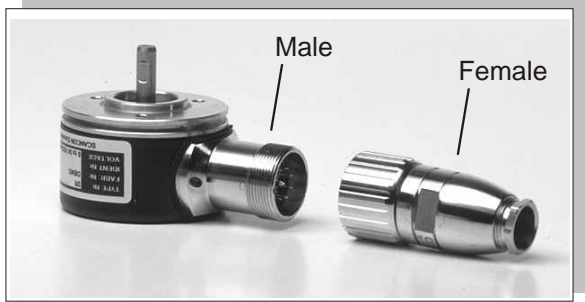
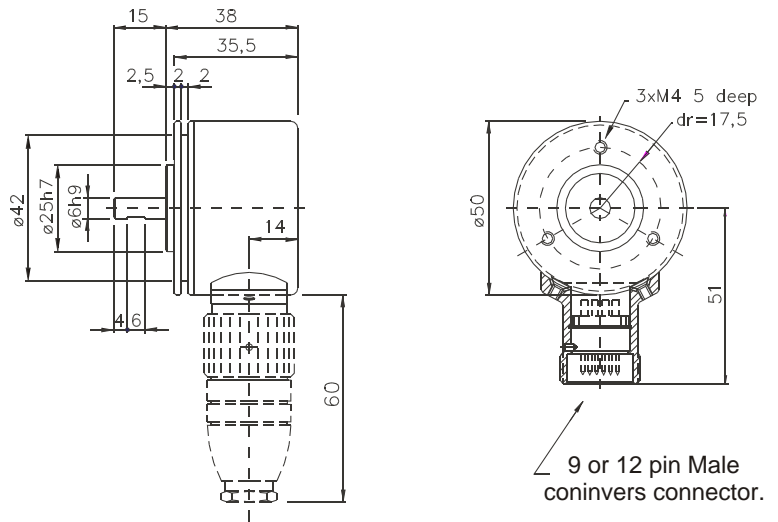


2R with Coninvers connector mounted sidwise (Radial mounted)

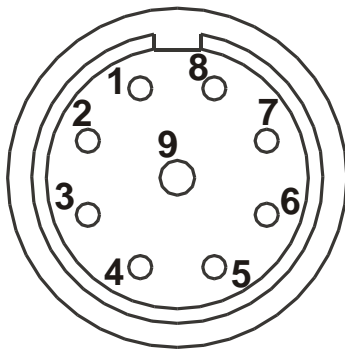


Available for all 2R and 2RH types



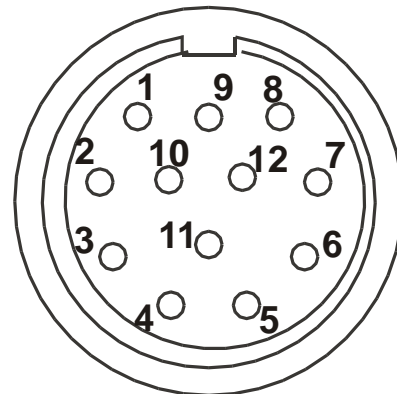
9 Pin

Male part on encoder



12 Pin

Male part on encoder



Pin No.	Standard (N)	Differential (D)	Color
1	Ch A	Ch A	Pink
2	Ch B	Ch B	Green
3	Ch Z	Ch Z	White
4	0-Volt	Ch A-inv	Grey
5	0-Volt	Ch B-inv	Yellow
6	0-Volt	Ch Z-inv	Brown
7	Vcc	Vcc	Red
8	0-Volt	0-Volt	Blue
9	Shield (Optional)		

Pin No.	Standard (N)	Differential (D)	Color
1	0-Volt	Ch B inv	Yellow
2	Not connected	Not connected	NC
3	Ch Z	Ch Z	White
4	0-Volt	Ch Z inv	Brown
5	Ch A	Ch A	Pink
6	0-Volt	Ch A inv	Grey
7	Not connected	Not connected	
8	CH B	Ch B	Green
9	Shield	Shield	
10	0-Volt	0-Volt	Blue
11	Not connected	Not connected	
12	Vcc	Vcc	Red

Male Coninvers-connector
RADIAL, Side wise. Mounted on encoder

TYPE	Order Code
Side Wise / Radial 9 Pin	9PINS
Side Wise / Radial 12 Pin	12PINS

Female Coninvers Cable-Connector without cable. View section 20, page 8 for cable mounting on Female Connector

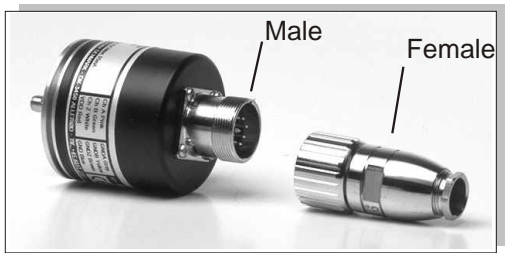
TYPE	Order no.
Coninvers 9 Pin Without cable	06811018
Coninvers 12 Pin Without cable	06811011



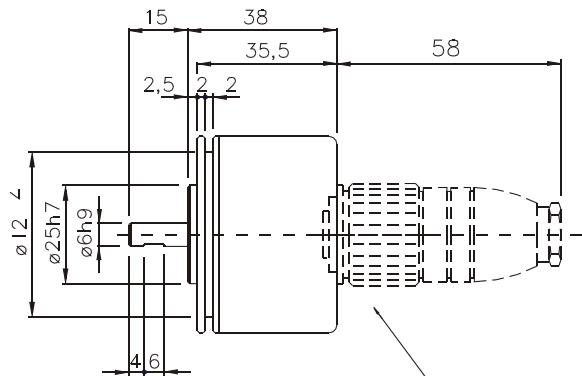
NOTE:

To order: Please replace "Length of Cable" Length of cable - in
encoder-order-code with code 9PINS or 12PINS for
Male Coninvers Connector Side Wise
View section 20 page 8 to order Female-mating-part with cable

2R with Coninvers connector axial mounted



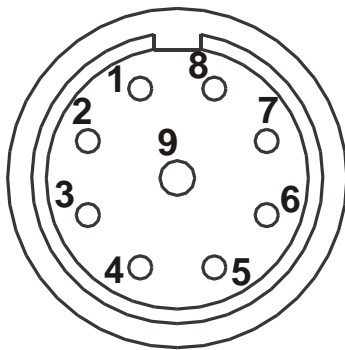
Available for all 2R type s



9 or 12 pin Conin conn

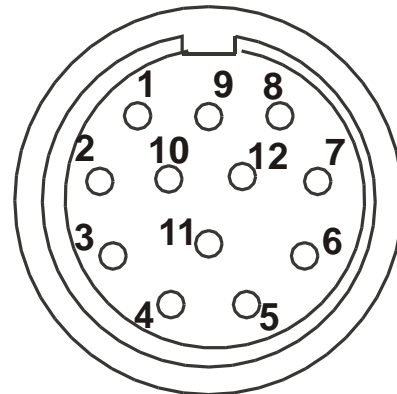
9 Pin

Male part on encoder



12 Pin

Male part on encoder



Pin No.	Standard (N)	Differential (D)	Color	Pin No.	Standard (N)	Differential (D)	Color
1	Ch A	Ch A	Pink	1	0-Volt	Ch B inv	Yellow
2	Ch B	Ch B	Green	2	Not connected	Not connected	NC
3	Ch Z	Ch Z	White	3	Ch Z	Ch Z	White
4	0-Volt	Ch A-inv	Grey	4	0-Volt	Ch Z inv	Brown
5	0-Volt	Ch B-inv	Yellow	5	Ch A	Ch A	Pink
6	0-Volt	Ch Z-inv	Brown	6	0-Volt	Ch A inv	Grey
7	Vcc	Vcc	Red	7	Not connected	Not connected	
8	0-Volt	0-Volt	Blue	8	CH B	Ch B	Green
9	Shield (Optional)			9	Shield	Shield	
				10	0-Volt	0-Volt	Blue
				11	Not connected	Not connected	
				12	Vcc	Vcc	Red

Male Coninvers-connector
AXIAL, Back Side. Mounted on encoder

TYPE	Order no.
Back side / Axial 9 Pin	9PINB
Back side / Axial 12 Pin	12PINB

Female Coninvers Cable-Connector without cable. View
section 20, page 8 for cable mounting on Female Connector

TYPE	Order no.
Coninvers 9 Pin Without cable	06811018
Coninvers 12 Pin Without cable	06811011




NOTE:


To order: Please replace "Length of Cable" Length of cable - in
encoder-order-code with code 9PINB or 12PINB for
Male Coninvers Connector on Back Side.
View section 20 page 8 to order Female-mating-part with cable

Female coninvers mating part connector incl. cable

Female Coninvers 9 pol cable connector:

Type	 Order number
Conin 9 pol incl. 1m. cable	70137267
Conin 9 pol incl. 2m. cable	70137268
Conin 9 pol incl. 3m. cable	70137269
Conin 9 pol incl. 4m. cable	70137270
Conin 9 pol incl. 5m. cable	70137271
Conin 9 pol incl. 6m. cable	70137272
Conin 9 pol incl. 10m. cable	70137273
Conin 9 pol incl. 15m. cable	70137274
Conin 9 pol incl. 20m. cable	70137275
Conin 9 pol incl. 25m. cable	70137276
Conin 9 pol incl. 30m. cable	70137277

Female Coninvers 12 pol cable connector:

Type	 Order number
Conin 12 pol incl. 1m. cable	70137278
Conin 12 pol incl. 2m. cable	70137279
Conin 12 pol incl. 3m. cable	70137280
Conin 12 pol incl. 4m. cable	70137281
Conin 12 pol incl. 5m. cable	70137282
Conin 12 pol incl. 6m. cable	70137283
Conin 12 pol incl. 10m. cable	70137284
Conin 12 pol incl. 15m. cable	70137285
Conin 12 pol incl. 20m. cable	70137286
Conin 12 pol incl. 25m. cable	70137287
Conin 12 pol incl. 30m. cable	70137288

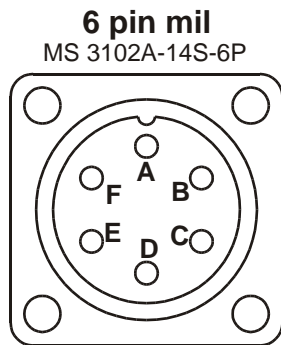
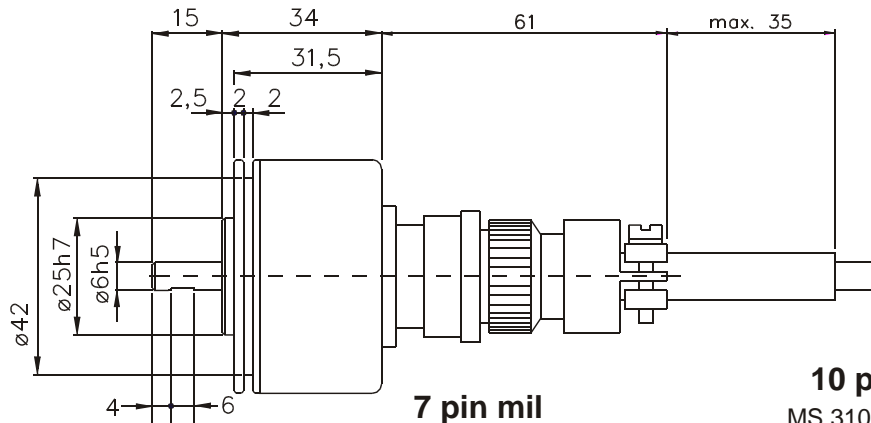
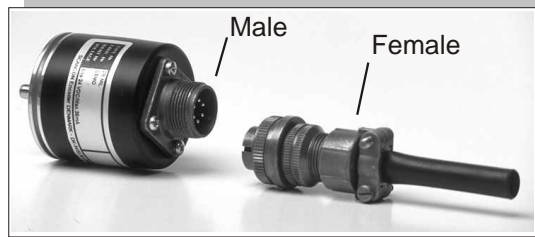


NOTE: To order, add Order Number in the end of Encoder-order-code to describe length of cable on connector, in this field

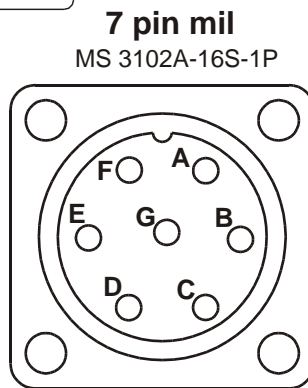
<input type="text"/>	<input type="text"/>	<input type="text"/>	<input type="text"/>	<input type="text"/>	<input type="text"/>	<input type="text"/>	<input type="text"/>
----------------------	----------------------	----------------------	----------------------	----------------------	----------------------	----------------------	----------------------

Accessories Order Number

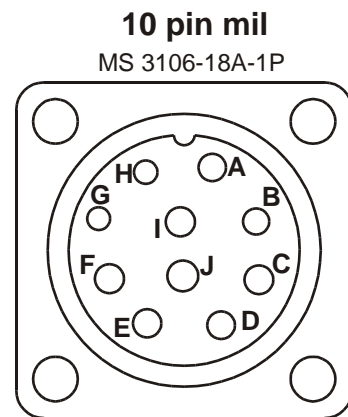
2R with Mil-connector axial mounted



- A = Ch A
- B = Ch B
- C = Ch Z
- D = +Vcc
- E = 0-Volt
- F = Shield



- A = +Vcc
- B = Ch A
- C = Ch B
- D = 0-Volt
- E = Shield
- F = Ch Z



- A = A
- B = A inv
- C = B
- D = B inv
- E = +
- F = -
- G = Z
- H = Z inv
- J = Shield

Mil-Connector (MALE) AXIAL, Back side.
Mounted on Encoder

TYPE	Order no.
Mil-A6	80146177
Mil-A7	80146178
Mil-A10	80146179

Mil-Cable-Connector (female)

TYPE	Order no.
Mil-K6	70137264
Mil-K7	70137265
Mil-K10	70137266



NOTE: To order: Please replace "Length of Cable" Length of cable - in encoder-order-code with order number of MALE MIL Connector.

To order Female-mating-part with cable use this field

- in Encoder Order Code.

Accessories Order Number

MIL-Female mating part is always with out cable unless other is specified