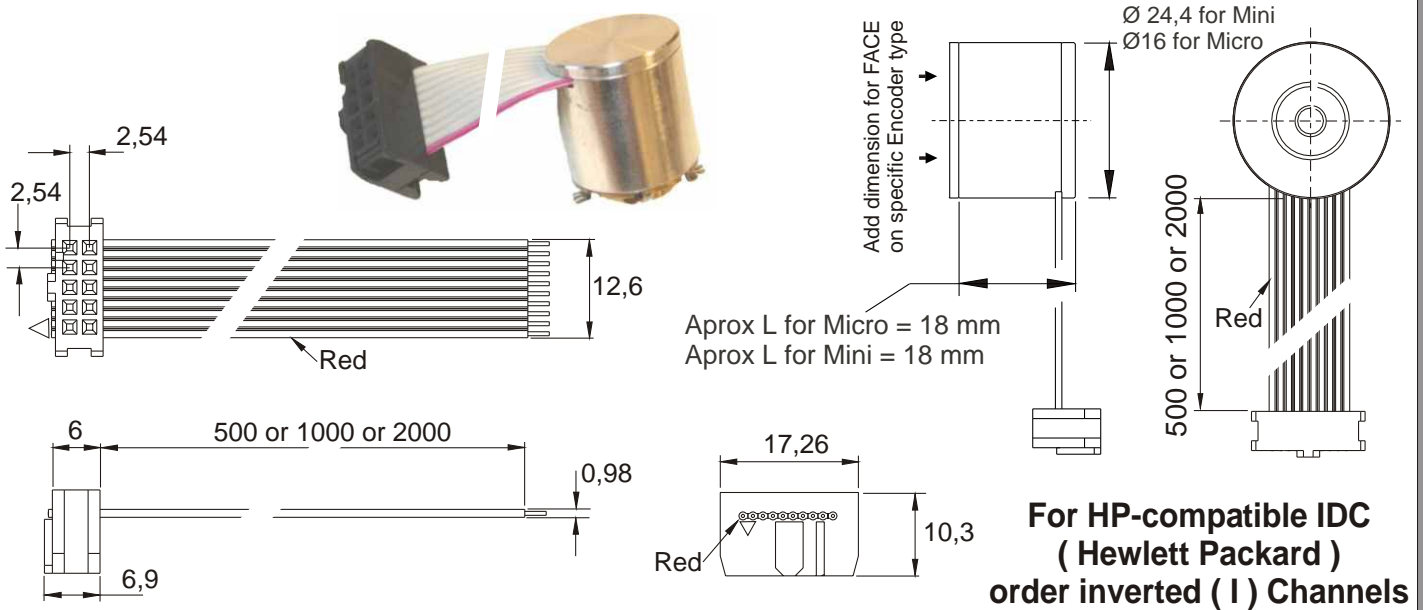


## MECHANICAL DIMENSIONS

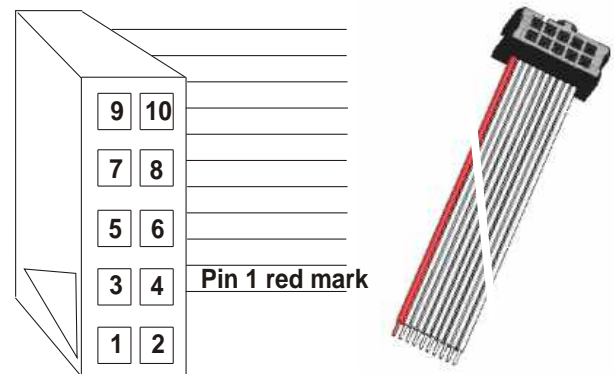


## CONNECTIONS

IDC PIN No.	Differential Output; D	Inverted Output; I (HP-compatible)
1	NC	A inv
2	Vcc	NC
3	0 volt (GND)	NC
4	NC	NC
5	A inv	NC
6	A	0-Volt
7	B inv	NC
8	B	B inv
9	Z inv	VCC
10	Z	Z

NOTE: Inverted also called HP-Standard (Hewlett Packard)

## CABLE AND PIN OUT



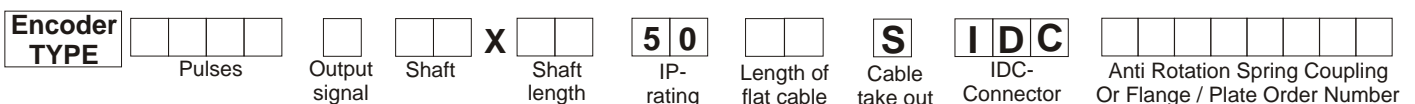
## Characteristics

- IP-rating: IP-50
- CE-marking not available
- Cable take out only side wise
- Only available with 0,5 meter, 1 meter and 2 meter
- Output signal Differential D or Inverted I only

## Available with Encoder TYPES:

Available for all Micro and Mini TYPES

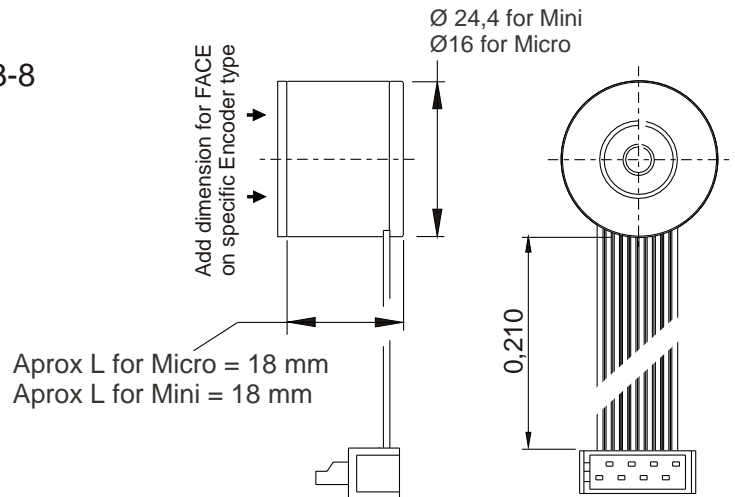
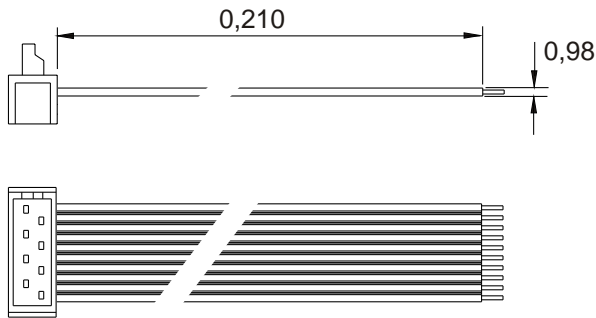
## Order Code for Encoders with Flat Cable and IDC connector



NOTE Output signal option; D = Differential or I = Inverted channels only.

## MECHANICAL DIMENSIONS

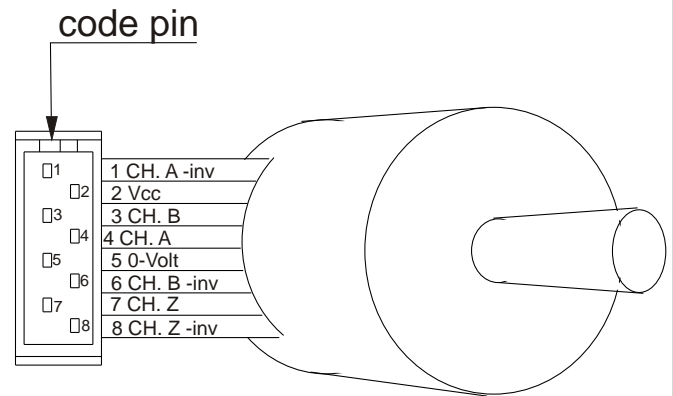
strd. 8pol. AMP connector male # 0-215-083-8




## CONNECTIONS

AMP PIN No.	Differential Output; D
1	A
2	Vcc +
3	B
4	A
5	0 - volt (GND)
6	B inv
7	Z
8	Z inv

## CABLE AND PIN OUT



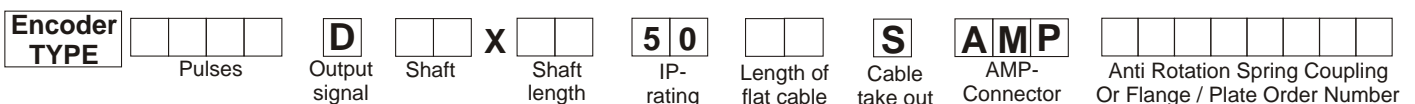
## Characteristics

- IP-rating: IP-50
- CE-marking not available 
- Cable take out only side wise
- Only available with 0,210 cable
- Output signal Differential D

## Available with Encoder TYPES:

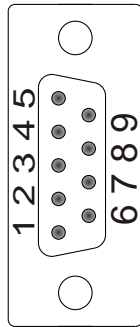
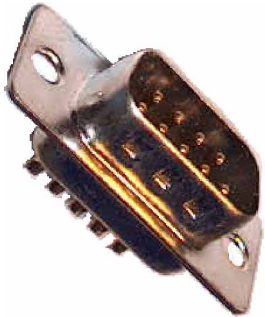
Available for all Micro and Mini TYPES

## Order Code for Encoders with Flat Cable and IDC connector

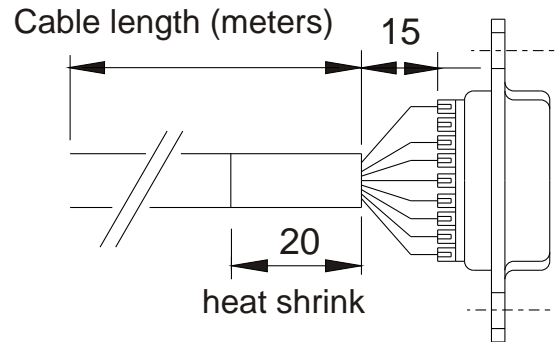


NOTE Output signal D = Differential

## D SUB 9PIN male in end of cable



male from front



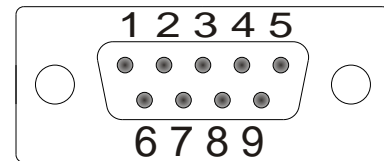
### Open or closed versions

#### CONNECTIONS

1) red	Vcc
2) blue	0-volt
3) pink	Channel A
4) grey	Channel A inv.
5) green	Channel B
6) yellow	Channel B inv.
7) white	Channel Z
8) brown	Channel Z inv.

#### CABLE AND PIN OUT

male from front



#### Characteristics

Note:

- Shield connected to encoder and connector housings
- Shield NOT connected to D SUB

#### Available with Encoder TYPES:

All types

#### Order Code for Encoders with SUB D connector

Add SUB after cable length **SUB**

## CONNECTORS

SCANCON offer mounting of connector in end of encoder cable. (Mounting have added cost)

Ask for drawing for connector and connections PIN out.

Following connectors are usually on stock at SCANCON

BEH  
Binder  
Coninvers  
Harting  
Lemo  
Molex  
Schabmüller  
Stoko  
Thomas & Betts  
Vensik