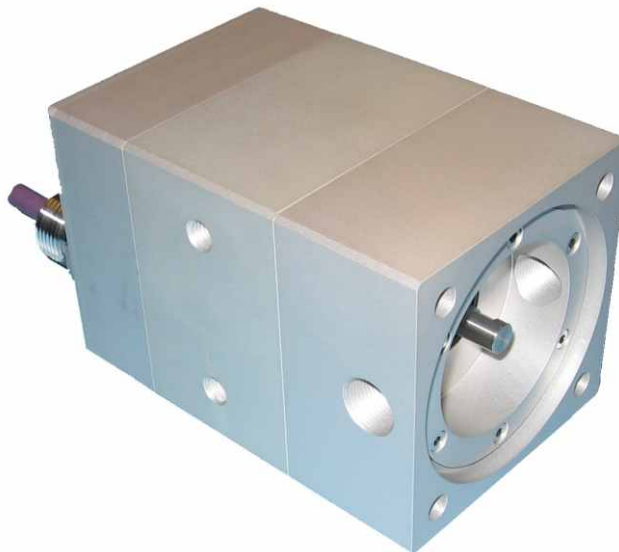




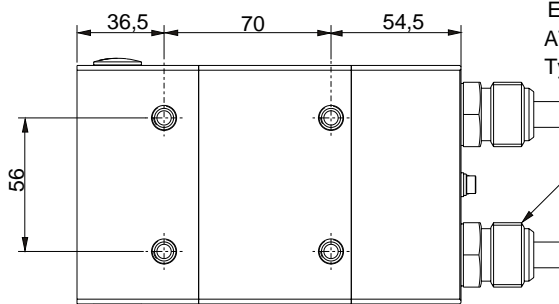
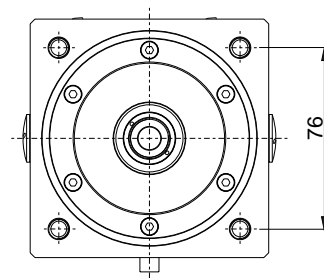
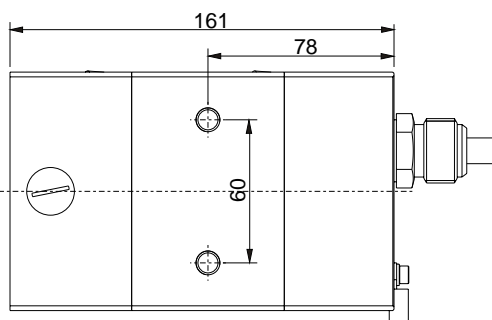
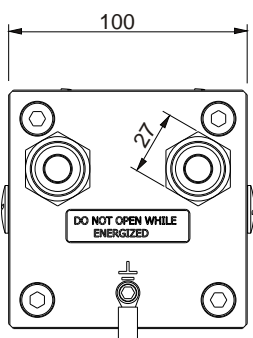
Explosion Proof Absolute Encoders



Construction options:

Seawater-proof Aluminum Housing. Stainless Steel shaft. Back cable takeout.
 Cable takeout: Standard or Cable Protection with hydraulic hose.
 Cable: Standard or Armoured cable
 For other options, view the "Models and Version, Ordering Description"
 for each type: SSI - Profibus - Canopen - Devicenet

Mechanical Dimensions



EX-Housing Type: EXAG-A-AL-10-20-66-A-FF
 ATEX Marking: CE 0539 EX II 2 G/D
 Type of Protection: EEx d IIC T6

Approval no: DEMKO 05 ATEX
 137350 -40~ C < T.amb< +70 ~ C

Manufactured under PQA
 Notification no.: 02 ATEX Q 0133034