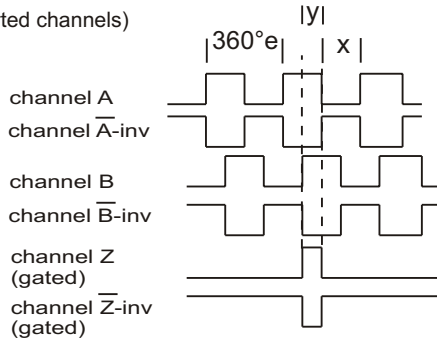


OUTPUT WAVEFORM

 Rotation: Clockwise (cw) from shaftside

(inv = inverted channels)



$X = 180^\circ e \pm 36^\circ e$ and $Y = 90^\circ e \pm 18^\circ e$
Z puls: Gated with A and B (standard)

Options: TTL or HTL compatible. Open Collector NPN or PNP
Gated Z-puls or none-gated Z-puls.
View more Output options in section 16 - page 1 to 2

CONNECTIONS

Color code Standard

Pink	Ch. A
Grey*	Ch. A Gnd
Green	Ch. B
Yellow*	Ch. B Gnd
White	Ch. Z
Brown*	Ch. Z Gnd
Red	Vcc
Blue*	Gnd

*Blue, grey, yellow and brown are internal connected

Color code Differential

Pink	Ch. A
Grey	Ch. A inv.
Green	Ch. B
Yellow	Ch. B inv.
White	Ch. Z
Brown	Ch. Z inv.
Red	Vcc
Blue	Gnd

ORDERING CODES

	Options	Ordering codes
Pulses pr. rev.:	No. of pulses	XXXXX
Output signal:	Normal, TP-Standard, A, B, Z (3 channel)	N
	TP-Differential: A, B, Z and A-inv, B-inv, Z-inv (6 channel)	D
	Line driver OL 7272 for extra long cable, up to 100 meters (Differential)	M
	Line driver chip 26C31 (V out low < 0,4 V) (RS-422A compatible @ 5V) Only 5 Volt (Differential)	L
Shaft dimensions Max deep 30 mm Tolerance G7	3/8" (ø9,525mm)	3/8
	ø10 mm	10
	ø12 mm	12
	ø14 mm	14
	ø15 mm	15
	5/8" (ø15,875mm)	5/8
	ø16 mm	16
IP-rating:	IP 65	65
Length of cable:	Standard 1 meter	01
	No. of meters	XX
Cable take out: (or connector)	Back (Axial)	B
	Side (Radial)	S
Anti rotation Spring coupling:	View Section 15 page 1 to 8	
Connector:	Coninvers Connector View Section 15 page 6 to 8	
More accessories Anti rotation spring and adaptors: View section 12 page 1 to 8		

PULSES/REV.

1	32	125	600	2048
2	36	150	635	2500
5	40	180	720 *	3000
6	50	200	800	3600
8	60	250	1000	4000
10	64	300	1024	4096
15	75	360	1131	5000
16	80	400	1250	9000
20	90	455	1500	
25	100	500	2000	
30				

* = Delivery without 0-puls only

Advanced Output Options:

Options Ordering codes

Normal Open Collector NPN NON
Differential Open Collector NPN DON

Normal Open Collector PNP NOP
Differential Open collector PNP DOP

To order, replace with
Output signal Output signal

2RHIF

Pulses

Output signal

H.-Shaft

65

IP-rating

Length of cable

Cable take out

Anti Rotation
Spring Coupling

Accessories Order Number