

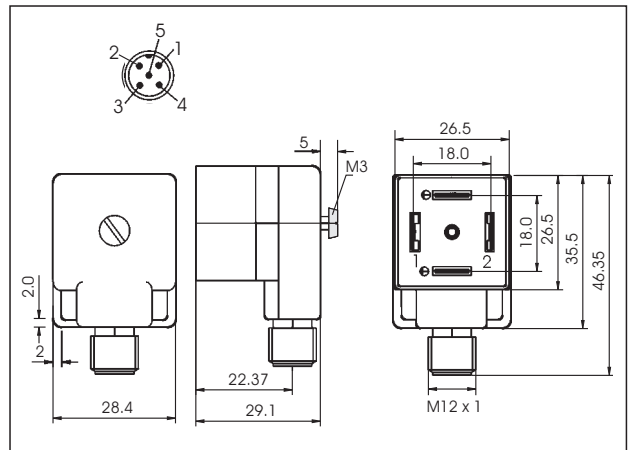
VALVE-CONNECTORS,IP67

View



- Valve connector according to DIN EN 175301-803
- Form A
- With LED function indicator, protection circuit with varistor
- Connected protective earth
- With M12(5pin) male receptacle connector

Dimensional data



Technical Data

Operating temperature : -25 °C /+80 °C

Housing/Molded body : TPU, self-extinguishing
M12 : CuZn,Pre-nickeled and tin-plated

Degree of Protection : IP 67

Contact : CuZn, nickel-plated and tin-plated

Contact Resistance : $\leq 5m\Omega$

Nominal current at 40 °C : 4A

Nominal Voltage : 24V

Rated Voltage : 32V

Pollution degree : 3

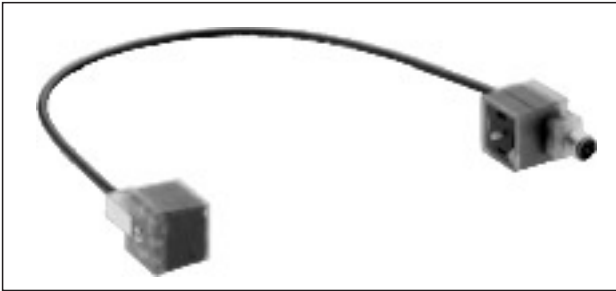
Catalog Number

Part-No	Poles	Face View of Female	Circuit Protection
V-MANAVY02x+ M12-5	2+ ⊕		

"L"-Standard length:2.0m,3.0m,5.0m,10.0m. other cable length or cable specifications on request.

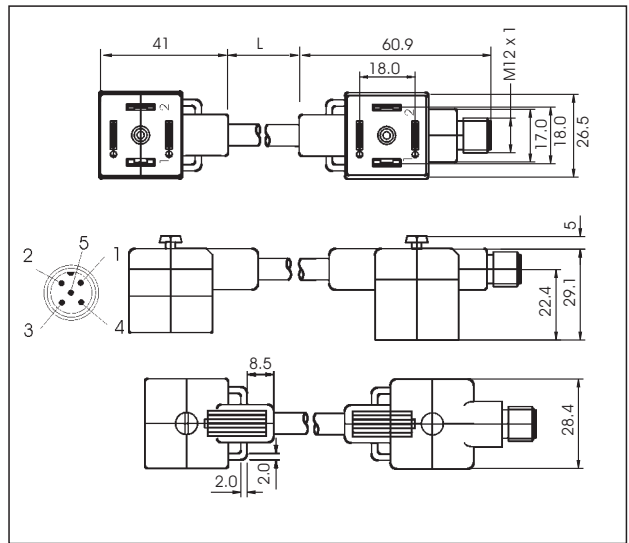
VALVE-CONNECTORS,IP67

View



Double solenoid valve adaptor (valve adaptor with integrated M12(5pin) male receptacle connector). According to DIN EN 175301-803, form A, with LED function indicator and varistor for voltage protection, connected protection earth.

Dimensional data



Technical Data

Operating temperature : -25 °C /+80 °C

Housing/Molded body : TPU, self-extinguishing

Degree of Protection : IP 67

Contact : CuZn, nickel-plated and tin-plated

Contact Resistance : $\leq 5m\Omega$

Nominal current at 40 °C : 4A

Nominal Voltage : 24V

Rated Voltage : 32V

Pollution degree : 3

Catalog Number

Part-No	Poles	Face View female	Color Code	Conductors		Outer Jacket		Circuit
				Gauge	Stranding	ϕ mm	Material	
V-MANAVU56x-M12 + V-FANAVU562	2+ 		1=brown 2=blue =green / yellow	0.5mm ²	64 x ϕ 0.10	5.5	PUR	

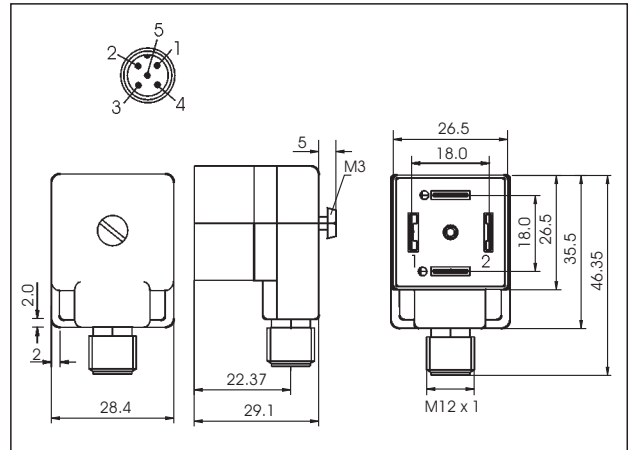
VALVE-CONNECTORS,IP67

View



- Connector for pressure switches according to DIN EN 175301-803
- Form A
- With LED operation and function indicator
- Connected protective earth
- With M12(5pin) male receptacle connector

Dimensional data



Technical Data

Operating temperature : -25 °C / +80 °C

Housing/Molded body : TPU, self-extinguishing
M12 : CuZn, Pre-nickel and tin-plated

Degree of Protection : IP 67

Contact : CuZn, nickel-plated and tin-plated

Contact Resistance : $\leq 5m\Omega$

Nominal current at 40 °C : 4A

Nominal Voltage : 24V DC

Rated Voltage : 32V

Pollution degree : 3

Catalog Number

Part-No	Poles	Face View of Female	Circuit Protection
V-MANATY02x+ M12-5	2+ 		

"L"=Standard length:2.0m,3.0m,5.0m,10.0m. other cable length or cable specifications on request.