

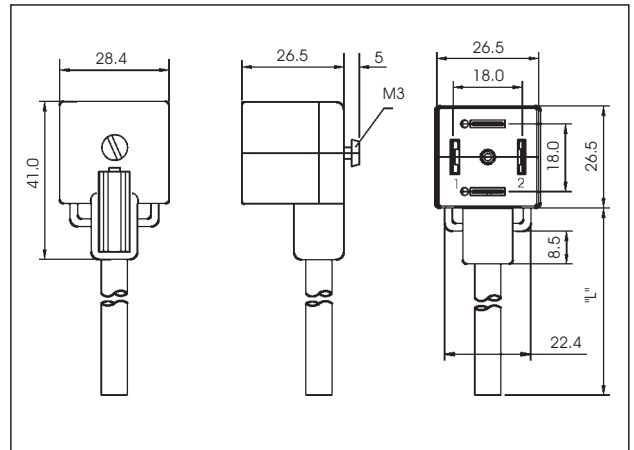
# VALVE-CONNECTORS, IP67

## View



- Valve connector according to DIN EN 175301-803
- Form A
- With built-in LED and varistor voltage protection
- Connected protective earth

## Dimensional data



## Technical Data

Operating temperature range : -25 °C /+80 °C

Housing/molded body : TPU, self-extinguishing

Degree of protection : IP 67

Contact : CuZn, nickel-plated and tin-plated

Contact Resistance :  $\leq 5m\Omega$

Nominal current at 40 °C : 4A

Nominal Voltage : 24V

Rated Voltage : 32V

Pollution degree : 3

## Catalog Number

Part-No	Poles	Face View female	Color Code	Conductors		Outer Jacket		Circuit Protection
				Guage	Stranding	$\phi$ mm	Material	
V-FANAVY052	2+ 		1 = brown 2 = blue = green / yellow	0.50mm <sup>2</sup>	16 x $\phi$ 0.20	5.5	PUR/PVC	
V-FANAVV552				0.50mm <sup>2</sup>	16 x $\phi$ 0.20	5.0	PVC irradiated	

"L"-Standard length:2.0m,3.0m,5.0m,10.0m. other cable length or cable specifications on request.

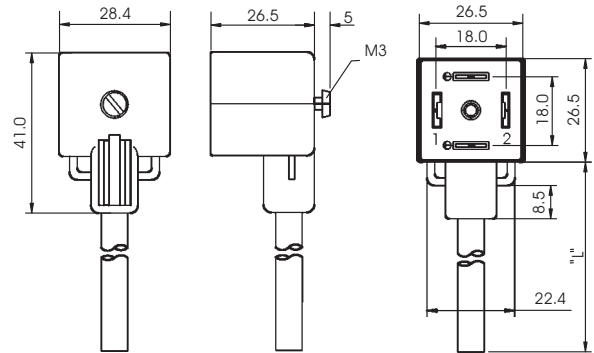
# VALVE-CONNECTORS, IP67

## View



- Valve connector according to DIN EN 175301-803
- Form A
- With built-in LED and suppressor diode voltage protection
- Connected protective earth

## Dimensional data



## Technical Data

Operating temperature : -25 °C /+80 °C  
 Housing/Molded body : TPU, self-extinguishing  
 Degree of Protection : IP 67  
 Contact : CuZn, nickel-plated and tin-plated

Contact Resistance :  $\leq 5m\Omega$   
 Nominal current at 40 °C : 4A  
 Nominal Voltage : 24V  
 Rated Voltage : 32V  
 Pollution degree : 3

## Catalog Number

Part-No	Poles	Face View female	Color Code	Conductors		Outer Jacket		Circuit Protection
				Guage	Stranding	$\phi$ mm	Material	
V-FANASY052	2+ 		1 = brown 2 = blue = green / yellow	0.50mm <sup>2</sup>	16x $\phi$ 0.20	5.5	PUR/PVC	
V-FANASV552				0.50mm <sup>2</sup>	16x $\phi$ 0.20	5.0	PVC irradiated	

"L"=Standard length:2.0m,3.0m,5.0m,10.0m. other cable length or cable specifications on request.

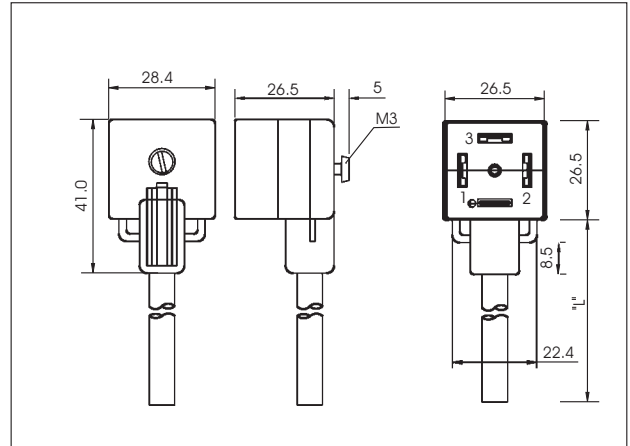
# VALVE-CONNECTORS, IP67

## View



- Connector for pressure switches
- According to DIN EN 175301-803, form A
- With LED operation and function indicator

## Dimensional data



## Technical Data

Operating temperature : -25 °C / +80 °C  
 Housing/Molded body : TPU, self-extinguishing  
 Degree of Protection : IP 67  
 Contact : CuZn, nickel-plated and tin-plated

Contact Resistance :  $\leq 5m\Omega$   
 Nominal current at 40 °C : 4A  
 Nominal Voltage : 24V DC  
 Rated Voltage : 32V  
 Pollution degree : 3

## Catalog Number

Part-No	Poles	Face View female	Color Code	Conductors		Outer Jacket		Circuit Protection
				Guage	Stranding	$\phi$ mm	Material	
V-FAZATU522	3+ 		1 = brown 2 = white 3 = black LED = blue $\oplus$ = green / yellow	0.50mm <sup>2</sup>	16 x $\phi$ 0.20	6.0	PUR	
V-FAZATV512				0.50mm <sup>2</sup>	16 x $\phi$ 0.20	6.0	PVC	

"L"=Standard length:2.0m,3.0m,5.0m,10.0m. other cable length or cable specifications on request.

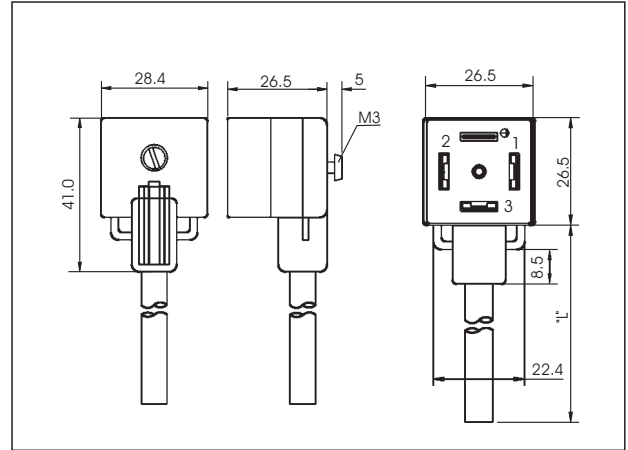
# VALVE-CONNECTORS, IP67

## View



- Valve connector accorded to DIN EN 175301-803
- Cable exit 180°
- Form A, with LED operation and function indicator
- For pressure switches

## Dimensional data



## Technical Data

Operating temperature : -25 °C / +80 °C  
 Housing/Molded body : TPU, self-extinguishing  
 Degree of Protection : IP 67  
 Contact : CuZn, nickel-plated and tin-plated

Contact Resistance :  $\leq 5m\Omega$   
 Nominal current at 40 °C : 4A  
 Nominal Voltage : 24V DC  
 Rated Voltage : 32V  
 Pollution degree : 3

## Catalog Number

Part-No	Poles	Face View female	Color Code	Conductors		Outer Jacket		Circuit Protection
				Guage	Stranding	$\phi$ mm	Material	
V-FAEATU522	3+ 		1 = brown 2 = white 3 = black LED = blue = green / yellow	0.50mm <sup>2</sup>	16x $\phi$ 0.20	6.0	PUR	
V-FAEATV512				0.50mm <sup>2</sup>	16x $\phi$ 0.20	6.0	PVC	

"L"=Standard length:2.0m,3.0m,5.0m,10.0m. other cable length or cable specifications on request.

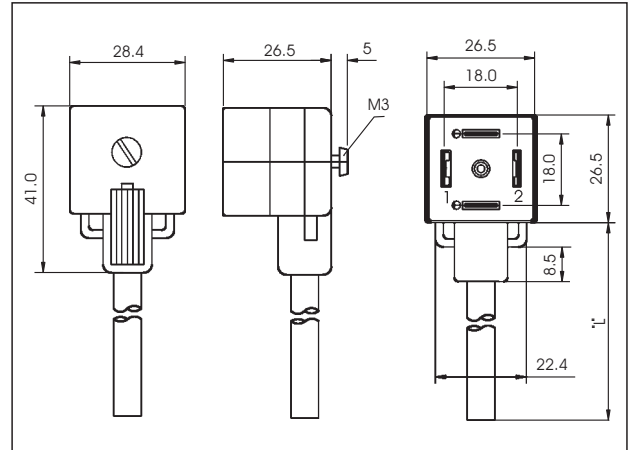
# VALVE-CONNECTORS,IP67

## View



- Valve connector according to DIN EN 175301-803
- Form A
- Connected protective earth
- Without circuitry

## Dimensional data



## Technical Data

Operating temperature : -25 °C / +80 °C

Housing/Molded body : TPU, self-extinguishing

Degree of Protection : IP 67

Contact : CuZn, nickel-plated and tin-plated

Contact Resistance :  $\leq 5m\Omega$

Nominal current at 40 °C : 4A

Nominal Voltage : 240V

Rated Voltage : 250V

Pollution degree : 3

## Catalog Number

Part-No	Poles	Face View female	Color Code	Conductors		Outer Jacket	
				Guage	Stranding	$\phi$ mm	Material
V-FANA0V532	2+ 		1 = brown 2 = blue = green / yellow	0.50mm <sup>2</sup>	16x $\phi$ 0.20	5.0	PVC

"L"=Standard length:2.0m,3.0m,5.0m,10.0m. other cable length or cable specifications on request.

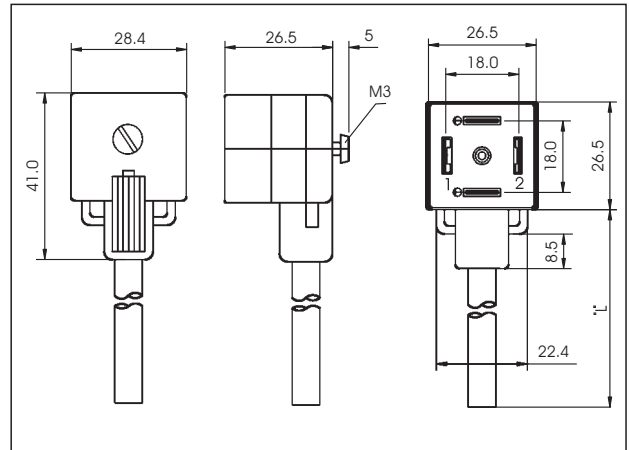
# VALVE-CONNECTORS,IP67

## View



- Valve connector according to DIN EN 175301-803
- Form A
- Connected protective earth
- With LED function indicator, recovery diode voltage protection

## Dimensional data



## Technical Data

Operating temperature : -25 °C /+80 °C  
 Housing/Molded body : TPU, self-extinguishing  
 Degree of Protection : IP 67  
 Contact : CuZn, nickel-plated and tin-plated

Contact Resistance :  $\leq 5m\Omega$   
 Nominal current at 40 °C : 4A  
 Nominal Voltage : 24V  
 Rated Voltage : 32V  
 Pollution degree : 3

## Catalog Number

Part-No	Poles	Face View female	Color Code	Conductors		Outer Jacket	
				Guage	Stranding	$\phi$ mm	Material
V-FANAKV532	2+ 		1 = brown 2 = blue = green / yellow	0.50mm <sup>2</sup>	16x $\phi$ 0.20	5.0	PVC

"L"=Standard length:2.0m,3.0m,5.0m,10.0m. other cable length or cable specifications on request.