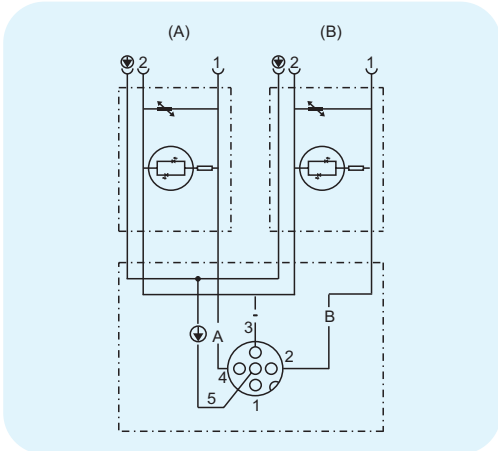
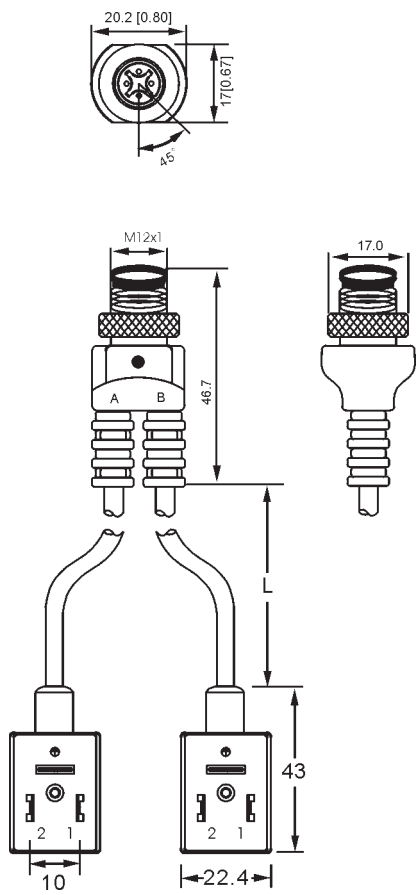
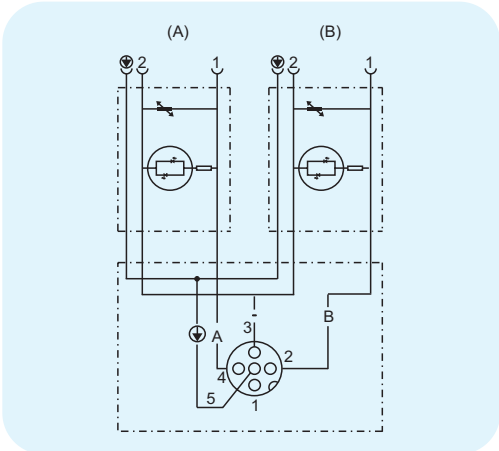
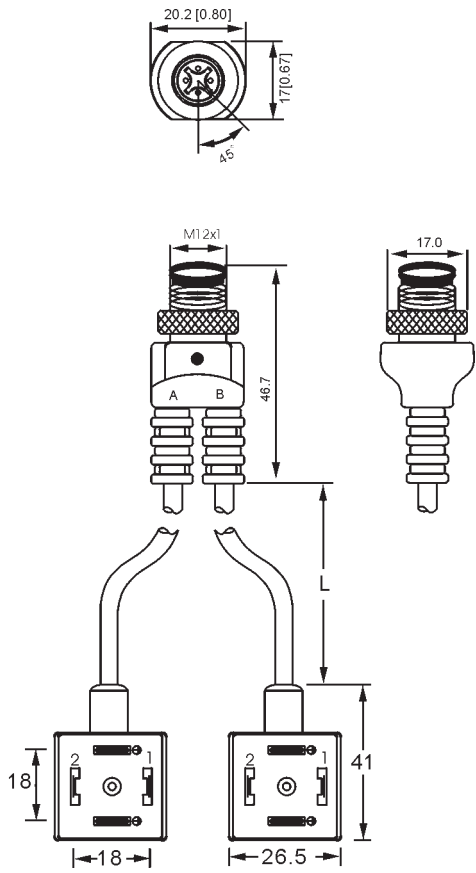


SPLITTERS WITH VALVE-CONNECTORS



SPLITTERS WITH VALVE-CONNECTORS

Description

Micro Splitters with valve connectors
 Variety of standard cable lengths
 Outstanding resistance to oils and chemicals

Technical Data

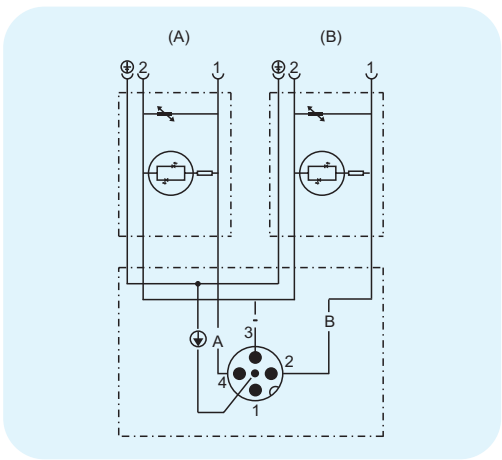
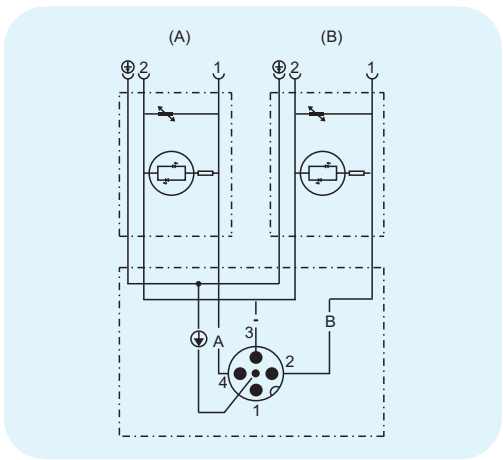
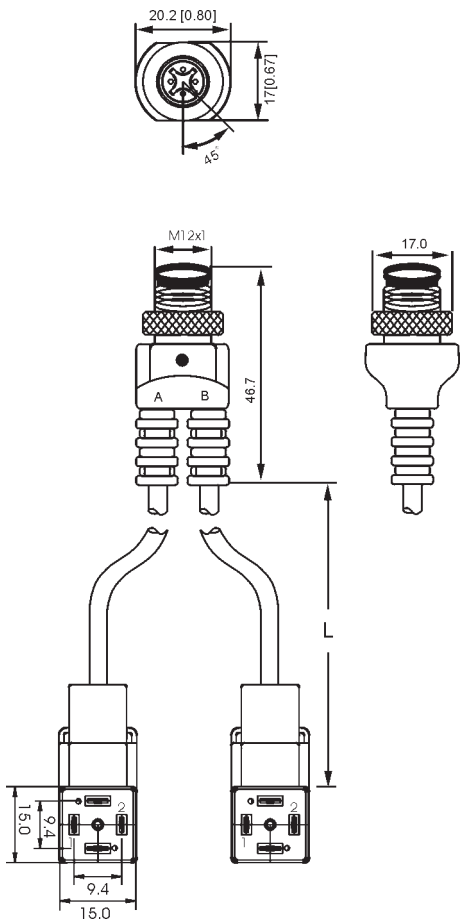
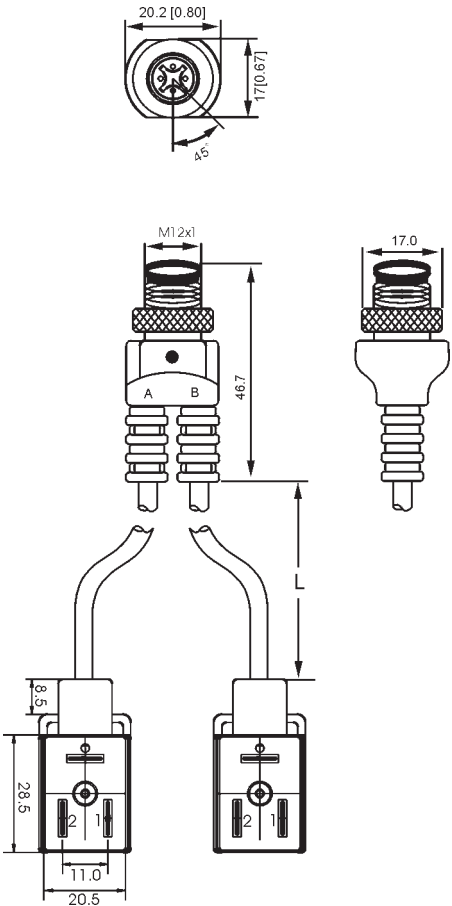
1.Application Class:	-25 °C to +90 °C	Working Voltage:	10-30VDC(w/LED)
2.Materials:		Insulation Resistance:	>10 ⁹ Ω
Molded Body:	PUR(Polyurethane),Orange	4.Mechanical Data:	
Contact:	Brass, gold over nickel plating	Insertion Force (contact):	≤ 2.0N(.45LBS)
Insert:	PUR(Polyurethane),black	Withdrawal Force (contact):	≥ 0.5N(.11LBS)
Coupling Nut:	Brass,nickel plated	Protection:	Ip67, NEMA 6(only in fully locked position)
DIN Body:	Polypropylene		
3.Electrical Date:			
Contact Resistance:	≤ 5m Ω		
Current Rating	4A		

Order Information

Part Number	Face View	Description
U2-R5/3V-FANAVY052		Splitter with two Form A valve connectors, which featured with built-in LED and varistor for voltage protection, connected protective earth.
U2-R5/3V-FANAVV552		
U2-R5/3V-FAZBVY052		Splitter with two Form B valve connectors, which featured with built-in LED and varistor for voltage protection.
U2-R5/3V-FAZBVV552		

"L"=Standard length:2.0m,3.0m,5.0m,10.0m. other cable length or cable specifications on request.

SPLITTERS WITH VALVE-CONNECTORS



SPLITTERS WITH VALVE-CONNECTORS

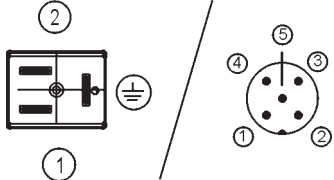
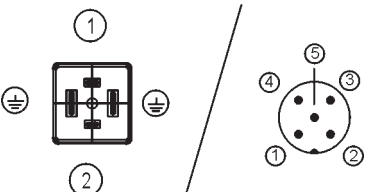
Description

Micro Splitters with valve connectors
 Variety of standard cable lengths
 Outstanding resistance to oils and chemicals

Technical Data

1.Application Class:	-25 °C to +90 °C	Working Voltage:	10-30VDC(with LED)
2.Materials:		Insulation Resistance:	>10 ⁹ Ω
Molded Body:	PUR(Polyurethane),Orange	4.Mechanical Data:	
Contact:	Brass, gold over nickel plating	Insertion Force (contact):	≤ 2.0N(.45LBS)
Insert:	PUR(Polyurethane),black	Withdrawal Force (contact):	≥ 0.5N(.11LBS)
Coupling Nut:	Brass,nickel plated	Protection:	Ip67, NEMA 6(only in fully locked position)
DIN Body:	Polypropylene		
3.Electrical Date:			
Contact Resistance:	≤ 5m Ω		
Current Rating	4A		

Order Information

Part Number	Face View	Description
U2-R5/3V-FAZDVY052		Splitter with two Form B valve connectors, which featured with built-in LED and varistor for voltage protection, connected protective earth.
U2-R5/3V-FAZDVV552		
U2-R5/3V-FANGVY052		Splitter with two Form C valve connectors, which featured with built-in LED and varistor for voltage protection, connected protective earth.
U2-R5/3V-FANGVV552		

"L"=Standard length:2.0m,3.0m,5.0m,10.0m. other cable length or cable specifications on request.