

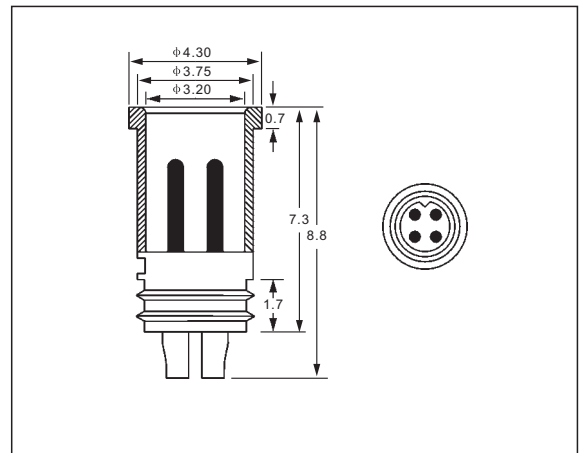
ULTRA MINI-STYLE QUICK DISCONNECT CABLES

View



- Ultra mini-style plug
- Male style

Dimensional data



Technical Data

Application Class: HLE acc. to DIN 40040
(-25 °C / +110 °C / ≤ 75%rF)

Moulded Body: PA, self-extinguishing

Nominal Voltage: 60VAC/75VDC
250VAC/300VDC (Solder Contacts potted with epoxy)

Contact: CuZn, pre-nickel and 0.8 microns gold-plated

Nominal Power: 4A

Mode of Connection: Solder types

O-Ring: Viton

Protection: IP68

Test Voltage: 4 poles 2.0 KV eff./60s.

Insulation Resistance: > 10⁹ Ω

Catalog Number

Part-No	Poles	Face View male	Shaft-φ mm	Ventilation hole φ mm
M-MS3	3		3.3mm	—
M-MS4	4		3.3mm	—