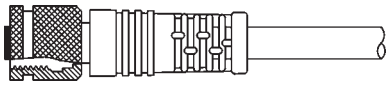
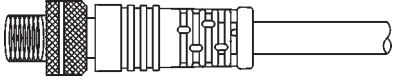


# ULTRA MINI-STYLE INDEX



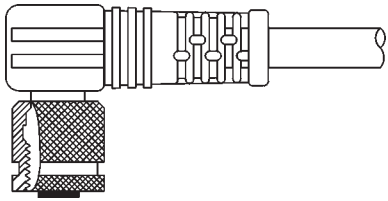
Page:A-02

Ultra Mini-style/Female/Straight



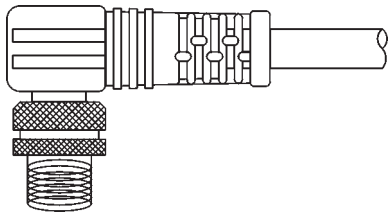
Page:A-03

Ultra Mini-style/Male/Straight



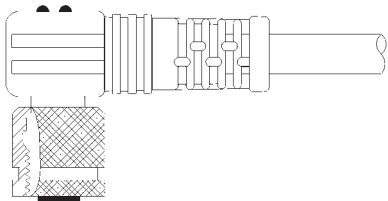
Page:A-04

Ultra Mini-style/Female/Right Angle



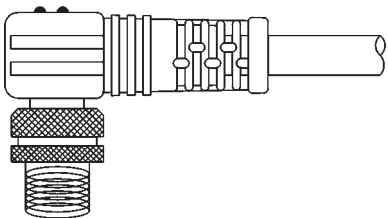
Page:A-05

Ultra Mini-style/Male/Right Angle



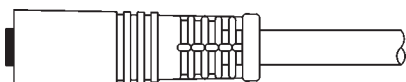
Page:A-06

Ultra Mini-style/Female  
Right Angle/With LED



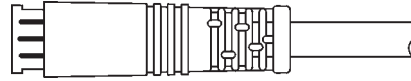
Page:A-08

Ultra Mini-style/Male  
Right Angle/With LED



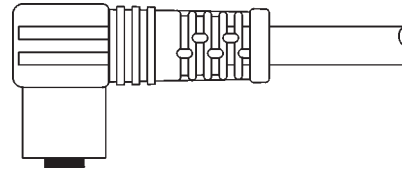
Page:A-10

Ultra Mini-style/Female/Straight



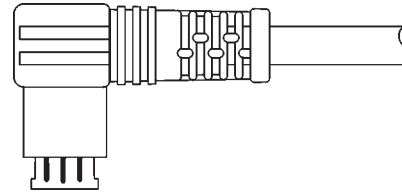
Page:A-11

Ultra Mini-style/Male/Straight



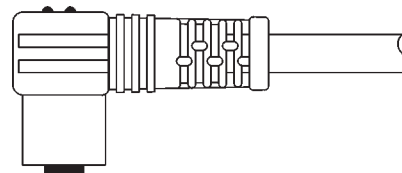
Page:A-12

Ultra Mini-style/Female/Right Angle



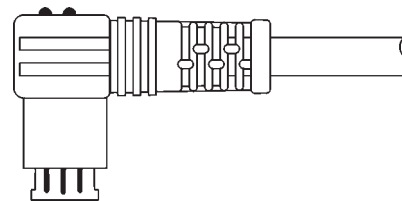
Page:A-13

Ultra Mini-style/Male/Right Angle



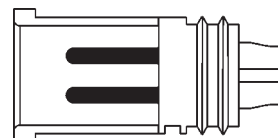
Page:A-14

Ultra Mini-style/Female  
Right Angle/With LED



Page:A-16

Ultra Mini-style/Male  
Right Angle/With LED



Page:A-18

Plug/Male

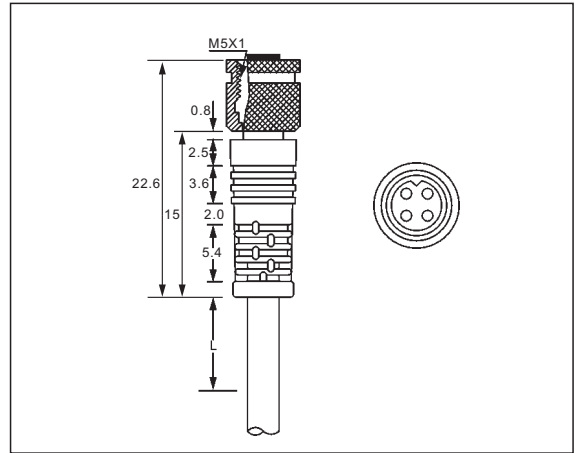
# ULTRA MINI-STYLE QUICK DISCONNECT CABLES

## View



- Female ultra mini-style
- Straight
- Screw locking with (auto) securing safety nut
- With moulded cable

## Dimensional data



## Technical Data

Application Class: HNE acc.to DIN 40040  
(-25°C/+90°C/≤75%rF)

Moulded Body: TPU, self-extinguishing

Nominal Power: 4A

Nominal Voltage: 60VAC/75VDC

Contact: CuZn, pre-nickeled and  
0.8microns gold-plated

O-Ring: Viton

Body: TPU, self-extinguishing

Securing Safety Nut: Nickel plated brass

Protection: IP 67

Contact Resistance: ≤5mΩ

Insulation Group: C acc.to VDE 0110

Test Voltage: 1.5KV eff./60s.

Insulation Resistance: >10<sup>9</sup>Ω

## Catalog Number

Part-No	Poles	Face View Female	Color Code	Conductors		Outer Jacket	
				Guage	Stranding	φ mm	Material
M-FS4/3TZV1182	4		1=brown 2=- 3=blue 4=black	0.18mm <sup>2</sup>	36xφ0.08	3.0	PVC
M-FS4/3TZY1192	4		1=brown 2=- 3=blue 4=black	0.18mm <sup>2</sup>	36xφ0.08	3.0	PUR/PVC
M-FS4TZV1202	4		1=brown 2=white 3=blue 4=black	0.18mm <sup>2</sup>	36xφ0.08	3.0	PVC
M-FS4TZY1212	4		1=brown 2=white 3=blue 4=black	0.18mm <sup>2</sup>	36xφ0.08	3.0	PUR/PVC

Standard length: 2.0 m, 5.0 m, 7.5 m, 10.0 m. Other cable length or cable specifications on request.

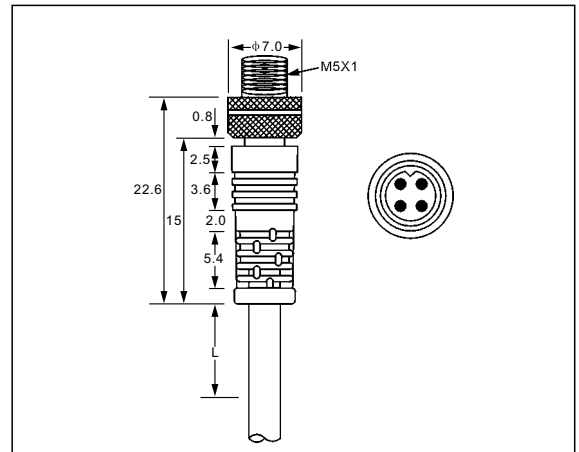
# ULTRA MINI-STYLE QUICK DISCONNECT CABLES

## View



- Male ultra mini-style
- Straight
- Screw locking with (auto) securing safety nut
- With moulded cable

## Dimensional data



## Technical Data

Application Class: HNE acc.to DIN 40040  
(-25°C/+90°C/≤75%rF)

Moulded Body: TPU, self-extinguishing

Nominal Power: 4A

Nominal Voltage: 60VAC/75VDC

Contact: CuZn, pre-nickeled and  
0.8microns gold-plated

O-Ring: Viton

Body: TPU, self-extinguishing

Securing Safety Nut: Nickel plated brass

Protection: IP 67

Contact Resistance: ≤5m Ω

Insulation Group: C acc.to VDE 0110

Test Voltage: 1.5KV eff./60s.

Insulation Resistance: >10<sup>9</sup> Ω

## Catalog Number

Part-No	Poles	Face View male	Color Code	Conductors		Outer Jacket	
				Guage	Stranding	φ mm	Material
M-MS4/3TZV1182	4		1=brown 2=- 3=blue 4=black	0.18mm <sup>2</sup>	36xφ0.08	3.0	PVC
M-MS4/3TZY1192	4		1=brown 2=- 3=blue 4=black	0.18mm <sup>2</sup>	36xφ0.08	3.0	PUR/PVC
M-MS4TZV1202	4		1=brown 2=white 3=blue 4=black	0.18mm <sup>2</sup>	36xφ0.08	3.0	PVC
M-MS4TZY1212	4		1=brown 2=white 3=blue 4=black	0.18mm <sup>2</sup>	36xφ0.08	3.0	PUR/PVC

Standard length: 2.0 m, 5.0 m, 7.5 m, 10.0 m. Other cable length or cable specifications on request.

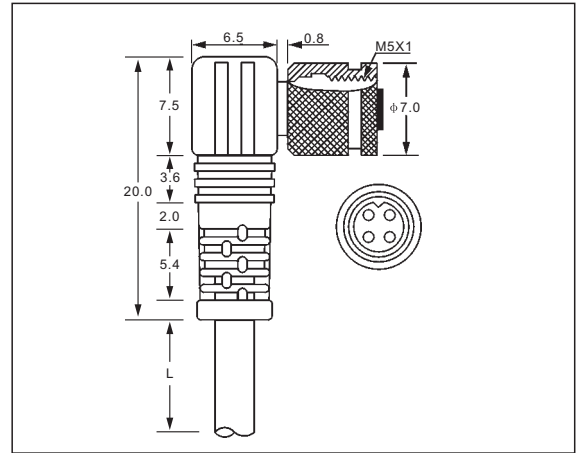
# ULTRA MINI-STYLE QUICK DISCONNECT CABLES

## View



- Female ultra mini-style
- Right angle
- Screw locking with (auto) securing safety nut
- With moulded cable

## Dimensional data



## Technical Data

Application Class: HNE acc.to DIN 40040  
(-25°C/+90°C/≤75%rF)

Moulded Body: TPU, self-extinguishing

Nominal Power: 4A

Nominal Voltage: 60VAC/75VDC

Contact: CuZn, pre-nickeled and  
0.8microns gold-plated

O-Ring: Viton

Body: TPU, self-extinguishing

Securing Safety Nut: Nickel plated brass

Protection: IP 67

Contact Resistance: ≤5m Ω

Insulation Group: C acc.to VDE 0110

Test Voltage: 1.5KV eff./60s.

Insulation Resistance: >10<sup>9</sup> Ω

## Catalog Number

Part-No	Poles	Face View Female	Color Code	Conductors		Outer Jacket	
				Guage	Stranding	φ mm	Material
M-FA4/3TZV1182	4		1=brown 2=- 3=blue 4=black	0.18mm <sup>2</sup>	36xφ0.08	3.0	PVC
M-FA4/3TZY1192	4		1=brown 2=- 3=blue 4=black	0.18mm <sup>2</sup>	36xφ0.08	3.0	PUR/PVC
M-FA4TZV1202	4		1=brown 2=white 3=blue 4=black	0.18mm <sup>2</sup>	36xφ0.08	3.0	PVC
M-FA4TZY1212	4		1=brown 2=white 3=blue 4=black	0.18mm <sup>2</sup>	36xφ0.08	3.0	PUR/PVC

Standard length: 2.0 m, 5.0 m, 7.5 m, 10.0 m. Other cable length or cable specifications on request.

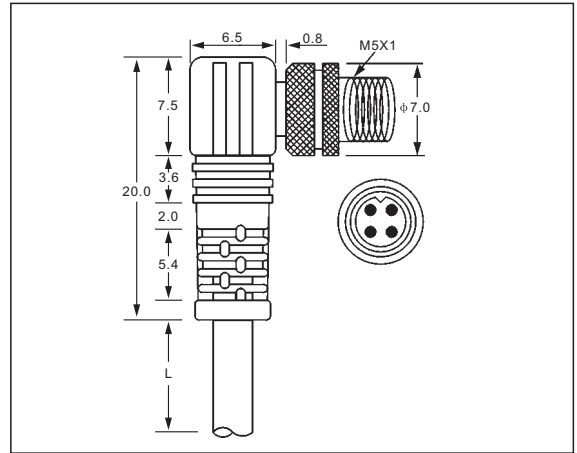
# ULTRA MINI-STYLE QUICK DISCONNECT CABLES

## View



- Male ultra mini-style
- Right angle
- Screw locking with (auto) securing safety nut
- With moulded cable

## Dimensional data



## Technical Data

Application Class: HNE acc.to DIN 40040  
(-25°C/+90°C/≤75%rF)

Moulded Body: TPU, self-extinguishing

Nominal Power: 4A

Nominal Voltage: 60VAC/75VDC

Contact: CuZn, pre-nickeled and  
0.8microns gold-plated

O-Ring: Viton

Body: TPU, self-extinguishing

Securing Safety Nut: Nickel plated brass

Protection: IP 67

Contact Resistance: ≤5m Ω

Insulation Group: C acc.to VDE 0110

Test Voltage: 1.5KV eff./60s.

Insulation Resistance: >10<sup>9</sup> Ω

## Catalog Number

Part-No	Poles	Face View male	Color Code	Conductors		Outer Jacket	
				Guage	Stranding	φ mm	Material
M-MA4/3TZV1182	4		1=brown 2=- 3=blue 4=black	0.18mm <sup>2</sup>	36xφ0.08	3.0	PVC
M-MA4/3TZY1192	4		1=brown 2=- 3=blue 4=black	0.18mm <sup>2</sup>	36xφ0.08	3.0	PUR/PVC
M-MA4TZV1202	4		1=brown 2=white 3=blue 4=black	0.18mm <sup>2</sup>	36xφ0.08	3.0	PVC
M-MA4TZY1212	4		1=brown 2=white 3=blue 4=black	0.18mm <sup>2</sup>	36xφ0.08	3.0	PUR/PVC

Standard length: 2.0 m, 5.0 m, 7.5 m, 10.0 m. Other cable length or cable specifications on request.

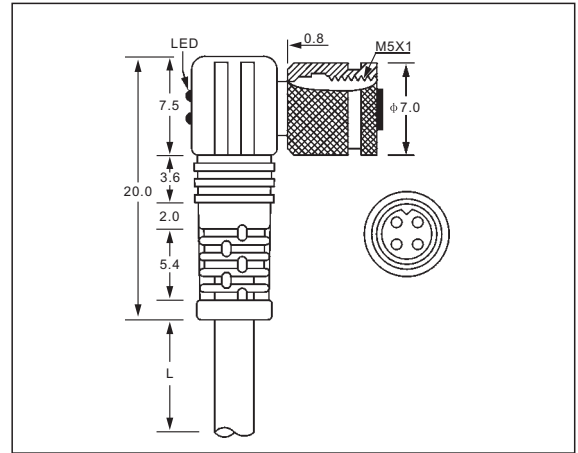
# ULTRA MINI-STYLE QUICK DISCONNECT CABLES

## View



- Female ultra mini-style
- Right angle
- Screw locking with (auto) securing safety nut
- With moulded cable

## Dimensional data



## Technical Data

Application Class: HNE acc.to DIN 40040  
(-25°C/+90°C/≤75%rF)

Moulded Body: TPU, self-extinguishing

Nominal Power: 4A

Nominal Voltage: 60VAC/75VDC

Contact: CuZn, pre-nickeled and  
0.8microns gold-plated

O-Ring: Viton

Body: TPU, self-extinguishing

Securing Safety Nut: Nickel plated brass

Protection: IP 67

Contact Resistance: ≤5m Ω

Insulation Group: C acc.to VDE 0110

Test Voltage: 1.5KV eff./60s.

Insulation Resistance: >10<sup>9</sup> Ω

## Catalog Number

Part-No	Poles	Face View Female	Color Code	Conductors		Outer Jacket		Circuit LED-indicator	
				Guage	Stranding	φ mm	Material		
M-FA4/3TPV1182/A	4		1=brown 2=- 3=blue 4=black	0.18mm <sup>2</sup>	36xφ0.08	3.0	PVC	<p>A type pnp-normally open =yellow-green</p>	
M-FA4/3TPY1192/A							PUR/PVC		
M-FA4/3TPV1182/H	4		1=brown 2=black 3=blue 4=-	0.18mm <sup>2</sup>	36xφ0.08	3.0	PVC		<p>H type pnp-normally closed =yellow-green</p>
M-FA4/3TPY1192/H							PUR/PVC		

Standard length: 2.0 m, 5.0 m, 7.5 m, 10.0 m. Other cable length or cable specifications on request.

# ULTRA MINI-STYLE QUICK DISCONNECT CABLES

Catalog Number								
Part-No	Poles	Face View Female	Color Code	Conductors		Outer Jacket		Circuit LED-indicator
				Guage	Stranding	φ mm	Material	
M-FA4/3TNV1182/C	4		1=brown 2=- 3=blue 4=black	0.18mm <sup>2</sup>	36xφ0.08	3.0	PVC	<p>C type npn-normally open =yellow-green</p>
M-FA4/3TNY1192/C							PUR/PVC	
M-FA4TPV1202/F	4		1=brown 2=white 3=blue 4=black	0.18mm <sup>2</sup>	36xφ0.08	3.0	PVC	<p>F type pnp-normally closed/open =yellow-green</p>
M-FA4TPY1212/F							PUR/PVC	
M-FA4TNV1202/G	4		1=brown 2=white 3=blue 4=black	0.18mm <sup>2</sup>	36xφ0.08	3.0	PVC	<p>G type npn-normally closed/open =yellow-green</p>
M-FA4TNY1212/G							PUR/PVC	
M-FA4TPV1202/P	4		1=brown 2=white 3=blue 4=black	0.18mm <sup>2</sup>	36xφ0.08	3.0	PVC	<p>P type pnp-normally closed/open =yellow-yellow-green</p>
M-FA4TPY1212/P							PUR/PVC	

Standard length: 2.0 m, 5.0 m, 7.5 m, 10.0 m. Other cable length or cable specifications on request.

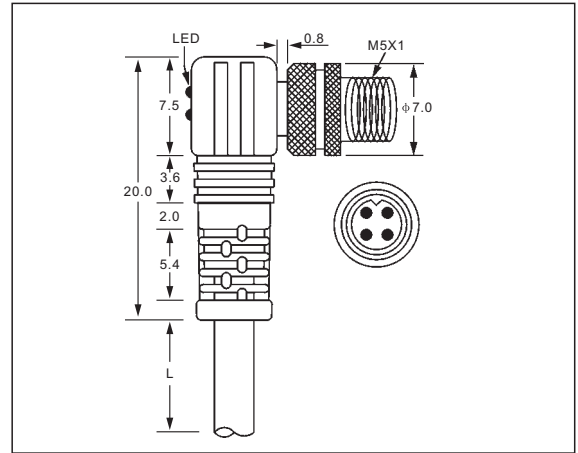
# ULTRA MINI-STYLE QUICK DISCONNECT CABLES

## View



- Male ultra mini-style
- Right angle
- Screw locking with (auto) securing safety nut
- With moulded cable

## Dimensional data



## Technical Data

Application Class: HNE acc.to DIN 40040  
(-25°C/+90°C/≤75%rF)

Moulded Body: TPU, self-extinguishing

Nominal Power: 4A

Nominal Voltage: 60VAC/75VDC

Contact: CuZn, pre-nickeled and  
0.8microns gold-plated

O-Ring: Viton

Body: TPU, self-extinguishing

Securing Safety Nut: Nickel plated brass

Protection: IP 67

Contact Resistance: ≤5m Ω

Insulation Group: C acc.to VDE 0110

Test Voltage: 1.5KV eff./60s.

Insulation Resistance: >10<sup>9</sup> Ω

## Catalog Number

Part-No	Poles	Face View Male	Color Code	Conductors		Outer Jacket		Circuit LED-indicator
				Guage	Stranding	φ mm	Material	
M-MA4/3TPV1182/A	4		1=brown 2=- 3=blue 4=black	0.18mm <sup>2</sup>	36xφ0.08	3.0	PVC	<p>A type pnp-normally open =yellow-green</p>
M-MA4/3TPY1192/A							PUR/PVC	
M-MA4/3TPV1182/H	4		1=brown 2=black 3=blue 4=-	0.18mm <sup>2</sup>	36xφ0.08	3.0	PVC	<p>H type pnp-normally closed =yellow-green</p>
M-MA4/3TPY1192/H							PUR/PVC	

Standard length: 2.0 m, 5.0 m, 7.5 m, 10.0 m. Other cable length or cable specifications on request.



# ULTRA MINI-STYLE QUICK DISCONNECT CABLES

Catalog Number								
Part-No	Poles	Face View Male	Color Code	Conductors		Outer Jacket		Circuit LED-indicator
				Guage	Stranding	φ mm	Material	
M-MA4/3TNV1182/C	4		1=brown 2=- 3=blue 4=black	0.18mm <sup>2</sup>	36xφ0.08	3.0	PVC	<p>C type npn-normally open =yellow-green</p>
M-MA4/3TNY1192/C							PUR/PVC	
M-MA4TPV1202/F	4		1=brown 2=white 3=blue 4=black	0.18mm <sup>2</sup>	36xφ0.08	3.0	PVC	<p>F type pnp-normally closed/open =yellow-green</p>
M-MA4TPY1212/F							PUR/PVC	
M-MA4TNV1202/G	4		1=brown 2=white 3=blue 4=black	0.18mm <sup>2</sup>	36xφ0.08	3.0	PVC	<p>G type npn-normally closed/open =yellow-green</p>
M-MA4TNY1212/G							PUR/PVC	
M-MA4TPV1202/P	4		1=brown 2=white 3=blue 4=black	0.18mm <sup>2</sup>	36xφ0.08	3.0	PVC	<p>P type pnp-normally closed/open =yellow-yellow-green</p>
M-MA4TPY1212/P							PUR/PVC	

Standard length: 2.0 m, 5.0 m, 7.5 m, 10.0 m. Other cable length or cable specifications on request.

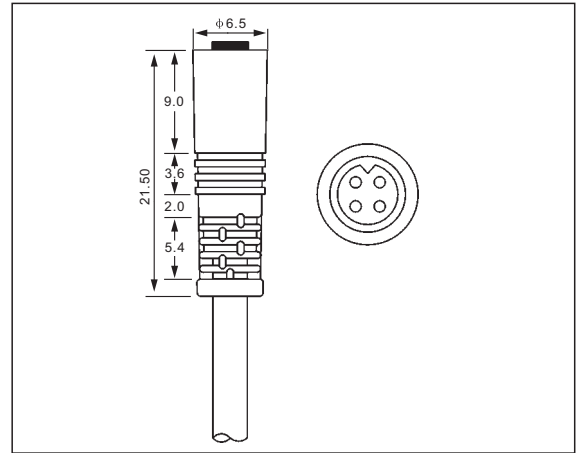
# ULTRA MINI-STYLE QUICK DISCONNECT CABLES

## View



- Female ultra mini-style
- Straight
- PUR/PVC offers superior resistance to oils and chemicals and abrasions
- With moulded cable

## Dimensional data



## Technical Data

Application Class: HNE acc.to DIN 40040  
(-25°C/+90°C/≤75%rF)

Moulded Body: TPU, self-extinguishing

Nominal Power: 4A

Nominal Voltage: 60VAC/75VDC

Contact: CuZn, pre-nickeled and  
0.8microns gold-plated

O-Ring: Viton

Body: TPU, self-extinguishing

Securing Safety Nut: Nickel plated brass

Protection: IP 67

Contact Resistance: ≤5m Ω

Insulation Group: C acc.to VDE 0110

Test Voltage: 1.5KV eff./60s.

Insulation Resistance: >10<sup>9</sup> Ω

## Catalog Number

Part-No	Poles	Face View Female	Color Code	Conductors		Outer Jacket	
				Guage	Stranding	φ mm	Material
M-FS4/3NZV1182	4		1=brown 2=- 3=blue 4=black	0.18mm <sup>2</sup>	36xφ0.08	3.0	PVC
M-FS4/3NZY1192	4		1=brown 2=- 3=blue 4=black	0.18mm <sup>2</sup>	36xφ0.08	3.0	PUR/PVC
M-FS4NZV1202	4		1=brown 2=white 3=blue 4=black	0.18mm <sup>2</sup>	36xφ0.08	3.0	PVC
M-FS4NZY1212	4		1=brown 2=white 3=blue 4=black	0.18mm <sup>2</sup>	36xφ0.08	3.0	PUR/PVC

Standard length: 2.0 m, 5.0 m, 7.5 m, 10.0 m. Other cable length or cable specifications on request.

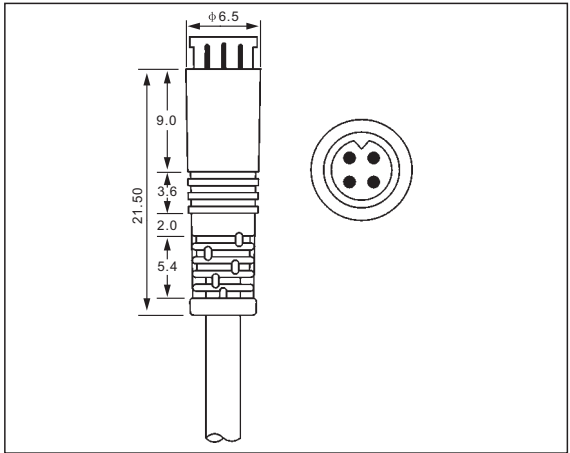
# ULTRA MINI-STYLE QUICK DISCONNECT CABLES

## View



- Male ultra mini-style
- Straight
- PUR/PVC offers superior resistance to oils and chemicals and abrasions
- With moulded cable

## Dimensional data



## Technical Data

Application Class: HNE acc.to DIN 40040  
 (-25°C/+90°C/≤75%rF)  
 Moulded Body: TPU, self-extinguishing  
 Nominal Power: 4A  
 Nominal Voltage: 60VAC/75VDC  
 Contact: CuZn, pre-nickeled and  
 0.8microns gold-plated  
 O-Ring: Viton

Body: TPU, self-extinguishing  
 Securing Safety Nut: Nickel plated brass  
 Protection: IP 67  
 Contact Resistance: ≤5m Ω  
 Insulation Group: C acc.to VDE 0110  
 Test Voltage: 1.5KV eff./60s.  
 Insulation Resistance: >10<sup>9</sup> Ω

## Catalog Number

Part-No	Poles	Face View male	Color Code	Conductors		Outer Jacket	
				Guage	Stranding	φ mm	Material
M-MS4/3NZV1182	4		1=brown 2=- 3=blue 4=black	0.18mm <sup>2</sup>	36xφ0.08	3.0	PVC
M-MS4/3NZY1192	4		1=brown 2=- 3=blue 4=black	0.18mm <sup>2</sup>	36xφ0.08	3.0	PUR/PVC
M-MS4NZV1202	4		1=brown 2=white 3=blue 4=black	0.18mm <sup>2</sup>	36xφ0.08	3.0	PVC
M-MS4NZY1212	4		1=brown 2=white 3=blue 4=black	0.18mm <sup>2</sup>	36xφ0.08	3.0	PUR/PVC

Standard length: 2.0 m, 5.0 m, 7.5 m, 10.0 m. Other cable length or cable specifications on request.

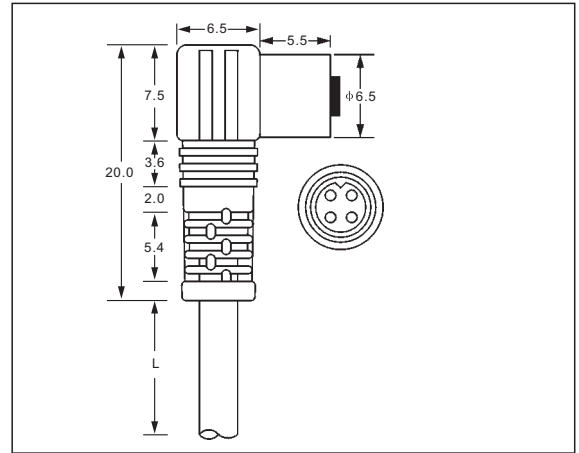
# ULTRA MINI-STYLE QUICK DISCONNECT CABLES

## View



- Female ultra mini-style
- Right angle
- PUR/PVC offers superior resistance to oils and chemicals and abrasions
- With moulded cable

## Dimensional data



## Technical Data

Application Class: HNE acc.to DIN 40040  
(-25°C/+90°C/≤75%rF)

Moulded Body: TPU, self-extinguishing

Nominal Power: 4A

Nominal Voltage: 60VAC/75VDC

Contact: CuZn, pre-nickeled and  
0.8microns gold-plated

O-Ring: Viton

Body: TPU, self-extinguishing

Securing Safety Nut: Nickel plated brass

Protection: IP 67

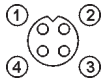
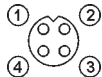
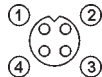
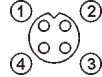
Contact Resistance: ≤5m Ω

Insulation Group: C acc.to VDE 0110

Test Voltage: 1.5KV eff./60s.

Insulation Resistance: >10<sup>9</sup> Ω

## Catalog Number

Part-No	Poles	Face View Female	Color Code	Conductors		Outer Jacket	
				Guage	Stranding	φ mm	Material
M-FA4/3NZV1182	4		1=brown 2=- 3=blue 4=black	0.18mm <sup>2</sup>	36xφ0.08	3.0	PVC
M-FA4/3NZY1192	4		1=brown 2=- 3=blue 4=black	0.18mm <sup>2</sup>	36xφ0.08	3.0	PUR/PVC
M-FA4NZV1202	4		1=brown 2=white 3=blue 4=black	0.18mm <sup>2</sup>	36xφ0.08	3.0	PVC
M-FA4NZY1212	4		1=brown 2=white 3=blue 4=black	0.18mm <sup>2</sup>	36xφ0.08	3.0	PUR/PVC

Standard length: 2.0 m, 5.0 m, 7.5 m, 10.0 m. Other cable length or cable specifications on request.

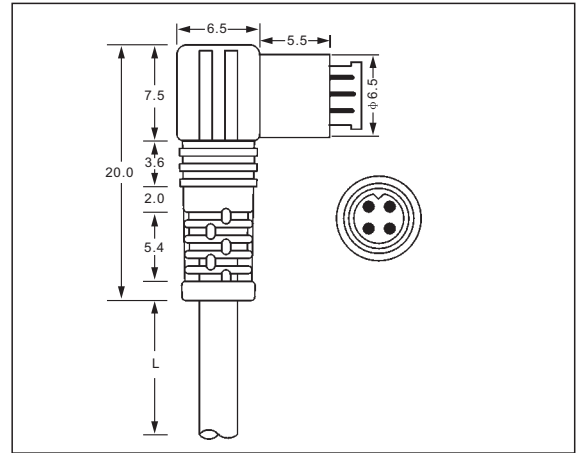
# ULTRA MINI-STYLE QUICK DISCONNECT CABLES

## View



- Male ultra mini-style
- Right angle
- PUR/PVC offers superior resistance to oils and chemicals and abrasions
- With moulded cable

## Dimensional data



## Technical Data

Application Class: HNE acc.to DIN 40040  
(-25°C/+90°C/≤75%rF)

Moulded Body: TPU, self-extinguishing

Nominal Power: 4A

Nominal Voltage: 60VAC/75VDC

Contact: CuZn, pre-nickeled and  
0.8microns gold-plated

O-Ring: Viton

Body: TPU, self-extinguishing

Securing Safety Nut: Nickel plated brass

Protection: IP 67

Contact Resistance: ≤5m Ω

Insulation Group: C acc.to VDE 0110

Test Voltage: 1.5KV eff./60s.

Insulation Resistance: >10<sup>9</sup> Ω

## Catalog Number

Part-No	Poles	Face View male	Color Code	Conductors		Outer Jacket	
				Guage	Stranding	φ mm	Material
M-MA4/3NZV1182	4		1=brown 2=- 3=blue 4=black	0.18mm <sup>2</sup>	36xφ0.08	3.0	PVC
M-MA4/3NZY1192	4		1=brown 2=- 3=blue 4=black	0.18mm <sup>2</sup>	36xφ0.08	3.0	PUR/PVC
M-MA4NZV1202	4		1=brown 2=white 3=blue 4=black	0.18mm <sup>2</sup>	36xφ0.08	3.0	PVC
M-MA4NZY1212	4		1=brown 2=white 3=blue 4=black	0.18mm <sup>2</sup>	36xφ0.08	3.0	PUR/PVC

Standard length: 2.0 m, 5.0 m, 7.5 m, 10.0 m. Other cable length or cable specifications on request.

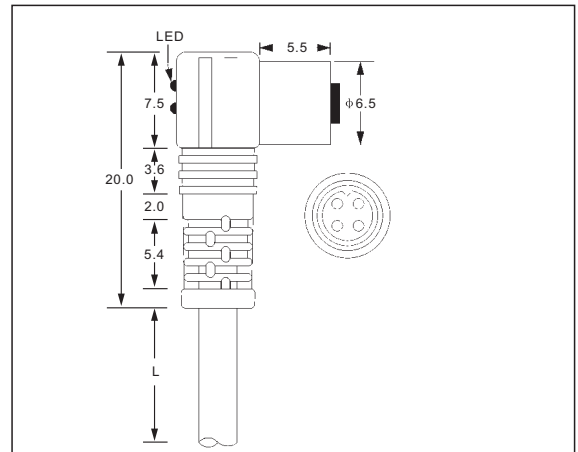
# ULTRA MINI-STYLE QUICK DISCONNECT CABLES

## View



- Female ultra mini-style
- Right angle
- PUR/PVC offers superior resistance to oils and chemicals and abrasions
- With moulded cable

## Dimensional data



## Technical Data

Application Class: HNE acc.to DIN 40040  
(-25°C/+90°C/≤75%rF)

Moulded Body: TPU, self-extinguishing

Nominal Power: 4A

Nominal Voltage: 60VAC/75VDC

Contact: CuZn, pre-nickeled and  
0.8microns gold-plated

O-Ring: Viton

Body: TPU, self-extinguishing

Securing Safety Nut: Nickel plated brass

Protection: IP 67

Contact Resistance: ≤5m Ω

Insulation Group: C acc.to VDE 0110

Test Voltage: 1.5KV eff./60s.

Insulation Resistance: >10<sup>9</sup> Ω

## Catalog Number

Part-No	Poles	Face View Female	Color Code	Conductors		Outer Jacket		Circuit LED-indicator	
				Guage	Stranding	φ mm	Material		
M-FA4/3NPV1182/A	4		1=brown 2=- 3=blue 4=black	0.18mm <sup>2</sup>	36xφ0.08	3.0	PVC	<p>A type pnp-normally open =yellow-green</p>	
M-FA4/3NPY1192/A							PUR/PVC		
M-FA4/3NPV1182/H	4		1=brown 2=black 3=blue 4=-	0.18mm <sup>2</sup>	36xφ0.08	3.0	PVC		<p>H type pnp-normally closed =yellow-green</p>
M-FA4/3NPY1192/H							PUR/PVC		

Standard length: 2.0 m, 5.0 m, 7.5 m, 10.0 m. Other cable length or cable specifications on request.

# ULTRA MINI-STYLE QUICK DISCONNECT CABLES

Catalog Number								
Part-No	Poles	Face View Female	Color Code	Conductors		Outer Jacket		Circuit LED-indicator
				Guage	Stranding	φ mm	Material	
M-FA4/3NNV1182/C	4		1=brown 2=- 3=blue 4=black	0.18mm <sup>2</sup>	36xφ0.08	3.0	PVC	<p>C type npn-normally open =yellow-green</p>
M-FA4/3NNY1192/C							PUR/PVC	
M-FA4NPV1202/F	4		1=brown 2=white 3=blue 4=black	0.18mm <sup>2</sup>	36xφ0.08	3.0	PVC	<p>F type pnp-normally closed/open =yellow-green</p>
M-FA4NPY1212/F							PUR/PVC	
M-FA4NNV1202/G	4		1=brown 2=white 3=blue 4=black	0.18mm <sup>2</sup>	36xφ0.08	3.0	PVC	<p>G type npn-normally closed/open =yellow-green</p>
M-FA4NNY1212/G							PUR/PVC	
M-FA4NPV1202/P	4		1=brown 2=white 3=blue 4=black	0.18mm <sup>2</sup>	36xφ0.08	3.0	PVC	<p>P type pnp-normally closed/open =yellow-yellow-green</p>
M-FA4NPY1212/P							PUR/PVC	

Standard length: 2.0 m, 5.0 m, 7.5 m, 10.0 m. Other cable length or cable specifications on request.

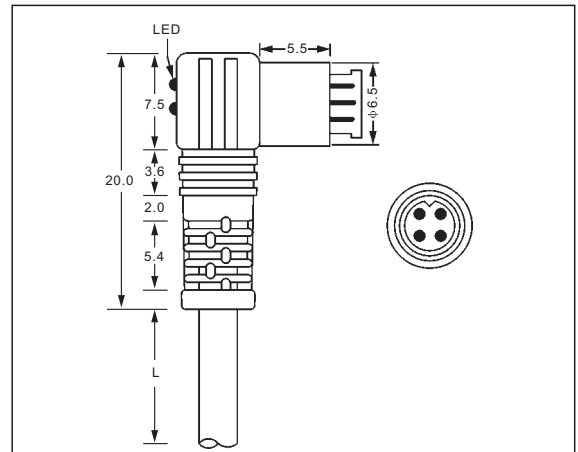
# ULTRA MINI-STYLE QUICK DISCONNECT CABLES

## View



- Male ultra mini-style
- Right angle
- PUR/PVC offers superior resistance to oils and chemicals and abrasions
- With moulded cable

## Dimensional data



## Technical Data

Application Class: HNE acc.to DIN 40040  
(-25°C/+90°C/≤75%rF)

Moulded Body: TPU, self-extinguishing

Nominal Power: 4A

Nominal Voltage: 60VAC/75VDC

Contact: CuZn, pre-nickeled and  
0.8microns gold-plated

O-Ring: Viton

Body: TPU, self-extinguishing

Securing Safety Nut: Nickel plated brass

Protection: IP 67

Contact Resistance: ≤5m Ω

Insulation Group: C acc.to VDE 0110

Test Voltage: 1.5KV eff./60s.

Insulation Resistance: >10<sup>9</sup> Ω

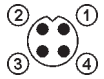
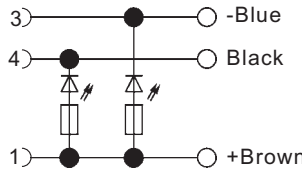

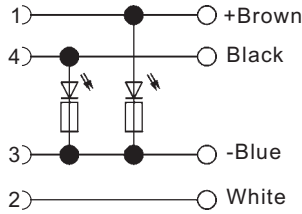
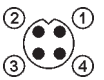
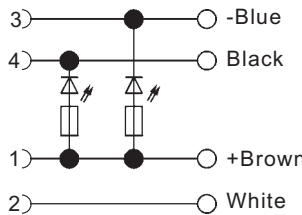

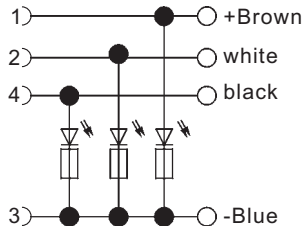
## Catalog Number

Part-No	Poles	Face View Male	Color Code	Conductors		Outer Jacket		Circuit LED-indicator	
				Guage	Stranding	φ mm	Material		
M-MA4/3NPV1182/A	4		1=brown 2=- 3=blue 4=black	0.18mm <sup>2</sup>	36xφ0.08	3.0	PVC	<p>A type pnp-normally open =yellow-green</p>	
M-MA4/3NPY1192/A							PUR/PVC		
M-MA4/3NPV1182/H	4		1=brown 2=black 3=blue 4=-	0.18mm <sup>2</sup>	36xφ0.08	3.0	PVC		<p>H type pnp-normally closed =yellow-green</p>
M-MA4/3NPY1192/H							PUR/PVC		

Standard length: 2.0 m, 5.0 m, 7.5 m, 10.0 m. Other cable length or cable specifications on request.



# ULTRA MINI-STYLE QUICK DISCONNECT CABLES

Catalog Number								
Part-No	Poles	Face View Male	Color Code	Conductors		Outer Jacket		Circuit LED-indicator
				Guage	Stranding	φ mm	Material	
M-MA4/3NNV1182/C	4		1=brown 2=- 3=blue 4=black	0.18mm <sup>2</sup>	36xφ0.08	3.0	PVC	<p>C type npn-normally open =yellow-green</p> 
M-MA4/3NNY1192/C							PUR/PVC	
M-MA4NPV1202/F	4		1=brown 2=white 3=blue 4=black	0.18mm <sup>2</sup>	36xφ0.08	3.0	PVC	<p>F type pnp-normally closed/open =yellow-green</p> 
M-MA4NPY1212/F							PUR/PVC	
M-MA4NNV1202/G	4		1=brown 2=white 3=blue 4=black	0.18mm <sup>2</sup>	36xφ0.08	3.0	PVC	<p>G type npn-normally closed/open =yellow-green</p> 
M-MA4NNY1212/G							PUR/PVC	
M-MA4NPV1202/P	4		1=brown 2=white 3=blue 4=black	0.18mm <sup>2</sup>	36xφ0.08	3.0	PVC	<p>P type pnp-normally closed/open =yellow-yellow-green</p> 
M-MA4NPY1212/P							PUR/PVC	

Standard length: 2.0 m, 5.0 m, 7.5 m, 10.0 m. Other cable length or cable specifications on request.

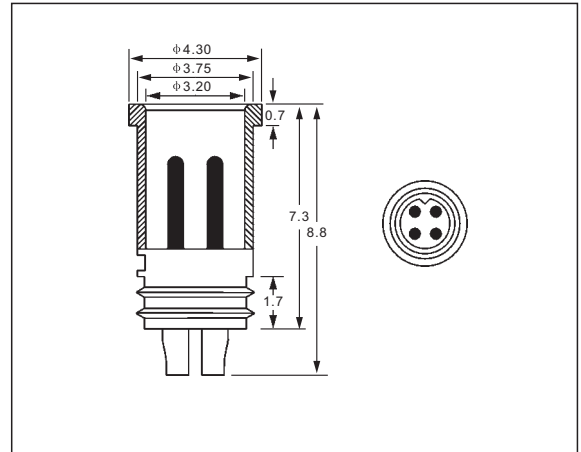
# ULTRA MINI-STYLE QUICK DISCONNECT CABLES

## View



- Ultra mini-style plug
- Male style

## Dimensional data



## Technical Data

Application Class: HLE acc. to DIN 40040  
(-25 °C / +110 °C / ≤ 75%rF)

Moulded Body: PA, self-extinguishing

Nominal Voltage: 60VAC/75VDC  
250VAC/300VDC (Solder Contacts potted with epoxy)

Contact: CuZn, pre-nickel and 0.8 microns gold-plated

Nominal Power: 4A  
Mode of Connection: Solder types  
O-Ring: Viton  
Protection: IP68  
Test Voltage: 4 poles 2.0 KV eff./60s.  
Insulation Resistance: > 10<sup>9</sup>Ω

## Catalog Number

Part-No	Poles	Face View male	Shaft-φ mm	Ventilation hole φ mm
M-MS3	3		3.3mm	—
M-MS4	4		3.3mm	—