

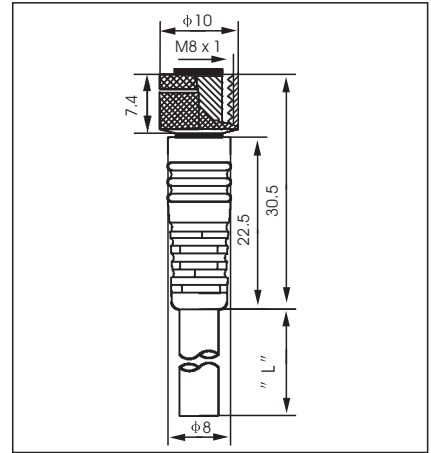
# PICO-STYLE QUICK DISCONNECT CABLES

## View



- Female pico-style
- Screw locking with (auto) securing safety nut
- With moulded cable

## Dimensional data



## Technical Data

Application Class: HNE acc.to DIN 40040  
 (-25 °C / +90 °C / ≤ 75%rF)  
 Moulded Body: TPU, self-extinguishing  
 Nominal Power: 4A  
 Nominal Voltage: 60VAC/75VDC  
 Contact: CuZn, pre-nickel and  
 0.8microns gold-plated  
 O-Ring: Viton

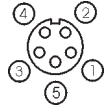
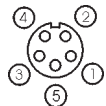
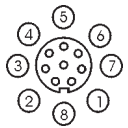
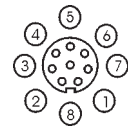
Body: TPU, self-extinguishing  
 Securing Safety Nut: Nickel plated brass  
 Protection: IP 67  
 Contact Resistance: ≤ 5m Ω  
 Insulation Group: C acc.to VDE 0110  
 Test Voltage: 1.5 KV eff./ 60 s.  
 Insulation Resistance: >10<sup>9</sup>Ω  
 CSA certified: 219967

## Catalog Number

Part-No	Poles	Face View female	Color Code	Conductors		Outer Jacket	
				Guage	Stranding	φmm	Material
C-FS3TZV062	3		1=brown 3=blue 4=black	0.34mm <sup>2</sup>	42x φ 0.10	5.0	PVC
C-FS3TZY042	3		1=brown 3=blue 4=black	0.34mm <sup>2</sup>	42x φ 0.10	5.0	PUR/PVC
C-FS4TZV072	4		1=brown 2=white 3=blue 4=black	0.25mm <sup>2</sup>	32x φ 0.10	5.0	PVC
C-FS4TZY872	4		1=brown 2=white 3=blue 4=black	0.25mm <sup>2</sup>	32x φ 0.10	5.0	PUR/PVC

Standard length: 2.0 m, 3.0 m, 7.5 m, 10.0 m. Other cable length or cable specifications on request.

# PICO-STYLE QUICK DISCONNECT CABLES

Catalog Number							
Part-No	Poles	Face View female	Color Code	Conductors		Outer Jacket	
				Guage	Stranding	φmm	Material
C-FS5TZV1132	5		1=brown 2=white 3=blue 4=black 5=gray	0.34mm <sup>2</sup>	42x φ 0.10	6.0	PVC
C-FS5TZY1142	5		1=brown 2=white 3=blue 4=black 5=gray	0.50mm <sup>2</sup>	16x φ 0.20	6.0	PUR/PVC
C-FS8TZV1152	8		1=white 2=brown 3=green 4=yellow 5=grey 6=pink 7=blue 8=red	0.50mm <sup>2</sup>	65x φ 0.10	7.2	PVC
C-FS8TZY1162	8		1=white 2=brown 3=green 4=yellow 5=grey 6=pink 7=blue 8=red	0.50mm <sup>2</sup>	65x φ 0.10	7.2	PUR/PVC

Standard length: 2.0 m, 3.0 m, 7.5 m, 10.0 m. Other cable length or cable specifications on request.

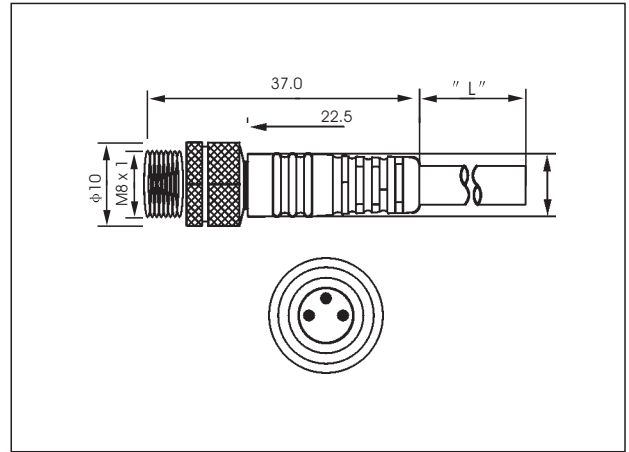
# PICO-STYLE QUICK DISCONNECT CABLES

## View



- Pico-style
- With freely rotating locking screw
- Moulded cable

## Dimensional data



## Technical Data

Application Class: HNE acc. to DIN 40040  
(-25 °C / +90 °C / ≤ 75%rF)

Moulded Body: TPU, self-extinguishing

Nominal Power: 4A

Nominale Voltage: 60VAC/75VDC

Contact: CuZn, pre-nickel and  
0.8 microns gold-plated



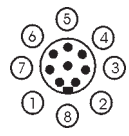
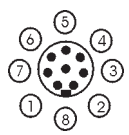
Body: TPU, self-extinguishing  
Insulation Group: C acc.to VDE 0110  
Securing Safety Nut: Nickel plated brass  
Protection: IP 67  
Test Voltage: 1.5 KV eff./ 60 s.  
Insulation Resistance: >10<sup>9</sup> Ω  
CSA certified: 219967

## Catalog Number

Part-No	Poles	Face view male	Color code	Conductors		Outer Jacket	
				Guage	Stranding	φ mm	Material
C-MS3TZV062	3		1=brown 3=blue 4=black	0.34mm <sup>2</sup>	42 x φ0.10	5.0	PVC
C-MS3TZY042				0.34mm <sup>2</sup>	42 x φ0.10	5.0	PUR/PVC
C-MS4TZV072	4		1=brown 2=white 3=blue 4=black	0.25mm <sup>2</sup>	32 x φ0.10	5.0	PVC
C-MS4TZY872				0.25mm <sup>2</sup>	32 x φ0.10	5.0	PUR/PVC

Standard length: 2.0 m, 5.0 m, 7.5 m, 10.0 m. Other cable length or cable specifications on request.

# PICO-STYLE QUICK DISCONNECT CABLES

Catalog Number							
Part-No	Poles	Face View male	Color Code	Conductors		Outer Jacket	
				Guage	Stranding	φmm	Material
C-MS5TZV1132	5		1=brown 2=white 3=blue 4=black 5=gray	0.34mm <sup>2</sup>	42x φ 0.10	6.0	PVC
C-MS5TZY1142	5		1=brown 2=white 3=blue 4=black 5=gray	0.50mm <sup>2</sup>	16x φ 0.20	6.0	PUR/PVC
C-MS8TZV1152	8		1=white 2=brown 3=green 4=yellow 5=grey 6=pink 7=blue 8=red	0.50mm <sup>2</sup>	65x φ 0.10	7.2	PVC
C-MS8TZY1162	8		1=white 2=brown 3=green 4=yellow 5=grey 6=pink 7=blue 8=red	0.50mm <sup>2</sup>	65x φ 0.10	7.2	PUR/PVC

Standard length: 2.0 m, 3.0 m, 7.5 m, 10.0 m. Other cable length or cable specifications on request.

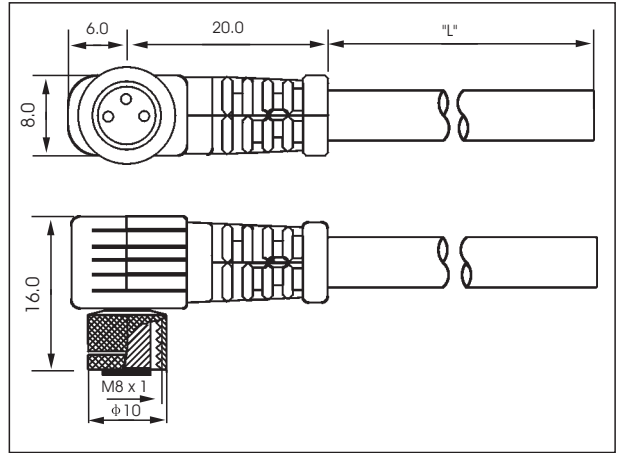
# PICO-STYLE QUICK DISCONNECT CABLES

## View



- Female pico-style
- Right-angle
- With built-in LED
- Screw locking with (auto) securing safety nut
- With moulded cable

## Dimensional data



## Technical Data

Application Class: HNE acc.to DIN 40040  
 (-25 °C / +90 °C / ≤ 75%rF)  
 Moulded Body: TPU, self-extinguishing  
 Nominal Power: 4A  
 Nominal Voltage: 60VAC/75VDC  
 Contact: CuZn, pre-nickeled and  
 0.8microns gold-plated  
 O-Ring: Viton

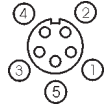
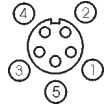
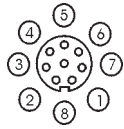
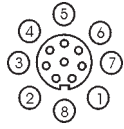
Body: TPU, self-extinguishing  
 Securing Safety Nut: Nickel plated brass  
 Protection: IP 67  
 Contact Resistance: ≤ 5m Ω  
 Insulation Group: C acc.to VDE 0110  
 Test Voltage: 1.5 KV eff./ 60 s.  
 Insulation Resistance: >10<sup>9</sup>Ω  
 CSA certified: 219967

## Catalog Number

Part-No	Poles	Face View female	Color Code	Conductors		Outer Jacket	
				Guage	Stranding	φmm	Material
C-FA3TZV062	3		1=brown 3=blue 4=black	0.34mm <sup>2</sup>	42x φ 0.10	5.0	PVC
C-FA3TZY042	3		1=brown 3=blue 4=black	0.34mm <sup>2</sup>	42x φ 0.10	5.0	PUR/PVC
C-FA4TZV072	4		1=brown 2=white 3=blue 4=black	0.25mm <sup>2</sup>	32x φ 0.10	5.0	PVC
C-FA4TZY872	4		1=brown 2=white 3=blue 4=black	0.25mm <sup>2</sup>	32x φ 0.10	5.0	PUR/PVC

Standard length: 2.0 m, 3.0 m, 7.5 m, 10.0 m. Other cable length or cable specifications on request.

# PICO-STYLE QUICK DISCONNECT CABLES

Catalog Number							
Part-No	Poles	Face View female	Color Code	Conductors		Outer Jacket	
				Guage	Stranding	φmm	Material
C-FA5TZV1132	5		1=brown 2=white 3=blue 4=black 5=gray	0.34mm <sup>2</sup>	42x φ 0.10	6.0	PVC
C-FA5TZY1142	5		1=brown 2=white 3=blue 4=black 5=gray	0.50mm <sup>2</sup>	16x φ 0.20	6.0	PUR/PVC
C-FA8TZV1152	8		1=white 2=brown 3=green 4=yellow 5=grey 6=pink 7=blue 8=red	0.50mm <sup>2</sup>	65x φ 0.10	7.2	PVC
C-FA8TZY1162	8		1=white 2=brown 3=green 4=yellow 5=grey 6=pink 7=blue 8=red	0.50mm <sup>2</sup>	65x φ 0.10	7.2	PUR/PVC

Standard length: 2.0 m, 3.0 m, 7.5 m, 10.0 m. Other cable length or cable specifications on request.

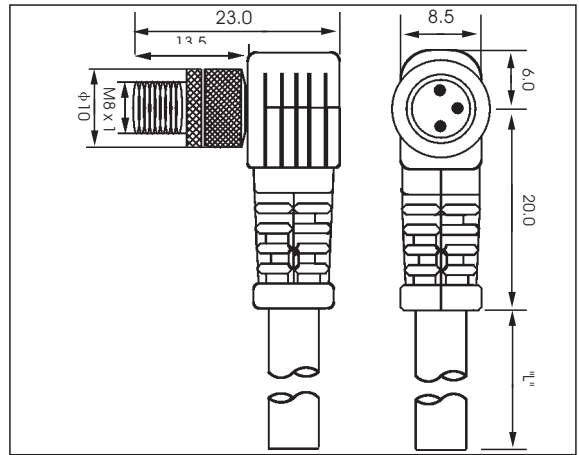
# PICO-STYLE QUICK DISCONNECT CABLES

## View



- Right-angle
- With freely rotating locking screw
- Moulded cable

## Dimensional data



## Technical Data

Application Class: HNE acc.to DIN 40040  
 (-25 °C / +90 °C / ≤ 75%rF)

Moulded Body: TPU, self-extinguishing

Nominal Power: 4A

Nominal Voltage: 60VAC/75VDC

Contact: CuZn, pre-nickelated and 0.8microns gold-plated

Body: TPU, self-extinguishing

Insulation Group: C acc.to VDE 0110

Securing Safety Nut: Nickel plated brass

Protection: IP 67

Test Voltage: 1.5 KV eff./ 60 s.

Insulation Resistance: > 10<sup>9</sup>Ω

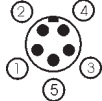
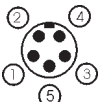
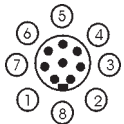

CSA certified: 219967

## Catalog Number

Part-No	Poles	Face View male	Color Code	Conductors		Outer Jacket	
				Guage	Stranding	φ mm	Material
C-MA3TZV062	3		1=brown 3=blue 4=black	0.34mm <sup>2</sup>	42 x φ0.10	5.0	PVC
C-MA3TZY042	3		1=brown 3=blue 4=black	0.34mm <sup>2</sup>	42 x φ0.10	5.0	PUR/PVC
C-MA4TZV072	4		1=brown 2=white 3=blue 4=black	0.25mm <sup>2</sup>	32 x φ0.10	5.0	PVC
C-MA4TZY872	4		1=brown 2=white 3=blue 4=black	0.25mm <sup>2</sup>	32 x φ0.10	5.0	PUR/PVC

Standard length: 2.0 m, 5.0 m, 7.5 m, 10.0 m. Other cable length or cable specifications on request.

# PICO-STYLE QUICK DISCONNECT CABLES

Catalog Number							
Part-No	Poles	Face View male	Color Code	Conductors		Outer Jacket	
				Guage	Stranding	φmm	Material
C-MA5TZV1132	5		1=brown 2=white 3=blue 4=black 5=gray	0.34mm <sup>2</sup>	42x φ 0.10	6.0	PVC
C-MA5TZY1142	5		1=brown 2=white 3=blue 4=black 5=gray	0.50mm <sup>2</sup>	16x φ 0.20	6.0	PUR/PVC
C-MA8TZV1152	8		1=white 2=brown 3=green 4=yellow 5=grey 6=pink 7=blue 8=red	0.50mm <sup>2</sup>	65x φ 0.10	7.2	PVC
C-MA8TZY1162	8		1=white 2=brown 3=green 4=yellow 5=grey 6=pink 7=blue 8=red	0.50mm <sup>2</sup>	65x φ 0.10	7.2	PUR/PVC

Standard length: 2.0 m, 3.0 m, 7.5 m, 10.0 m. Other cable length or cable specifications on request.



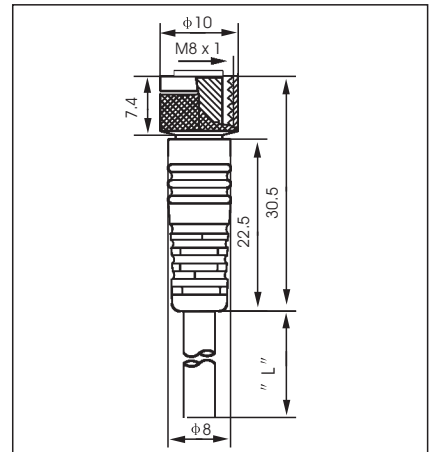
# PICO-STYLE QUICK DISCONNECT CABLES

## View



- Female pico-style
- Screw locking with (auto) securing safety nut
- With moulded cable

## Dimensional data

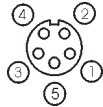
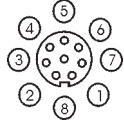


## Technical Data

Application Class: HNE acc.to DIN 40040  
 (-25 °C / +90 °C / ≤ 75%rF)  
 Moulded Body: TPU, self-extinguishing  
 Nominal Power: 4A  
 Nominal Voltage: 60VAC/75VDC  
 Contact: CuZn, pre-nickeled and  
 0.8microns gold-plated  
 O-Ring: Viton


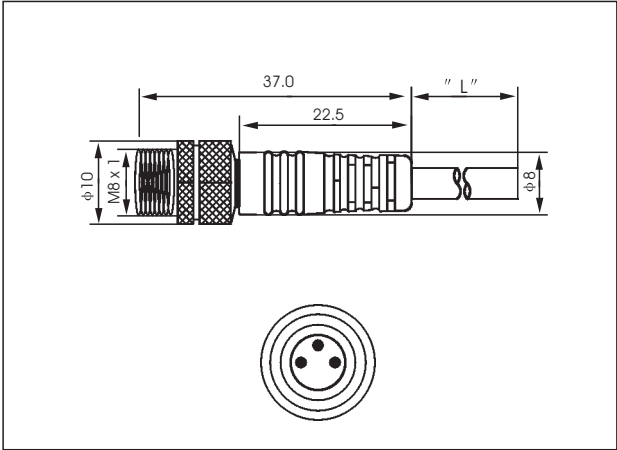
Body: TPU, self-extinguishing  
 Securing Safety Nut: Nickel plated brass  
 Protection: IP 67  
 Contact Resistance: ≤ 5m Ω  
 Insulation Group: C acc.to VDE 0110  
 Test Voltage: 1.5 KV eff./ 60 s.  
 Insulation Resistance: >10<sup>9</sup>Ω  
 CSA certified: 219967

## Catalog Number


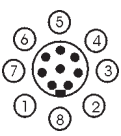
Part-No	Poles	Face View female	Color Code	Conductors		Outer Jacket	
				Guage	Stranding	φmm	Material
C-FS5TZV1092	5		1=brown 2=white 3=blue 4=black 5=gray	0.34mm <sup>2</sup>	42x φ 0.10	6.0	PVC
C-FS8TZV1112	8		1=white 2=brown 3=green 4=yellow 5=grey 6=pink 7=blue 8=red	0.50mm <sup>2</sup>	65x φ 0.10	7.2	PVC

Standard length: 2.0 m, 3.0 m, 7.5 m, 10.0 m. Other cable length or cable specifications on request.

# PICO-STYLE QUICK DISCONNECT CABLES

View	Dimensional data
 <ul style="list-style-type: none"> <li>Pico-style</li> <li>With freely rotating locking screw</li> <li>Moulded cable</li> </ul>	

Technical Data	
Application Class:	HNE acc. to DIN 40040 (-25 °C / +90 °C / ≤ 75%rF)
Moulded Body:	TPU, self-extinguishing
Nominal Power:	4A
Nominale Voltage:	60VAC/75VDC
Contact:	CuZn, pre-nickelated and 0.8 microns gold-plated
Body:	TPU, self-extinguishing
Insulation Group:	C acc.to VDE 0110
Securing Safety Nut:	Nickel plated brass
Protection:	IP 67
Test Voltage:	1.5 KV eff./ 60 s.
Insulation Resistance:	>10 <sup>9</sup> Ω
CSA certified:	219967

Catalog Number							
Part-No	Poles	Face view male	Color code	Conductors		Outer Jacket	
				Guage	Stranding	φ mm	Material
C-MS5TZV1092	5		1=brown 2=white 3=blue 4=black 5=gray	0.34mm <sup>2</sup>	42x φ 0.10	6.0	PVC
C-MS8TZV1112	8		1=white 2=brown 3=green 4=yellow 5=grey 6=pink 7=blue 8=red	0.50mm <sup>2</sup>	65x φ 0.10	7.2	PVC
Standard length: 2.0 m, 5.0 m, 7.5 m, 10.0 m. Other cable length or cable specifications on request.							

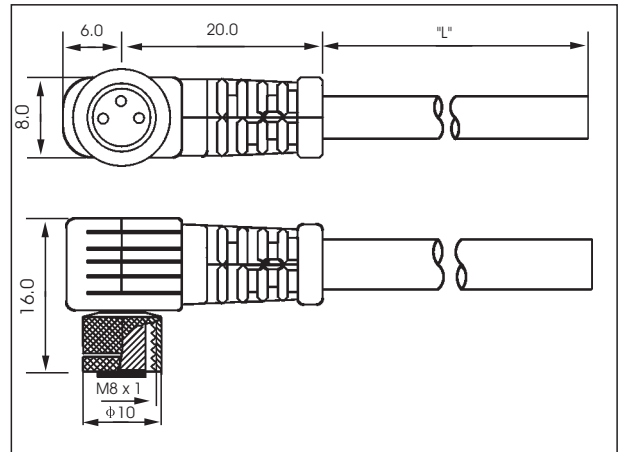
# PICO-STYLE QUICK DISCONNECT CABLES

## View



- Female pico-style
- Right-angle
- With built-in LED
- Screw locking with (auto) securing safety nut
- With moulded cable

## Dimensional data

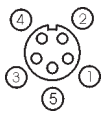
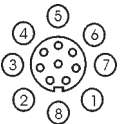


## Technical Data

Application Class: HNE acc.to DIN 40040  
 (-25 °C / +90 °C / ≤ 75%rF)  
 Moulded Body: TPU, self-extinguishing  
 Nominal Power: 4A  
 Nominal Voltage: 60VAC/75VDC  
 Contact: CuZn, pre-nickeled and  
 0.8microns gold-plated  
 O-Ring: Viton

Body: TPU, self-extinguishing  
 Securing Safety Nut: Nickel plated brass  
 Protection: IP 67  
 Contact Resistance: ≤ 5m Ω  
 Insulation Group: C acc.to VDE 0110  
 Test Voltage: 1.5 KV eff./ 60 s.  
 Insulation Resistance: >10<sup>9</sup>Ω  
 CSA certified: 219967

## Catalog Number

Part-No	Poles	Face View female	Color Code	Conductors		Outer Jacket	
				Guage	Stranding	φmm	Material
C-FA5TZV1092	5		1=brown 2=white 3=blue 4=black 5=gray	0.34mm <sup>2</sup>	42x φ 0.10	6.0	PVC
C-FA8TZV1112	8		1=white 2=brown 3=green 4=yellow 5=grey 6=pink 7=blue 8=red	0.50mm <sup>2</sup>	65x φ 0.10	7.2	PVC

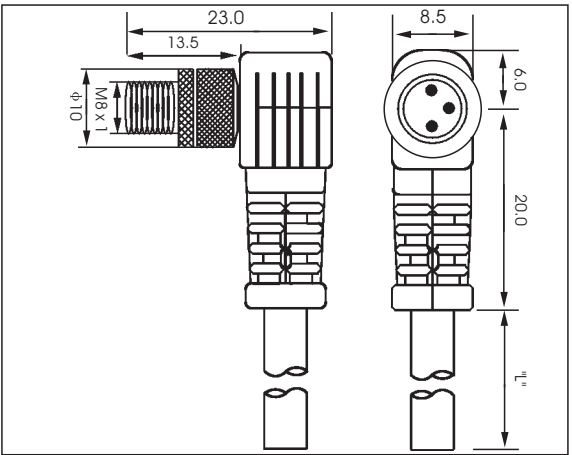
Standard length: 2.0 m, 3.0 m, 7.5 m, 10.0 m. Other cable length or cable specifications on request.

# PICO-STYLE QUICK DISCONNECT CABLES

## View Dimensional data



- Right-angle
- With freely rotating locking screw
- Moulded cable



## Technical Data

Application Class:	HNE acc.to DIN 40040 (-25 °C / +90 °C / ≤ 75%rF)	Body:	TPU, self-extinguishing
Moulded Body:	TPU, self-extinguishing	Insulation Group:	C acc.to VDE 0110
Nominal Power:	4A	Securing Safety Nut:	Nickel plated brass
Nominal Voltage:	60VAC/75VDC	Protection:	IP 67
Contact:	CuZn, pre-nickeled and 0.8microns gold-plated	Test Voltage:	1.5 KV eff./ 60 s.
		Insulation Resistance:	> 10 <sup>9</sup> Ω
		CSA certified:	219967

## Catalog Number

Part-No	Poles	Face View male	Color Code	Conductors		Outer Jacket	
				Guage	Stranding	φ mm	Material
C-MA5TZV1092	5		1=brown 2=white 3=blue 4=black 5=gray	0.34mm <sup>2</sup>	42x φ 0.10	6.0	PVC
C-MA8TZV1112	8		1=white 2=brown 3=green 4=yellow 5=grey 6=pink 7=blue 8=red	0.50mm <sup>2</sup>	65x φ 0.10	7.2	PVC

Standard length: 2.0 m, 5.0 m, 7.5 m, 10.0 m. Other cable length or cable specifications on request.