

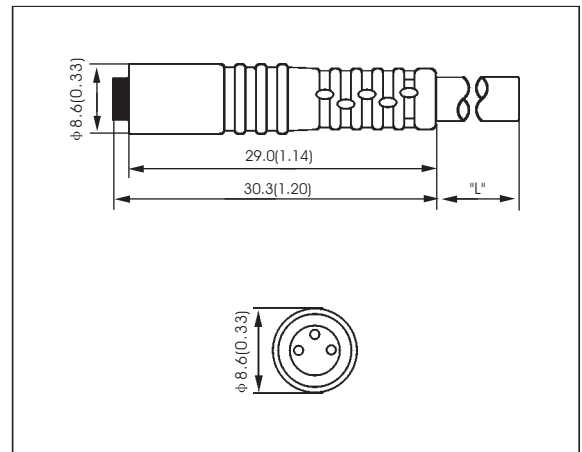
PICO-STYLE QUICK DISCONNECT CABLES

View



- Female Pico-style
- Snap-in device
- With moulded cable
- PUR/PVC offers superior resistance to oils and chemicals and abrasions

Dimensional data



Technical Data

Application Class: HNE acc.to DIN 40040
(-25 °C / +90 °C / ≤ 75%rF)

Moulded Body: TPU, self-extinguishing

Nominal Power: 4A

Nominal Voltage: 60VAC/75VDC

Contact: CuZn, pre-nickel and
0.8microns gold-plated

Body: TPU, self-extinguishing

O-Ring: Viton

Protection: IP 65

Contact Resistance: ≤ 5m Ω

Insulation Group: C acc.to VDE 0110

Test Voltage: 1.5 KV eff./ 60 s.

Insulation Resistance: >10⁹ Ω

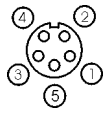
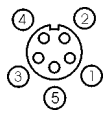
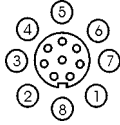
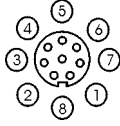
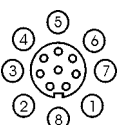
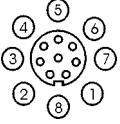
CSA certified: 219967

Catalog Number

Part-No	Poles	Face View female	Color Code	Conductors		Outer Jacket	
				Guage	Stranding	φ mm	Material
C-FS3/2NZV062	3		1=brown 3=blue 4=-	0.34mm ²	42 x φ0.10	5.0	PVC
C-FS3/2NZU042	3		1=brown 3=blue 4=-	0.34mm ²	42 x φ0.10	5.0	PUR
C-FS5NZV1092	5		1=brown 2=white 3=blue 4=black 5=gray	0.34mm ²	42x φ0.10	6.0	PVC
C-FS5NZU1102	5		1=brown 2=white 3=blue 4=black 5=gray	0.50mm ²	16x φ0.20	6.0	PUR

Standard length: 2.0 m and 5.0 m. 7.5m, 10.0m. Other cable length or cable specifications on request.

PICO-STYLE QUICK DISCONNECT CABLES

Catalog Number							
Part-No	Poles	Face View female	Color Code	Conductors		Outer Jacket	
				Guage	Stranding	φ mm	Material
C-FA5NZV1092	5		1=brown 2=white 3=blue 4=black 5=gray	0.34mm ²	42x φ 0.10	6.0	PVC
C-FA5NZU1102	5		1=brown 2=white 3=blue 4=black 5=gray	0.50mm ²	16x φ 0.20	6.0	PUR
C-FS8NZV1112	8		1=white 2=brown 3=green 4=yellow 5=grey 6=pink 7=blue 8=red	0.50mm ²	65x φ 0.10	7.2	PVC
C-FS8NZU1122	8		1=white 2=brown 3=green 4=yellow 5=grey 6=pink 7=blue 8=red	0.50mm ²	65x φ 0.10	7.2	PUR
C-FA8NZV1112	8		1=white 2=brown 3=green 4=yellow 5=grey 6=pink 7=blue 8=red	0.50mm ²	65x φ 0.10	7.2	PVC
C-FA8NZU1122	8		1=white 2=brown 3=green 4=yellow 5=grey 6=pink 7=blue 8=red	0.50mm ²	65x φ 0.10	7.2	PUR

Standard length: 2.0 m and 5.0 m. 7.5m, 10.0m. Other cable length or cable specifications on request.

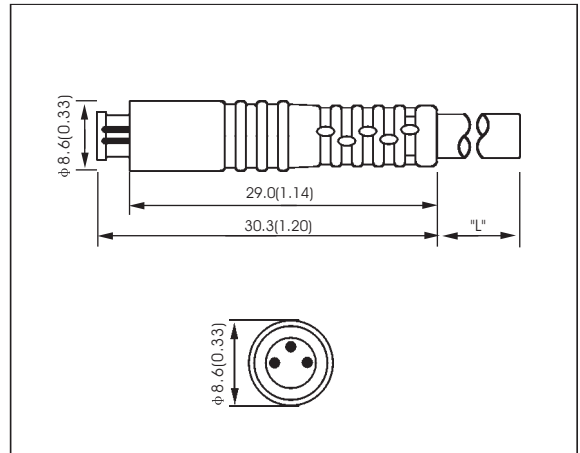
PICO-STYLE QUICK DISCONNECT CABLES

View



- Male Pico-style
- Snap-in device
- With moulded cable
- PUR/PVC offers superior resistance to oils and chemicals and abrasions

Dimensional data



Technical Data

Application Class: HNE acc.to DIN 40040
 (-25 °C / +90 °C / ≤ 75%rF)

Moulded Body: TPU, self-extinguishing

Nominal Power: 4A

Nominal Voltage: 60VAC/75VDC

Contact: CuZn, pre-nickel and
 0.8microns gold-plated

Body: TPU, self-extinguishing

O-Ring: Viton

Protection: IP 65

Contact Resistance: ≤ 5mΩ

Insulation Group: C acc.to VDE 0110

Test Voltage: 1.5 KV eff./ 60 s.

Insulation Resistance: >10⁹Ω


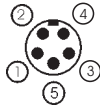
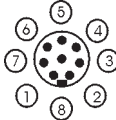



CSA certified: 219967

Catalog Number

Part-No	Poles	Face View male	Color Code	Conductors		Outer Jacket	
				Guage	Stranding	φ mm	Material
C-MS3/2NZV062	3		1=brown 3=blue 4=-	0.34mm ²	42 x φ0.10	5.0	PVC
C-MS3/2NZU042	3		1=brown 3=blue 4=-	0.34mm ²	42 x φ0.10	5.0	PUR
C-MS5NZV1092	5		1=brown 2=white 3=blue 4=black 5=gray	0.34mm ²	42x φ 0.10	6.0	PVC
C-MS5NZU1102	5		1=brown 2=white 3=blue 4=black 5=gray	0.50mm ²	16x φ 0.20	6.0	PUR

Standard length: 2.0 m and 5.0 m. 7.5m, 10.0m. Other cable length or cable specifications on request.

PICO-STYLE QUICK DISCONNECT CABLES

Catalog Number							
Part-No	Poles	Face View male	Color Code	Conductors		Outer Jacket	
				Guage	Stranding	φ mm	Material
C-MA5NZV1092	5		1=brown 2=white 3=blue 4=black 5=gray	0.34mm ²	42x φ 0.10	6.0	PVC
C-MA5NZU1102	5		1=brown 2=white 3=blue 4=black 5=gray	0.50mm ²	16x φ 0.20	6.0	PUR
C-MS8NZV1112	8		1=white 2=brown 3=green 4=yellow 5=grey 6=pink 7=blue 8=red	0.50mm ²	65x φ 0.10	7.2	PVC
C-MS8NZU1122	8		1=white 2=brown 3=green 4=yellow 5=grey 6=pink 7=blue 8=red	0.50mm ²	65x φ 0.10	7.2	PUR
C-MA8NZV1112	8		1=white 2=brown 3=green 4=yellow 5=grey 6=pink 7=blue 8=red	0.50mm ²	65x φ 0.10	7.2	PVC
C-MA8NZU1122	8		1=white 2=brown 3=green 4=yellow 5=grey 6=pink 7=blue 8=red	0.50mm ²	65x φ 0.10	7.2	PUR

Standard length: 2.0 m and 5.0 m. 7.5m, 10.0m. Other cable length or cable specifications on request.

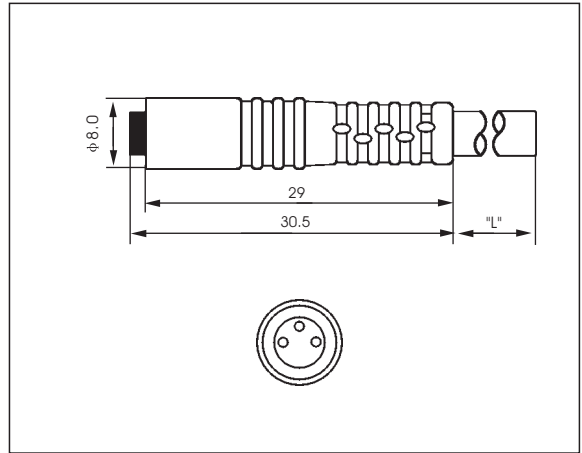
PICO-STYLE QUICK DISCONNECT CABLES

View



- Female Pico-style
- Snap-in device
- With moulded cable
- PUR/PVC offers superior resistance to oils and chemicals and abrasions

Dimensional data



Technical Data

Application Class: HNE acc.to DIN 40040
 (-25 °C / +90 °C / ≤ 75%rF)

Moulded Body: TPU, self-extinguishing

Nominal Power: 4A

Nominal Voltage: 60VAC/75VDC

Contact: CuZn, pre-nickel and
 0.8microns gold-plated

Body: TPU, self-extinguishing

O-Ring: Viton

Protection: IP 65

Contact Resistance: ≤ 5mΩ

Insulation Group: C acc.to VDE 0110

Test Voltage: 1.5 KV eff./ 60 s.

Insulation Resistance: >10⁹ Ω

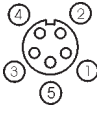
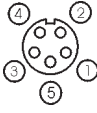
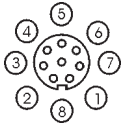
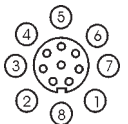
CSA certified: 219967

Catalog Number

Part-No	Poles	Face View female	Color Code	Conductors		Outer Jacket	
				Guage	Stranding	φ mm	Material
C-FS3NZV062	3		1=brown 3=blue 4=black	0.34mm ²	42 x φ0.10	5.0	PVC
C-FS3NZY042				0.34mm ²	42 x φ0.10	5.0	PUR/PVC
C-FS4NZV072	4		1=brown 2=white 3=blue 4=black	0.25mm ²	32 x φ 0.10	5.0	PVC
C-FS4NZY872				0.25mm ²	32 x φ 0.10	5.0	PUR/PVC

Standard length: 2.0 m, 3.0 m, 7.5 m, 10.0 m. Other cable length or cable specifications on request.

PICO-STYLE QUICK DISCONNECT CABLES

Catalog Number							
Part-No	Poles	Face View female	Color Code	Conductors		Outer Jacket	
				Guage	Stranding	φ mm	Material
C-FS5NZV1092/A	5		1=brown 2=white 3=blue 4=black 5=gray	0.34mm ²	42x φ 0.10	6.0	PVC
C-FS5NZY1102	5		1=brown 2=white 3=blue 4=black 5=gray	0.50mm ²	16x φ 0.20	6.0	PUR/PVC
C-FS8NZV1112/A	8		1=white 2=brown 3=green 4=yellow 5=grey 6=pink 7=blue 8=red	0.50mm ²	65x φ 0.10	7.2	PVC
C-FS8NZY1122	8		1=white 2=brown 3=green 4=yellow 5=grey 6=pink 7=blue 8=red	0.50mm ²	65x φ 0.10	7.2	PUR/PVC

Standard length: 2.0 m, 3.0 m, 7.5 m, 10.0 m. Other cable length or cable specifications on request.

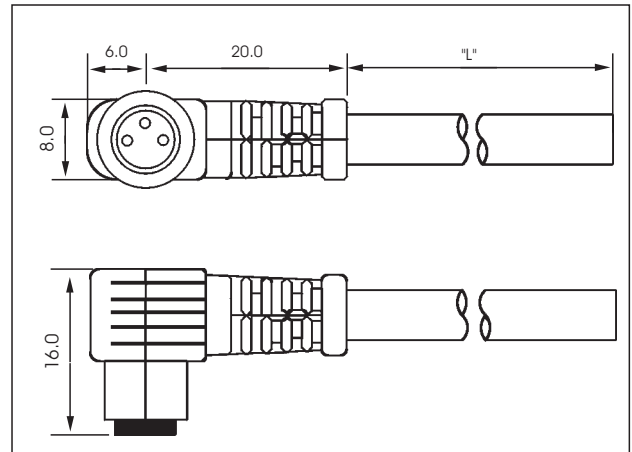
PICO-STYLE QUICK DISCONNECT CABLES

View



- Female pico-style
- Right-angle
- Snap-in device
- With moulded cable

Dimensional data



Technical Data

Application Class: HNE acc. to DIN 40040
 (-25 °C / +90 °C / ≤ 75%rF)
 Moulded Body: TPU, self-extinguishing
 Nominal Power: 4A
 Nominal Voltage: 60 VAC/75 VDC
 Contact: CuZn, pre-nickel and
 0.8 microns gold-plated

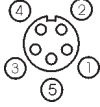
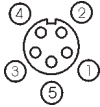
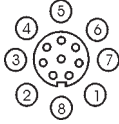
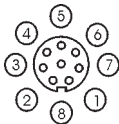
Body: TPU, self-extinguishing
 O-Ring: Viton
 Protection: IP 65
 Contact Resistance: ≤ 5m Ω
 Insulation Group: C acc.to VDE 0110
 Test Voltage: 1.5 KV eff./ 60 s.
 Insulation Resistance: >10⁹ Ω
 CSA certified: 219967

Catalog Number

Part-No	Poles	Face View female	Color Code	Conductors		Outer Jacket	
				Guage	Stranding	φ mm	Material
C-FA3NZV062	3		1=brown 3=blue 4=black	0.34mm ²	42 x φ0.10	5.0	PVC
C-FA3NZY042				0.34mm ²	42 x φ0.10	5.0	PUR/PVC
C-FA4NZV072	4		1=brown 2=white 3=blue 4=black	0.25mm ²	32 x φ0.10	5.0	PVC
C-FA4NZY872				0.25mm ²	32 x φ0.10	5.0	PUR/PVC

Standard length: 2.0 m, 3.0 m, 7.5 m, 10.0 m. Other cable length or cable specifications on request.

PICO-STYLE QUICK DISCONNECT CABLES

Catalog Number							
Part-No	Poles	Face View female	Color Code	Conductors		Outer Jacket	
				Guage	Stranding	φ mm	Material
C-FA5NZV1132	5		1=brown 2=white 3=blue 4=black 5=gray	0.34mm ²	42x φ 0.10	6.0	PVC
C-FA5NZY1142	5		1=brown 2=white 3=blue 4=black 5=gray	0.50mm ²	16x φ 0.20	6.0	PUR
C-FA8NZV1152	8		1=white 2=brown 3=green 4=yellow 5=grey 6=pink 7=blue 8=red	0.50mm ²	65x φ 0.10	7.2	PVC
C-FA8NZY1162	8		1=white 2=brown 3=green 4=yellow 5=grey 6=pink 7=blue 8=red	0.50mm ²	65x φ 0.10	7.2	PUR
Standard length: 2.0 m, 3.0 m, 7.5 m, 10.0 m. Other cable length or cable specifications on request.							

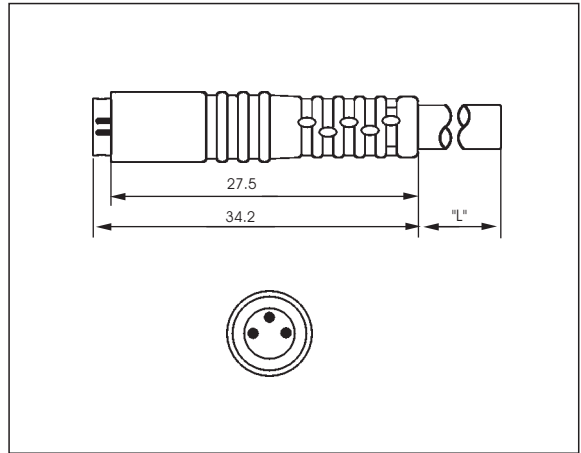
PICO-STYLE QUICK DISCONNECT CABLES

View



- Straight Male pico-style
- Snap-in and locking device
- With moulded cable

Dimensional data



Technical Data

Application Class: HNE acc.to DIN 40040
 (-25 °C +90 °C / ≤ 75%rF)

Moulded Body: PA6.6,self-extinguishing

Nominal Power: 4A

Nominal Voltage: 60VAC/75VDC

Contact: CuZn,pre-nickeled and
 0.8 microns gold-plated

Body: TPU,self-extinguishing

Insulation Group: C acc.to VDE 0110

Protection: IP 65

Test Voltage: 1.5 KV eff./ 60 s.

Insulation Resistance: >10⁹Ω





CSA certified: 219967

Catalog Number

Part-No	Poles	Face View male	Color Code	Conductors		Outer Jacket	
				Guage	Stranding	φ mm	Material
C-MS3NZV062	3		1=brown 3=blue 4=black	0.34mm ²	42 x φ0.10	5.0	PVC
C-MS3NZY042				0.34mm ²	42 x φ0.10	5.0	PUR/PVC
C-MS4NZV072	4		1=brown 2=white 3=blue 4=black	0.25mm ²	32 x φ0.10	5.0	PVC
C-MS4NZY872				0.25mm ²	32 x φ0.10	5.0	PUR/PVC

Standard length: 2.0 m, 5.0 m, 7.5 m, 10.0 m. Other cable length or cable specifications on request.

PICO-STYLE QUICK DISCONNECT CABLES

Catalog Number							
Part-No	Poles	Face View male	Color Code	Conductors		Outer Jacket	
				Guage	Stranding	φ mm	Material
C-MS5NZV1092/A	5		1=brown 2=white 3=blue 4=black 5=gray	0.34mm ²	42x φ 0.10	6.0	PVC
C-MS5NZY1102	5		1=brown 2=white 3=blue 4=black 5=gray	0.50mm ²	16x φ 0.20	6.0	PUR
C-MS8NZV1112/A	8		1=white 2=brown 3=green 4=yellow 5=grey 6=pink 7=blue 8=red	0.50mm ²	65x φ 0.10	7.2	PVC
C-MS8NZY1122	8		1=white 2=brown 3=green 4=yellow 5=grey 6=pink 7=blue 8=red	0.50mm ²	65x φ 0.10	7.2	PUR

Standard length: 2.0 m, 5.0 m, 7.5 m, 10.0 m. Other cable length or cable specifications on request.