

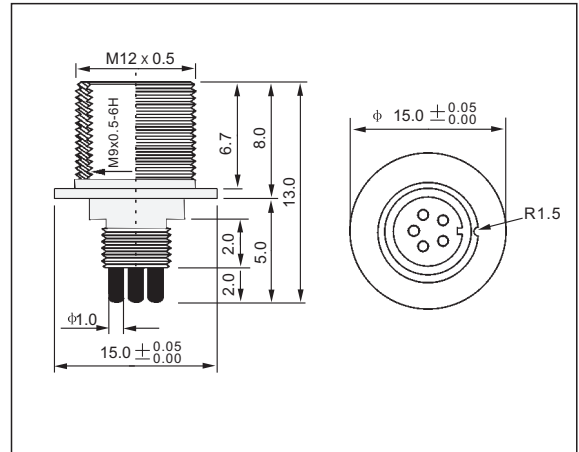
EURO-STYLE QUICK DISCONNECT RECEPTACLES

View



- Euro-style receptacles
- Front mounting, wire ends, thread chassis side PG9
- Back mounting with nut RMF9(see page C-34)
- Solder contacts potted with epoxy

Dimensional data



Technical Data

Application Class: HNA acc. to DIN 40040
 (-25 °C / +90 °C / ≤ 100%rF)

Moulded Body: PA, self-extinguishing
 8poles TPU, Self-extinguishing

Nominal Power: 4A , 8 poles=1.5A

Nominal Voltage: 3+4poles, 250VAC/300VDC
 5+8poles, 30VAC/36VDC

Contact: CuZn, pre-nickeled and 0.8 microns gold-plated

Receptacle Housing: Nickel plated brass

O-Ring: Viton

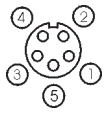
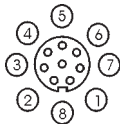
ProtEction: IP 68

Insulation Group: Cacc.toVDE0110

Test Voltage: 2.0 KV eff./60s.
 8poles=1.5 KV eff./60s.

Insulation Resistance: > 10⁹Ω

Catalog Number

Part-No	Poles	Face View Female	Color Code	Conductors		Conductor insulation φ mm(single)
				Guage	Stranding	
FS5FZ/0.5/PG9/M12	5		1=brown 2=white 3=blue 4=black 5=gray	0.34mm ²	42 x φ 0.10	1.6
				0.50mm ²	16 x φ 0.20	1.8
FS8FZ/0.5/PG9/M12	8		1=white 2=brown 3=green 4=yellow 5=grey 6=pink 7=blue 8=red	0.25mm ²	32 x φ 0.10	1.6