

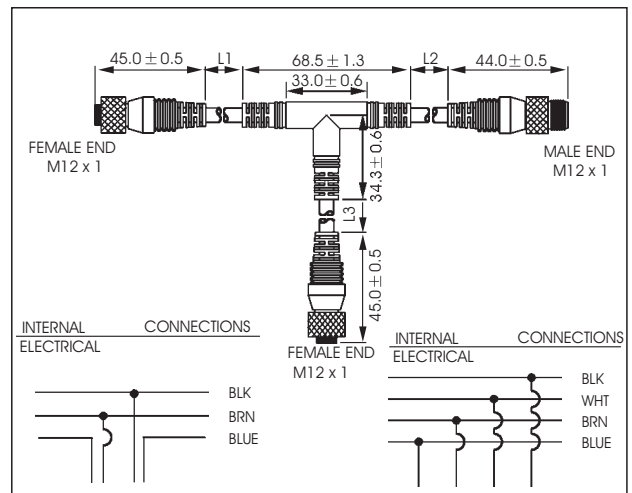
CABLE EXTENSIONS, IP68(M12 TO M12)

View



- Cable Extensions
- Euro-style(M12)
- Screw locking with (auto) securing safety nut
- Female euro-style (M12)
- Screw locking with (auto) securing safety nut

Dimensional data



Technical Data

Application Class: HNA acc.to DIN 40040
 (-25 °C / +90 °C / <100%rF)

Body: TPU, self-extinguishing

Nominal Power: 4A

Nominal Voltage: 250VAC/300VDC

Locking Nut: Nickel plated brass

Catalog Number

Part-No	Poles	Face View female/male	Color Code	Conductors		Outer Jacket	
				Guage	Stranding	φ mm	Material
M-2RMS3TZV1032+ RFS4TPY1042	3		1=brown 2=white 3=blue 4=black	0.25mm ²	32x φ 0.10	5.0	PVC
M-RMS3TZV1032+ 2RFS4/3TPY1032	3		1=brown 2= - 3=blue 4=black	0.34mm ²	42x φ 0.10	5.0	PVC
M-RMS4TZV1042+ 2RFA4TPV1042P	4		1=brown 2=white 3=blue 4=black	0.50mm ²	16x φ 0.20	5.0	PVC

Standard length: 0.3m, 0.6m, 1.0m, 1.5m, 2.0m. other cable length or cable specifications on request.

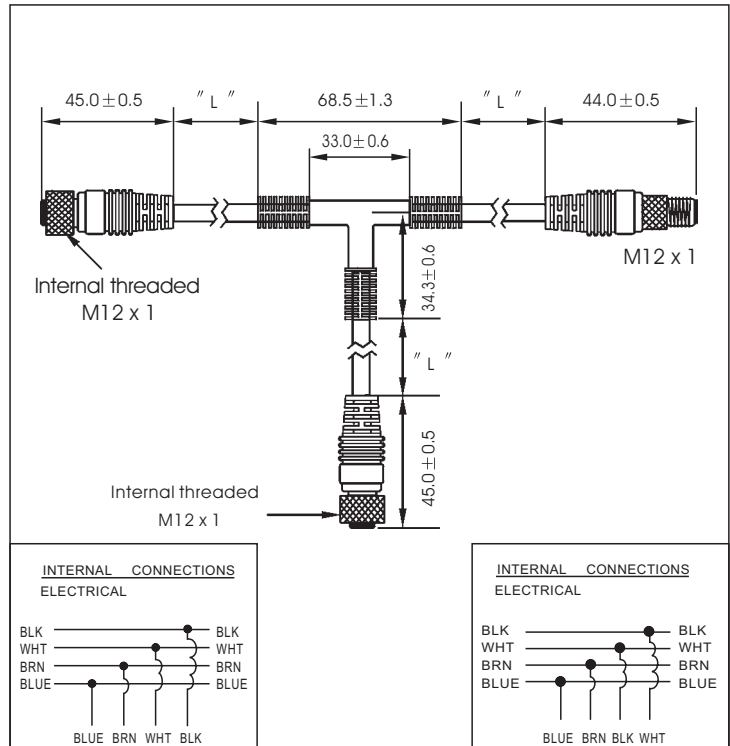
CABLE EXTENSIONS, IP68 (M12 TO M12)

View



- Cable Extensions
- Male Euro-style (M12)
- Screw locking with (auto) securing safety nut
- Female Euro-style (M12)
- Screw locking with (auto) securing safety nut

Dimensional data



Technical Data

Application Class: HNA acc.to DIN 40040

$(-25\text{ }^{\circ}\text{C} / +90\text{ }^{\circ}\text{C} / <100\%\text{rF})$

Body: PVC, self-extinguishing

Nominal Power: 4A

Nominal Voltage: 250VAC/300VDC

Locking Nut: Nickel plated brass

Catalog Number

Part-No	Poles	Face View female/male	Color Code	Conductors		Outer Jacket	
				Guage	Stranding	ϕ mm	Material
M-2RFS4TZ+ RMS4TZV80xx-A	4		1=brown 2=white 3=blue 4=black	0.82mm ²	16 x ϕ 0.25	6.2	PVC
M-2RFS4TZ+ RMS4TZV80xx-B			1=brown 2=white 3=blue 4=black				

Standard length: 0.3m, 0.6m, 1.0m, 1.5m, 2.0m. Other cable length or cable specifications on request.

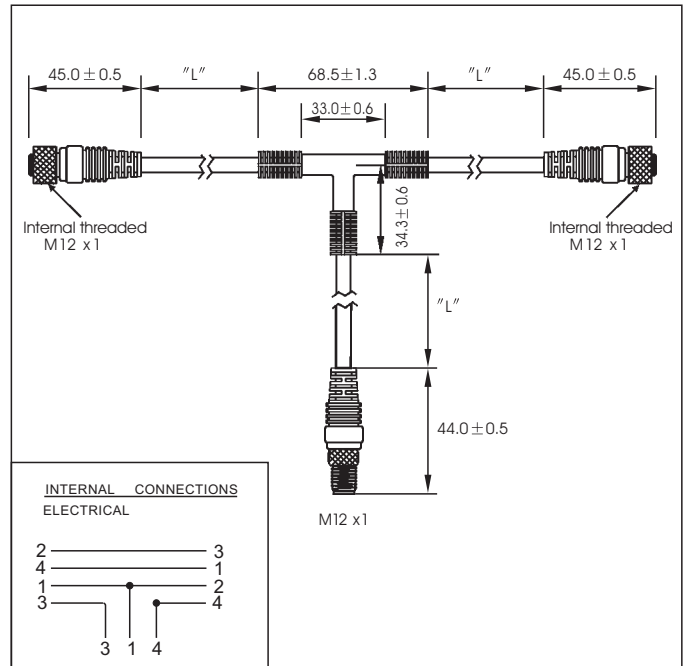
CABLE EXTENSIONS, IP68 (M12 TO M12)

View



- Cable Extensions
- Male Euro-style (M12)
- Screw locking with (auto) securing safety nut
- Female Euro-style (M12)
- Screw locking with (auto) securing safety nut

Dimensional data



Technical Data

Application Class: HNA acc.to DIN 40040
 (-25 °C / +90 °C / <100%rF)

Body: PVC, self-extinguishing

Nominal Power: 4A

Nominal Voltage: 250VAC/300VDC

Locking Nut: Nickel plated brass

Catalog Number

Part-No	Poles	Face View male/female	Color Code	Conductors		Outer Jacket	
				Guage	Stranding	φ mm	Material
M-2RFS4+ RMS3TZV80xx	4		1=brown 2=white 3=blue 4=black	0.82mm ²	16 x φ 0.25	6.2	PVC

Standard length: 0.3m, 0.6m, 1.0m, 1.5m, 2.0m. Other cable length or cable specifications on request.

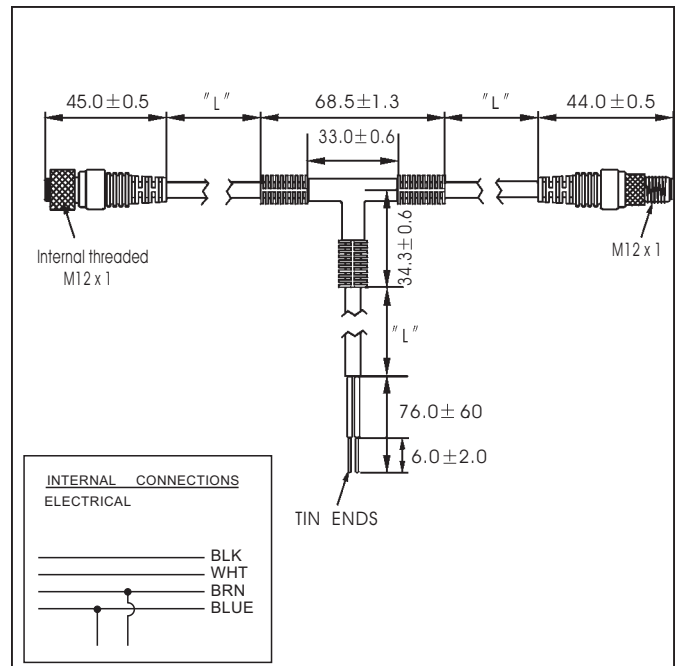
CABLE EXTENSIONS, IP68 (M12 TO M12)

View



- Cable Extensions
- Male Euro-style (M12)
- Screw locking with (auto) securing safety nut
- Female euro-style (M12)
- Screw locking with (auto) securing safety nut

Dimensional data



Technical Data

Application Class: HNA acc.to DIN 40040
 (-25°C / +90 °C / <100%rF)

Body: PVC, self-extinguishing

Nominal Power: 4A

Nominal Voltage: 250VAC/300VDC

Locking Nut: Nickel plated brass

Catalog Number

Part-No	Poles	Face View male/female	Color Code	Conductors		Outer Jacket	
				Guage	Stranding	φ mm	Material
M - 3 R S 4 T Z V 8 0 X X	4		1=brown 2=white 3=blue 4=black	0.82mm ²	16 x φ 0.25	6.2	PVC

Standard length: 0.3m, 0.6m, 1.0m, 1.5m, 2.0m. Other cable length or cable specifications on request.

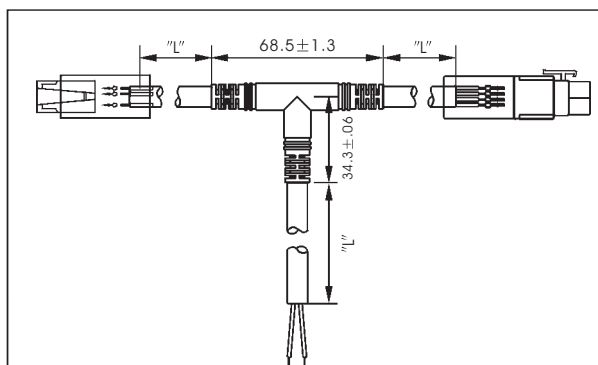
CABLE EXTENSIONS, IP68(M12 TO M12)

View

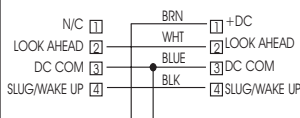


- Female euro-style (M12)
- Cable Extensions
- Screw locking with (auto) securing safety nut
- Euro-style(M12)

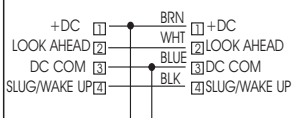
Dimensional data



INTERNAL CONNECTIONS ELECTRICAL



INTERNAL CONNECTIONS ELECTRICAL



Technical Data

Application Class: HNA acc.to DIN 40040
 (-25 °C / +90 °C / <100%rF)
 Body: PVC, self-extinguishing

Nominal Power: 4A
 Nominal Voltage: 250VAC/300VDC
 Locking Nut: Nickel plated brass

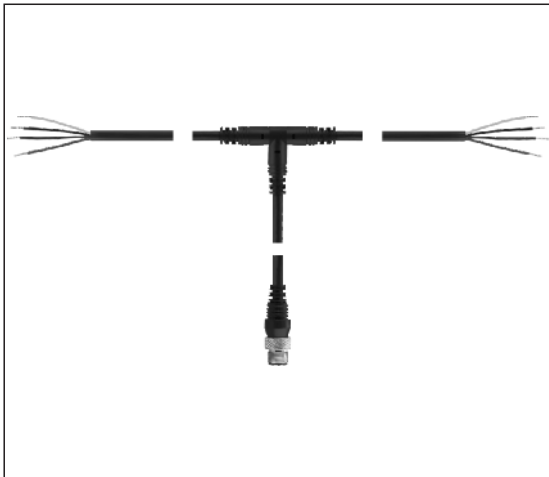
Catalog Number

Part-No	Poles	Wire Entry View	Color Code	Conductors		Outer Jacket	
				Guage	Stranding	φ mm	Material
M-3RS4/3/2TZV83xx	4		1=brown 2=white 3=blue 4=black	1.3mm ²	25 x φ 0.25	7.0	PVC
M-3RS4/2TZV83xx	4		1=brown 2=white 3=blue 4=black	1.3mm ²	25 x φ 0.25	7.0	PVC

Standard length: 0.3m 0.6m 1.0m 1.5 m.2.0m. Other cable length or cable specifications on request.

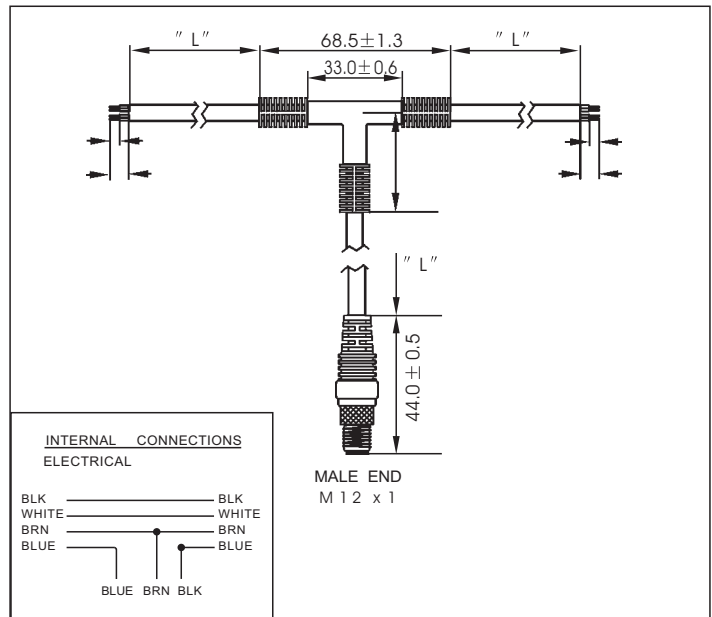
CABLE EXTENSIONS, IP68 (M12 TO M12)

View



- Cable Extensions
- Male euro-style (M12)
- Screw locking with (auto) securing safety nut

Dimensional data



Technical Data

Application Class: HNA acc.to DIN 40040
 (-25°C / + 90°C / <100%rF)

Body: TPU, self-extinguishing

Nominal Power: 4 A

Nominal Voltage: 250VAC/300VDC

Locking Nut: Nickel plated brass

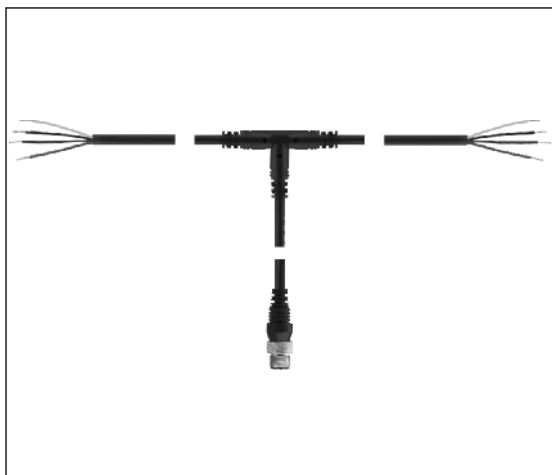
Catalog Number

Part-No	Poles	Face View male	Color Code	Conductors		Outer Jacket	
				Guage	Stranding	φ mm	Material
M - RMS 4 / 3 T Z V 8 4 x x	4		1=brown 2= 3=blue 4=black	0.82mm ²	16 x φ 0.25	6.2	PVC

Standard length: 0.3m, 0.6m, 1.0m, 1.5m, 2.0m. Other cable length or cable specifications on request.

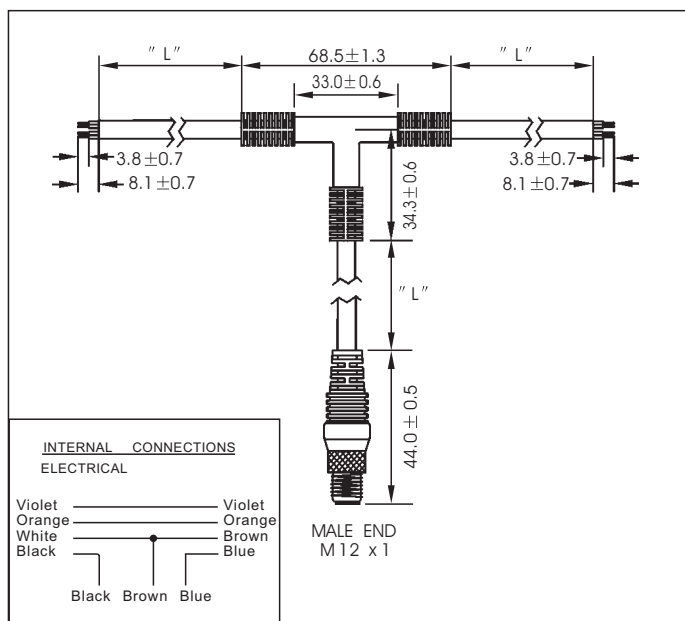
CABLE EXTENSIONS, IP68 (M12 TO M12)

View



- Cable Extensions
- Male euro-style (M12)
- Screw locking with (auto) securing safety nut

Dimensional data



Technical Data

Application Class: HNA acc.to DIN 40040
 (-25°C/+90°C /<100%rF)

Body: PVC, self-extinguishing

Nominal Power: 4 A

Nominal Voltage: 250VAC/300VDC

Locking Nut: Nickel plated brass

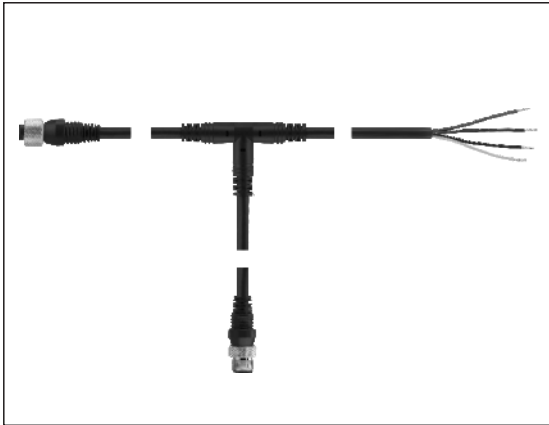
Catalog Number

Part-No	Poles	Face View male	Color Code	Conductors		Outer Jacket	
				Guage	Stranding	φ mm	Material
M - RMS 3 T Z V 8 4 x x	4		1=brown 3=blue 4=black	0.82mm ²	16 x φ 0.25	6.2	PVC

Standard length: 0.3m, 0.6m, 1.0m, 1.5m, 2.0m. Other cable length or cable specifications on request.

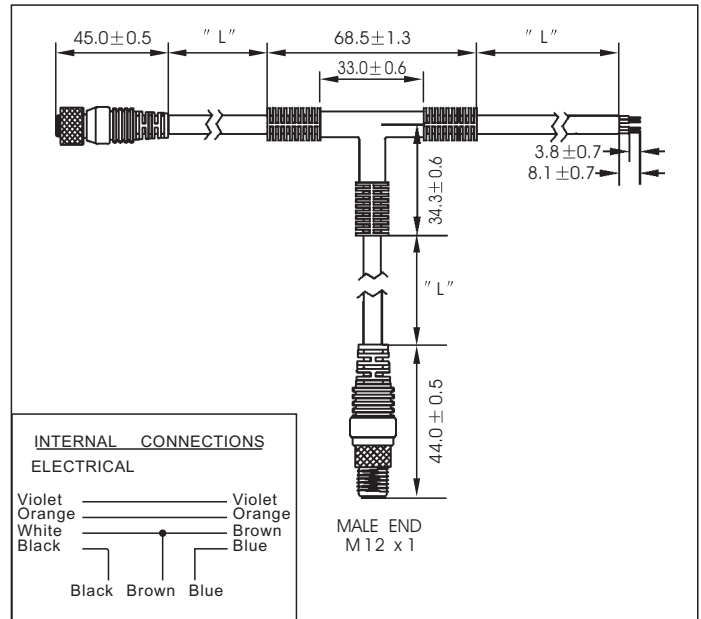
CABLE EXTENSIONS, IP68 (M12 TO M12)

View



- Cable Extensions
- Male euro-style (M12)
- Female euro-style (M12)
- Screw locking with (auto) securing safety nut

Dimensional data



Technical Data

Application Class: HNA acc.to DIN 40040
 (-25°C/+90°C /<100%rF)

Body: PVC, self-extinguishing

Nominal Power: 4 A

Nominal Voltage: 250VAC/300VDC

Locking Nut: Nickel plated brass

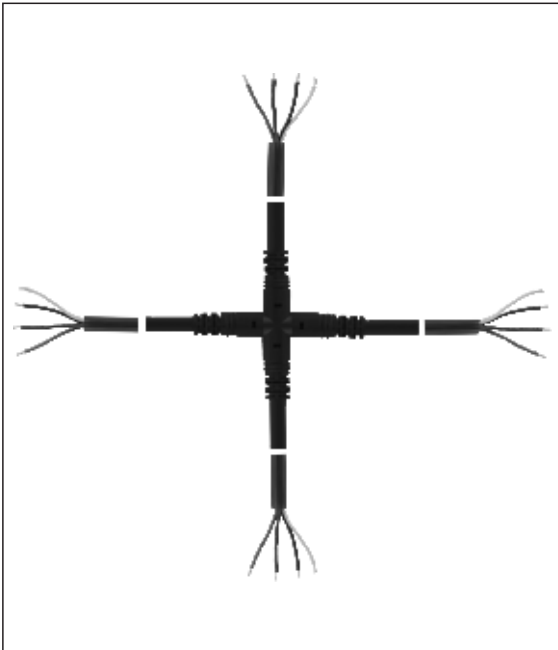
Catalog Number

Part-No	Poles	Face View male/female	Color Code	Conductors		Outer Jacket	
				Guage	Stranding	φ mm	Material
M-RMS4/3TZV84xx +RFS4TZV85xx	4		1=violet 2=white 3=orange 4=black	0.82mm ²	16 x φ 0.25	6.2	PVC
			1=brown 2= - 3=blue 4=black				

Standard length: 0.3m, 0.6m, 1.0m, 1.5m, 2.0m. Other cable length or cable specifications on request.

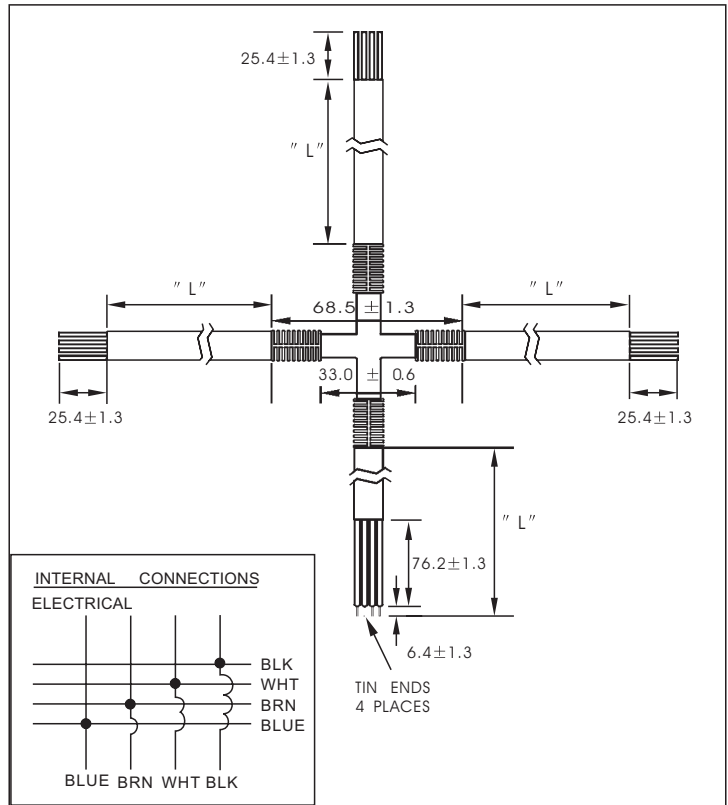
CABLE EXTENSIONS, (M12 TO M12)

View



- Cable Extensions
- M12 T Cable

Dimensional data



Technical Data

Application Class: HNA acc.to DIN 40040
 (-25 °C / +90 °C / <100%rF)

Body: PVC, self-extinguishing

Nominal Power: 4A

Nominal Voltage: 250VAC/300VDC

Contact Resistance: <5m ohm

Catalog Number

Part-No	Poles	Face View female/male	Color Code	Conductors		Outer Jacket	
				Guage	Stranding	φ mm	Material
M-4RA4/4TZV80xx	4	—	1=brown 2=white 3=blue 4=black	0.82mm ²	16 x φ 0.25	6.2	PVC

Standard length: 0.3m, 0.6m, 1.0m, 1.5m, 2.0m. Other cable length or cable specifications on request.