

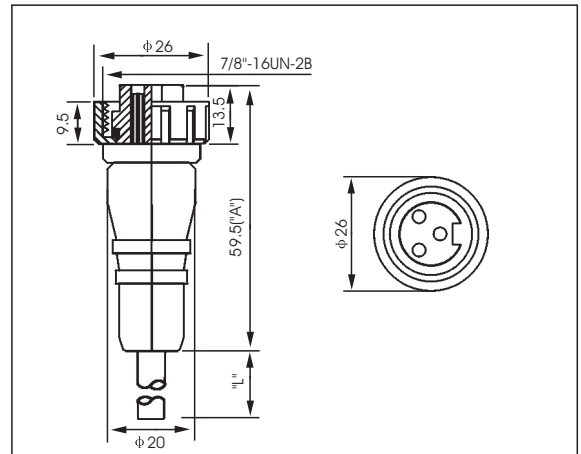
# MINI-STYLE QUICK DISCONNECT CABLES

## View



- Female Mini-style
- With locknut and moulded cable
- Orange

## Dimensional data



## Technical Data

Application Class: GNA acc. to DIN 40040  
 (-40 °C / +90 °C / ≤ 100%)  
 Moulded Body: TPU, self-extinguishing  
 Nominal Power: 2+3poles 12A/ 4+5poles 9A  
 Nominal Voltage: 250VAC  
 Body: TPU, self-extinguishing  
 Contact: CuZn, 3 microns silver-plated  
 and 0.25 microns gold-plated  
 Insertion Force/Contact: ≤ 3N

Withdrawal Force/Contact: ≥ 1N  
 Protection: IP 68  
 Water Pressure Resistance: 10 bar  
 Insulation Group: C acc.to VDE 0110  
 Contact Resistance : ≤ 5m Ω  
 Test Voltage: 2+3poles, 2.5 KV eff./60s./  
 4+5poles, 1.5 KV eff./60s.  
 Insulation Resistance: > 10<sup>9</sup>Ω  
 CSA certified: 219967

## Catalog Number

Part-No	Poles	Face View female	Color code	Conductors		Outer Jacket	
				Guage	Stranding	φ mm	Material
Z-FS2PAV012	2		1=brown 2=blue	0.75mm <sup>2</sup>	22xφ0.20	6.8	PVC
Z-FS3PAV032	3		1=brown 2=yellow/green 3=blue	0.75mm <sup>2</sup>	22xφ0.20	7.2	PVC
Z-FS3PAV082/B			1=brown 2=black 3=blue	0.50mm <sup>2</sup>	16xφ0.20	6.3	
Z-FS4PAV422	4		1=brown 2=white 3=blue 4=black	0.50mm <sup>2</sup>	16xφ0.20	6.3	PVC
Z-FS5PAV022	5		1=black 2=blue 3=yellow/green 4=brown 5=white	0.50mm <sup>2</sup>	16xφ0.20	6.8	PVC

Standard length: 2.0 m and 5.0 m. Other cable length or cable specifications on request.

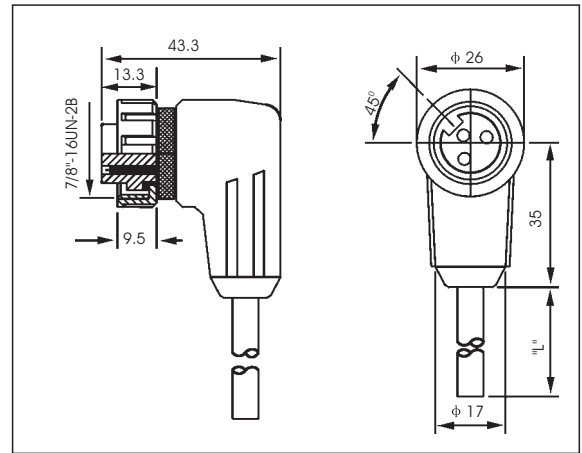
# MINI-STYLE QUICK DISCONNECT CABLES

## View



- Female Mini-style
- Right-angle style
- With screw-lock and moulded cable
- Orange

## Dimensional data



## Technical Data

Application Class: GNA acc. to DIN 40040  
 (-40 °C / +90 °C / ≤ 100%rF)

Moulded Body: TPU, self-extinguishing

Nominal Power: 2+3poles 12A/ 4+5poles 9

Nominal Voltage: 250VAC

Body: TPU, self-extinguishing

Contact: CuZn, 3 microns silver-plated  
 and 0.25 microns gold-plated

Insertion Force/Contact: ≤ 3N

Withdrawal Force/Contact: ≥ 3N

Protection : IP 68

Water Pressure resistance: 10 bar

Insulation Group: C acc.to VDE 0110

Contact Resistance: ≤ 5m Ω

Test Voltage: 2+3poles, 2.0 KV eff./60s./  
 4+5poles, 1.5 KV eff./60s.

Insulation Resistance: >10<sup>9</sup> Ω

CSA certified: 219967

## Catalog Number

Part-No	Poles	Face View female	Color Code	Conductors		Outer Jacket	
				Guage	Stranding	φ mm	Material
Z-FA2PAV012	2		1=brown 2=blue	0.75mm <sup>2</sup>	22 x φ0.20	6.8	PVC
Z-FA3PAV032	3		1=brown 2=yellow/green 3=blue	0.75mm <sup>2</sup>	22 x φ0.20	7.2	PVC
Z-FA3PAV082/B			1=brown 2=black 3=blue	0.50mm <sup>2</sup>	16 x φ0.20	6.3	
Z-FA4PAV422	4		1=brown 2=white 3=blue 4=black	0.50mm <sup>2</sup>	16 x φ0.20	6.3	PVC
Z-FA5PAV022	5		1=black 2=blue 3=yellow/green 4=brown 5=white	0.50mm <sup>2</sup>	16 x φ0.20	6.8	PVC

Standard Length: 2.0 m and 5.0 m. Other cable length or cable specifications on request.

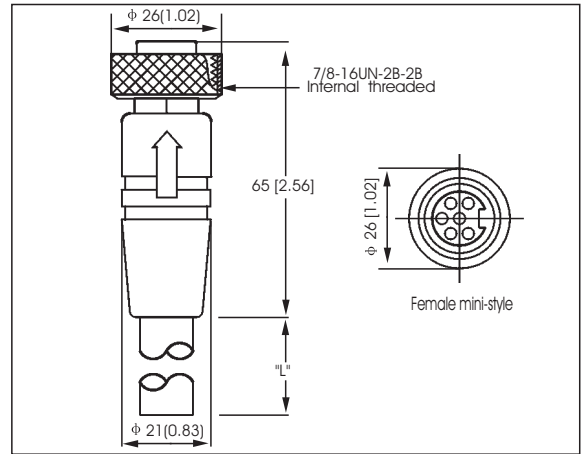
# MINI-STYLE QUICK DISCONNECT CABLES

## View



- With locknut and moulded cable
- Orange

## Dimensional data



## Technical Data

Application Class: GNA acc. to DIN 40040  
 (-40 °C / +90 °C / ≤ 100%)  
 Moulded Body: TPU, self-extinguishing  
 Nominal Power: 2+3poles 12A/ 4+5poles 9A  
 Nominal Voltage: 250VAC  
 Body: TPU, self-extinguishing  
 locking Nut: Nickel plated brass  
 Contact: CuZn, 3 microns silver-plated  
 and 0.25 microns gold-plated  
 Insertion Force/Contact: ≤ 3N

Withdrawal Force/Contact: ≥ 1N  
 Protection: IP 68  
 Water Pressure resistance: 10 bar  
 Insulation Group: C acc.to VDE 0110  
 Contact Resistance : ≤ 5m Ω  
 Test Voltage: 2+3poles, 2.5 KV eff./60s./  
 4+5poles, 1.5 KV eff./60s.  
 Insulation Resistance: >10<sup>9</sup> Ω  
 CSA certified: 219967

## Catalog Number

Part-No	Poles	Face View female	Color Code	Conductors		Outer Jacket	
				Guage	Stranding	φ mm	Material
Z-FS2KAV012	2		1=brown 2=blue	0.75mm <sup>2</sup>	22xφ0.20	6.8	PVC
Z-FS3KAV082	3		1=brown 2=black 3=blue	0.50mm <sup>2</sup>	16 xφ0.20	6.3	PVC
Z-FS4KAV422	4		1=brown 2=white 3=blue 4=black	0.50mm <sup>2</sup>	16 xφ0.20	6.3	PVC
Z-FS5KAV432	5		1=black 2=blue 3=yellow/ Green 4=brown 5=white	0.50mm <sup>2</sup>	16 xφ0.20	6.8	PVC
Z-FS6KAV442	6		1=black 2=blue 3=yellow 4=brown 5=white 6=green	0.50mm <sup>2</sup>	16 xφ0.20	6.8	PVC

Standard length: 2.0 m and 5.0 m. Other cable length or cable specifications on request.

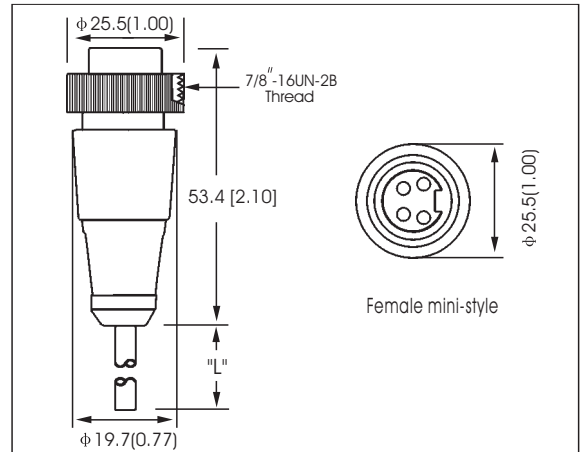
# MINI-STYLE QUICK DISCONNECT CABLES

## View



- With locknut and Moulded cable
- Yellow
- Female Mini-style

## Dimensional data




## Technical Data

Application Class: GNAcc. to DIN 40040  
 (-40 °C / +90 °C / ≤ 100%)  
 Moulded Body: TPU, self-extinguishing  
 Nominal Power: 2+3poles 12A/ 4+5poles 9A  
 Nominal Voltage: 250VAC  
 Body: TPU, self-extinguishing  
 Locking Nut: Painting Aluminum  
 Contact: CuZn, 3 microns silver-plated and 0.25 microns gold-plated  
 Insertion Force/Contact: ≤ 3N

Withdrawal Force/Contact: ≥ 1N  
 Protection: IP 68  
 Water Pressure Resistance: 10 bar  
 Insulation Group: C acc. to VDE 0110  
 Contact Resistance: ≤ 5m Ω  
 Test Voltage: 2+3poles, 2.5 KV eff./60s.  
 4+5poles, 1.5 KV eff./60s.  
 Insulation Resistance: >10<sup>9</sup> Ω  
 CSA certified: 219967

## Catalog Number

Part-No	Poles	Face View male	Color Code	Conductors		Outer Jacket	
				Guage	Stranding	φ mm	Material
Z-FS4KAY762	4		1=brown 2=white 3=blue 4=black	0.34mm <sup>2</sup>	26 x φ0.13	5.3	PUR

Standard length: 2.0 m and 5.0 m. Other cable length or cable specifications on request.

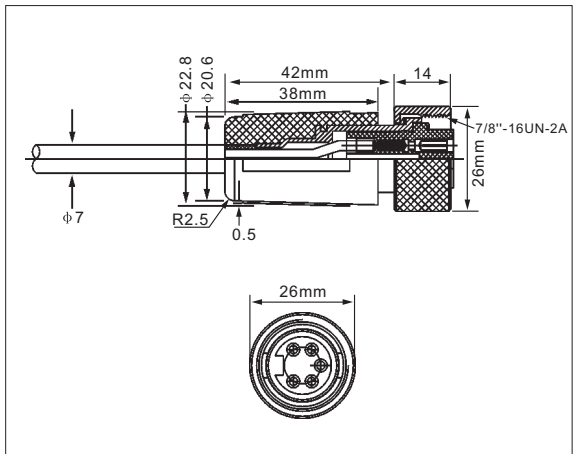
# MINI-STYLE QUICK DISCONNECT CABLES

## View



- Female Mini-style receptacle
- Yellow
- Solder contacts Potted with epoxy

## Dimensional data



## Technical Data

Operating temperature: -20 °C ~90 °C

Protection: IP 68

Nominal Voltage: 300V

Water Pressure resistance: 10 bar

Material: PVC

Insulation Resistance: >10<sup>9</sup> Ω

Withdrawal Force/Contact: ≥ 1N

CSA certified: 219967

## Catalog Number

Part-No	Poles	Face View female	Color Code	Conductors		Outer Jacket	
				Guage	Stranding	φ mm	Material
<b>Z-FS5KAV13015</b>	5		1=Black 2=Blue 3=Drain 4=Brown 5=White	0.48mm <sup>2</sup>	19x φ 0.18	7	PVC
					16x φ 0.254 (for Drain wire)		
<b>Cable detail</b>							

Cable length: 15m. Other cable length or cable specifications on request.