

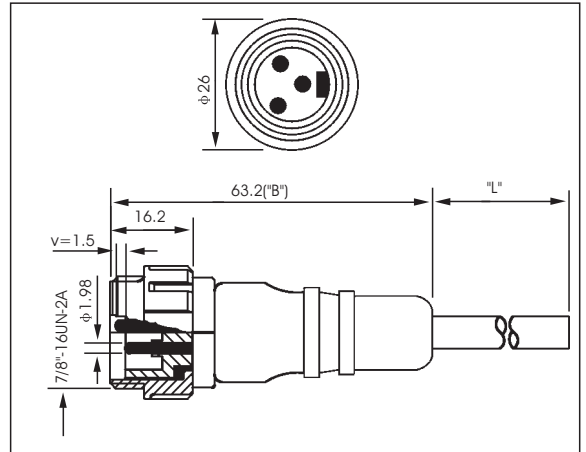
MINI-STYLE QUICK DISCONNECT CABLES

View



- Mini-style
- With locknut and moulded Cable ,orange

Dimensional data



Technical Data

Application Class: GNAcc. to DIN 40040
 (-40 °C / +9 °C / ≤ 100%)

Moulded Body: TPU, self-extinguishing

Nominal Power: 2+3poles 12A/ 4+5poles 9A

Nominal Voltage: 250VAC

Contact: CuZn, 3 microns silver-plated
 and 0.25 microns gold-plated

Body: TPU, self-extinguishing

Protection: IP 68

Water Pressure Resistance: 10 bar

Insulation Group: C acc.to VDE 0110

Test Voltage: 2+3poles, 2.5 KV eff./60s./
 4+5poles, 1.5 KV eff./60s.

Insulation Resistance: > 10⁹ Ω

CSA certified: 219967

Catalog Number

Part-No	Poles	Face View male	Color Code	Conductors		Outer Jacket	
				Guage	Stranding	φ mm	Material
Z-MS2PAV012	2		1=brown 2=blue	0.75mm ²	22xφ 0.20	6.8	PVC
Z-MS3PAV032	3		1=brown 2=yellow/green 3=blue	0.75mm ²	22xφ 0.20	7.2	PVC
Z-MS3PAV082/B			1=brown 2=black 3=blue	0.50mm ²	16xφ 0.20	6.3	
Z-MS4PAV422	4		1=brown 2=white 3=blue 4=black	0.50mm ²	16xφ 0.20	6.3	PVC
Z-MS5PAV022	5		1=black 2=blue 3=yellow/green 4=brown 5=white	0.50mm ²	16xφ 0.20	6.8	PVC

Standard length: 2.0 m and 5.0 m. Other cable length or cable specifications on request.

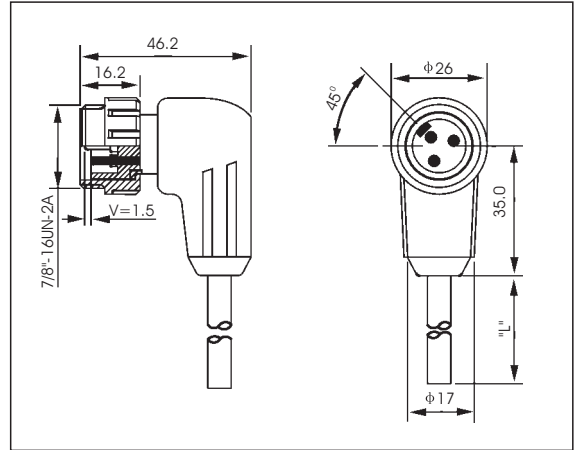
MINI-STYLE QUICK DISCONNECT CABLES

View



- Right-angle style
- With screw-lock and moulded cable
- Orange

Dimensional data



Technical Data

Application Class: GNA acc. to DIN 40040
 (-40 °C / +90 °C / ≤ 100%rF)

Moulded Body: TPU, self-extinguishing

Nominal Power: 2+3poles 12A / 4+5poles 9A

Nominal Voltage: 250VAC

Contact: CuZn, 3 microns silver-plated
 and 0.25 microns gold-plated

Body : TPU, self-extinguishing

Protection : IP 68

Water Pressure Resistance: 10 bar

Insulation Group: C acc.to VDE 0110

Test Voltage: 2+3poles, 2.5 KV eff./60s./
 4+5poles, 1.5 KV eff./60s.

Insulation Resistance: >10⁹ Ω

CSA certified: 219967

Catalog Number

Part-No	Poles	Face View male	Color Code	Conductors		Outer Jacket	
				Guage	Stranding	φ mm	Material
Z-MA2PAV012	2		1=brown 2=blue	0.75mm ²	22xφ0.20	6.8	PVC
Z-MA3PAV032	3		1=brown 2=yellow/green 3=blue	0.75mm ²	22xφ0.20	7.2	PVC
Z-MA3PAV082/B			1=brown 2=black 3=blue	0.50mm ²	16xφ0.20	6.3	
Z-MA4PAV422	4		1=brown 2=white 3=blue 4=black	0.50mm ²	16xφ0.20	6.3	PVC
Z-MA5PAV022	5		1=black 2=blue 3=yellow/green 4=brown 5=white	0.50mm ²	16xφ0.20	6.8	PVC

Standard length: 2.0 m and 5.0 m. Other cable length or cable specifications on request.

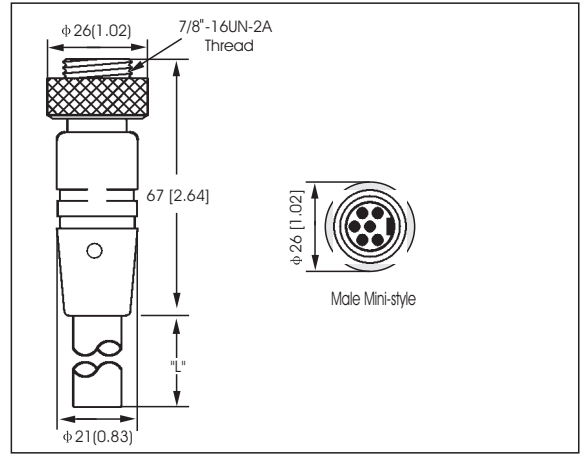
MINI-STYLE QUICK DISCONNECT CABLES

View



- With locknut and Moulded cable
- Orange.

Dimensional data



Technical Data

Application Class: GNAcc. to DIN 40040
 (-40 °C / +90 °C / ≤ 100%)
 Moulded Body: TPU, self-extinguishing
 Nominal Power: 2+3poles 12A/ 4+5poles 9A
 Nominal Voltage: 250VAC
 Body: TPU, self-extinguishing
 locking Nut: Nickel plated brass
 Contact: CuZn, 3 microns silver-plated and 0.25 microns gold-plated
 Insertion Force/Contact: ≤ 3N

Withdrawal Force/Contact: ≥ 1N
 Protection: IP 68
 Water Pressure Resistance: 10 bar
 Insulation Group: C acc.to VDE 0110
 Contact Resistance: ≤ 5mΩ
 Test Voltage: 2+3poles, 2.5 KV eff./60s./
 4+5poles, 1.5 KV eff./60s.
 Insulation Resistance: >10⁹Ω
 CSA certified: 219967

Catalog Number

Part-No	Poles	Face View male	Color Code	Conductors		Outer Jacket	
				Guage	Stranding	φ mm	Material
Z-MS2KAV012	2		1=brown 2=blue	0.75mm ²	22x φ0.20	6.8	PVC
Z-MS3KAV082	3		1=brown 2=black 3=blue	0.50mm ²	16 x φ0.20	6.3	PVC
Z-MS4KAV422	4		1=brown 2=white 3=blue 4=black	0.50mm ²	16 x φ0.20	6.3	PVC
Z-MS5KAV432	5		1=black 2=blue 3=yellow/ green 4=brown 5=white	0.50mm ²	16 x φ0.20	6.8	PVC
Z-MS6KAV442	6		1=black 2=blue 3=yellow 4=brown 5=white 6=green	0.50mm ²	16 x φ0.20	6.8	PVC

Standard length: 2.0 m and 5.0 m. Other cable length or cable specifications on request.

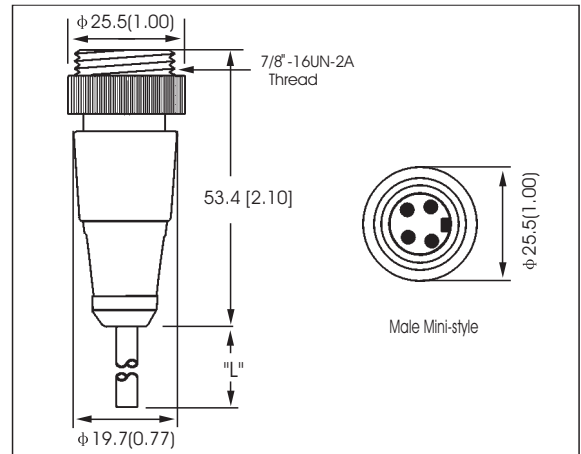
MINI-STYLE QUICK DISCONNECT CABLES

View



- With locknut and Moulded cable
- Yellow
- Male Mini-style

Dimensional data



Technical Data

Application Class: GNAacc. to DIN 40040
 (-40 °C / +90 °C / ≤ 100%)

Moulded Body: TPU, self-extinguishing

Nominal Power: 2+3poles 12A / 4+5poles 9A

Nominal Voltage: 250VAC

Body: TPU, self-extinguishing

Locking Nut: Painting Aluminum

Contact: CuZn, 3 microns silver-plated and 0.25 microns gold-plated

Insertion Force/Contact: ≤ 3N

Withdrawal Force/Contact: ≥ 1N

Protection: IP 68

Water Pressure Resistance: 10 bar

Insulation Group: C acc.to VDE 0110

Contact Resistance: ≤ 5m Ω

Test Voltage: 2+3poles, 2.5 KV eff./60s.
 4+5poles, 1.5 KV eff./60s.

Insulation Resistance: >10⁹ Ω

CSA certified: 219967

Catalog Number

Part-No	Poles	Face View male	Color Code	Conductors		Outer Jacket	
				Guage	Stranding	φ mm	Material
Z-MS4KAY762	4		1=brown 2=white 3=blue 4=black	0.34mm ²	26 x φ0.13	5.3	PUR

Standard length: 2.0 m and 5.0 m. Other cable length or cable specifications on request.