

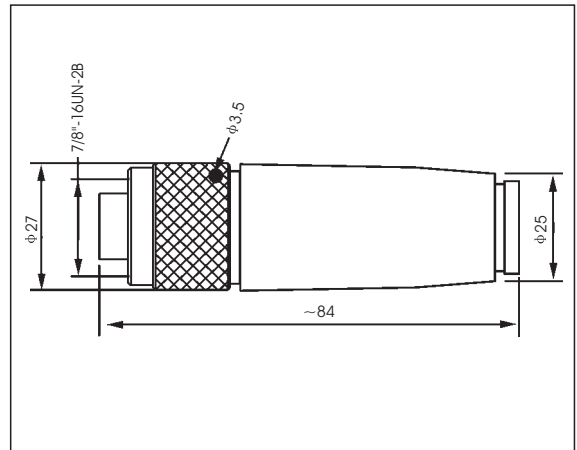
# MINI-STYLE QUICK DISCONNECT RECEPTACLES

## View



- Convenient screw terminations
- Easy assembly for modification of existing installations
- Thread grommet sizes PG9, PG11, PG13.5, PG16
- Nylon molded connector shell

## Dimensional data



## Technical Data

Application Class: GNA acc. to DIN 40040  
 (-40 °C / +90 °C / ≤ 100%rF)

Insert: TPU

Nominal Power: 2+3poles 12A / 4+5poles 9A

Nominal Voltage: 250VAC

Body: PA6.6 self-extinguishing

Contact: CuZn, 3 microns silver-plated  
 and 0.25 microns gold-plated

Insertion Force/Contact: ≤ 5N

Withdrawal Force/Contact: ≥ 3N

O-Ring: NBR

Protection: IP 67 (only in fully locked position)

Locknut: Steel, galvanized and chromated

Mode of Connection: Screw clamps

Contact Resistance: ≤ 5m Ω

Test Voltage: 3poles, 2.5 KV eff./60s./  
 4+5poles, 1.5 KV eff./60s.

Insulation Resistance: >10<sup>9</sup> Ω

CSA certified: 219967

## Catalog Number

Part-No	Poles	Face View female	Max. Wire section (mm <sup>2</sup> )	Screw Joint for cable
Z-FS3KA/PG9	3		Max. 1.5 mm <sup>2</sup>	PG 9 φ 6...8 mm
Z-FS3KA/PG11				PG 11 φ 8...10 mm
Z-FS3KA/PG13.5				PG 13.5 φ 10...12 mm
Z-FS3KA/PG16				PG 16 φ 12...14 mm
Z-FS4KA/PG9	4		Max. 1.5 mm <sup>2</sup>	PG 9 φ 6...8 mm
Z-FS4KA/PG11				PG 11 φ 8...10 mm
Z-FS4KA/PG13.5				PG 13.5 φ 10...12 mm
Z-FS4KA/PG16				PG 16 φ 12...14 mm
Z-FS5KA/PG9	5		Max. 1.5 mm <sup>2</sup>	PG 9 φ 6...8 mm
Z-FS5KA/PG11				PG 11 φ 8...10 mm
Z-FS5KA/PG13.5				PG 13.5 φ 10...12 mm
Z-FS5KA/PG16				PG 16 φ 12...14 mm

Standard length: 2.0 m and 5.0 m. Other cable length or cable specifications on request.

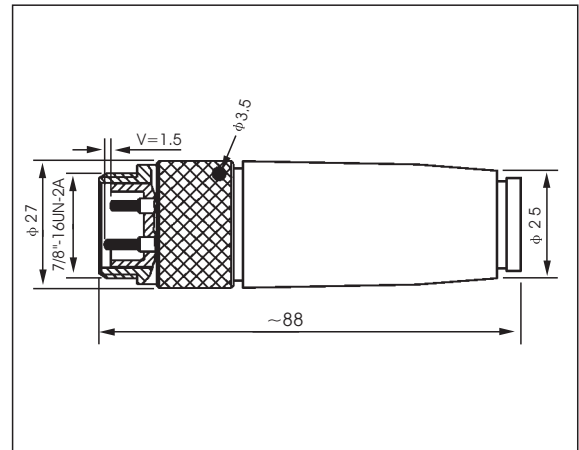
# MINI-STYLE QUICK DISCONNECT RECEPTACLES

## View



- Mini-style
- With locknut

## Dimensional data



## Technical Data

Application Class: GPD acc. to DIN 40040  
(-40 °C / +90 °C / ≤ 100%rF)

Insert: TPU  
Nominal Power: 2+3poles 12A/ 4+5poles 9A  
Nominal Voltage: 250VAC

Body: PA6.6 GV, self-extinguishing

Contact: CuZn, pre-plated and  
0.8 microns gold-plated

Insertion Force/Contact: ≤ 5N

Withdrawal Force/Contact: ≥ 3N

O-Ring: NBR

Protection: IP 67 (only in fully locked position)

Locknut: Steel, galvanized and chromated

Mode of Connection: Screw clamps

Contact Resistance: ≤ 5mΩ

Test Voltage: 3poles, 2.5 KV eff./60s.

4+5poles, 1.5 KV eff./60s.

Insulation Resistance: >10<sup>9</sup>Ω

CSA certified: 219967

## Catalog Number

Part-No	Poles	Face View male	Max. Wire section mm <sup>2</sup>	Screw Joint for cable
Z-MS3KA/PG9	3		max. 1.5 mm <sup>2</sup>	PG 9 φ 6...8 mm
Z-MS3KA/PG11				PG 11 φ 8...10 mm
Z-MS3KA/PG13.5				PG 13.5 φ 10...12 mm
Z-MS3KA/PG16				PG 16 φ 12...14 mm
Z-MS4KA/PG9	4		max. 1.5 mm <sup>2</sup>	PG 9 φ 6...8 mm
Z-MS4KA/PG11				PG 11 φ 8...10 mm
Z-MS4KA/PG13.5				PG 13.5 φ 10...12 mm
Z-MS4KA/PG16				PG 16 φ 12...14 mm
Z-MS5KA/PG9	5		max. 1.5 mm <sup>2</sup>	PG 9 φ 6...8 mm
Z-MS5KA/PG11				PG 11 φ 8...10 mm
Z-MS5KA/PG13.5				PG 13.5 φ 10...12 mm
Z-MS5KA/PG16				PG 16 φ 12...14 mm

Standard length: 2.0 m and 5.0 m. Other cable length or cable specifications on request.