

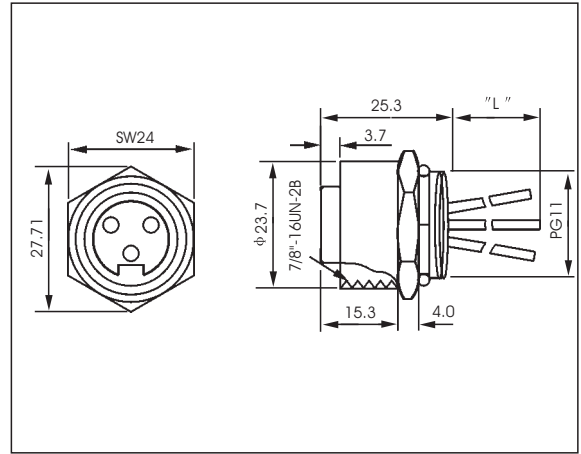
# MINI-STYLE QUICK DISCONNECT CABLES

## View



- Female Mini-style receptacle
- Front mounting, with wire ends
- Thread chassis side PG 11, screw Mounting
- From rear with nut RMF 11 (see page C-34)
- Solder contacts Potted with epoxy

## Dimensional data



## Technical Data

Application Class: GPD acc. to DIN 40040  
 (-40 °C / +90 °C / ≤ 100%)  
 Insert: TPU  
 Nominal Power: 2+3poles 12A/ 4+5poles 9A  
 Nominal Voltage: 250VAC  
 Receptacle Housing: Nickel plated brass  
 Contact: CuZn, 3 microns silver-plated  
 And 0.25 microns gold-plated  
 O-Ring: Cr, self-extinguishing  
 Insertion Force/Contact: ≤ 3N

Withdrawal Force/Contact: ≥ 1N  
 Protection: IP 68  
 Water Pressure resistance: 10 bar  
 Insulation Group: C acc.to VDE 0110  
 Contact Resistance: ≤ 10mΩ  
 Test Voltage: 2+3poles, 2.5 KV eff./60s./  
 4+5poles, 1.5 KV eff./60s.  
 Insulation Resistance: > 10<sup>9</sup>Ω  
 CSA certified: 219967

## Catalog Number

Part-No	Poles	Face View female	Color Code	Conductors		Conductor insulation φ mm(single)
				Guage	Stranding	
Z-FS2FA/0.5/PG11	2		1=brown 2=blue	0.75mm <sup>2</sup>	8x φ0.20	1.5
Z-FS3FA/0.5/PG11	3		1=brown 2=black 3=blue	0.75mm <sup>2</sup>	21x φ0.20	1.8
Z-FS4FA/0.5/PG11	4		1=brown 2=white 3=blue 4=black	0.50mm <sup>2</sup>	16x φ 0.20	1.8
Z-FS5FA/0.5/PG11	5		1=black 2=blue 3=yellow/green 4=brown 5=white	0.50mm <sup>2</sup>	16x φ 0.20	1.8

Standard length: 2.0 m and 5.0 m. Other cable length or cable specifications on request.

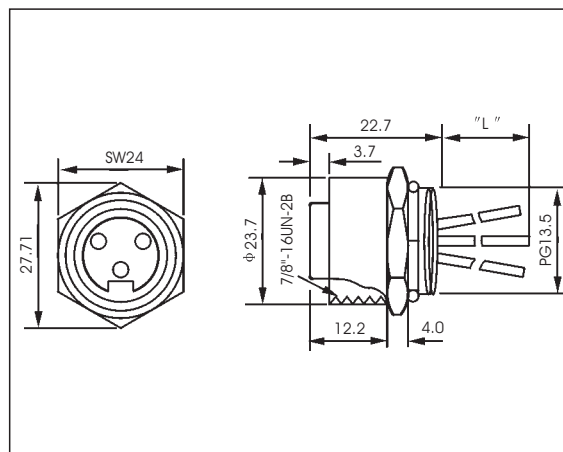
# MINI-STYLE QUICK DISCONNECT CABLES

## View



- Female Mini-style receptacle
- Front mounting
- With wire ends
- Thread chassis side PG13.5
- Screw mounting
- From rear with nut RMF13.5 (see page C-34)
- Solder contacts potted with epoxy

## Dimensional data



## Technical Data

Application Class: GPD acc. to DIN 40040  
 (-40 °C / +90 °C / ≤ 100%rF)

Insert: TPU

Nominal Power: 2+3poles 12A/ 4+5poles 9A

Nominal Voltage: 250VAC

Receptacle Housing: Nickel plated brass

Contact: CuZn, 3 microns silver-plated  
 And 0.25 microns gold-plated

O-Ring: Cr, self-extinguishing

Insertion Force/contact: ≤ 3N

Withdrawal Force/Contact: ≥ 1N

Protection : IP 68

Water Pressure Resistance: 10 bar

Insulation Group: C acc.to VDE 0110

Contact Resistance: ≤ 10m Ω

Test Voltage: 2+3poles, 2.5 KV eff./60s./  
 4+5poles, 1.5 KV eff./60s.

Insulation Resistance: >10<sup>9</sup> Ω

CSA certified: 219967

## Catalog Number

Part-No	Poles	Face View female	Color Code	Conductors		Conductor insulation φ mm(single)
				Guage	Stranding	
Z-FS2FA/0.5/PG13.5	2		1=brown 2=blue	0.75mm <sup>2</sup>	21xφ 0.20	1.8
Z-FS3FA/0.5/PG13.5	3		1=brown 2=yellow/green 3=blue	0.75mm <sup>2</sup>	21xφ 0.20	1.8
Z-FS3FA/0.5/PG13.5/B			1=brown 2=black 3=blue			
Z-FS4FA/0.5/PG13.5	4		1=brown 2=white 3=blue 4=black	0.50mm <sup>2</sup>	16xφ 0.20	1.8
Z-FS5FA/0.5/PG13.5	5		1=black 2=blue 3=yellow/green 4=brown 5=white	0.50mm <sup>2</sup>	16xφ 0.20	1.8

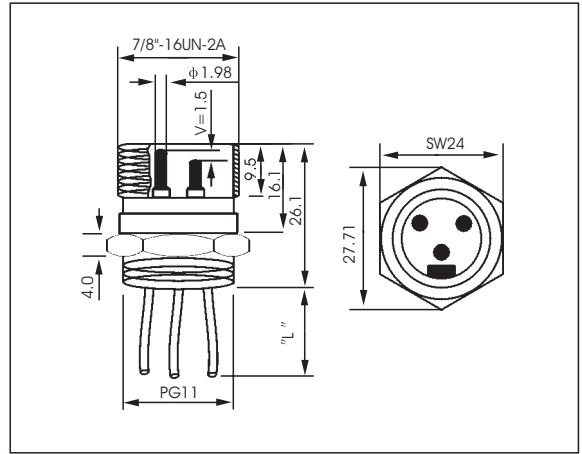
# MINI-STYLE QUICK DISCONNECT CABLES

## View



- Mini-style receptacle
- Front mounting, with wire ends
- Thread chassis side Pg 11
- Screw mounting from rear
- With nut RMF11 (see page C-34)
- Solder contacts potted with epoxy

## Dimensional data



## Technical Data

Application Class: GPD acc. to DIN 40040  
(-40 °C / +90 °C / ≤ 100%)

Insert: TPU

Nominal Power: 2+3poles 12A/ 4+5poles 9A

Nominal Voltage: 250VAC

Receptacle Housing: Nickel plated brass

Contact: CuZn, 3 microns silver-plated and 0.25 microns gold-plated

O-Ring: Cr, self-extinguishing

Protection: IP 68

Water Pressure Resistance: 10 bar

Insulation Group: C acc.to VDE 0110

Contact Resistance: ≤ 10mΩ

Test Voltage: 2+3poles, 2.5 KV eff./60s./  
4+5poles, 1.5 KV eff./60s.

Insulation Resistance: >10<sup>9</sup> Ω

CSA certified: 219967

## Catalog Number

Part-No	Poles	Face View male	Color Code	Conductors		Conductor insulation φ mm(single)
				Guage	Stranding	
Z-MS2FA/0.5/PG11	2		1=brown 2=blue	0.25mm <sup>2</sup>	8×φ0.20	1.5
Z-MS3FA/0.5/PG11	3		1=brown 2=black 3=blue	0.75mm <sup>2</sup>	21×φ0.20	1.8
Z-MS4FA/0.5/PG11	4		1=brown 2=white 3=blue 4=black	0.50mm <sup>2</sup>	16×φ0.20	1.8
Z-MS5FA/0.5/PG11	5		1=black 2=blue 3=yellow/green 4=brown 5=white	0.50mm <sup>2</sup>	16×φ0.20	1.8

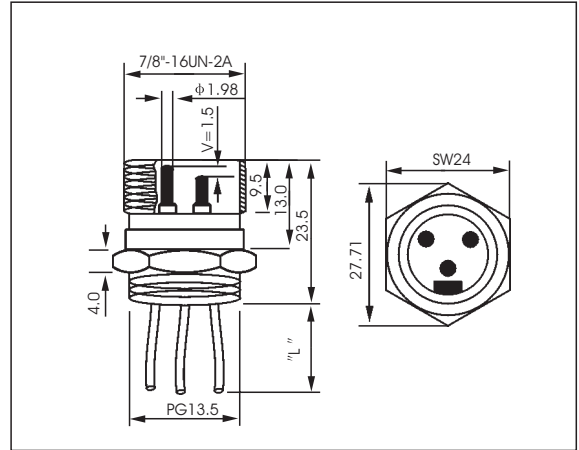
# MINI-STYLE QUICK DISCONNECT RECEPTACLES

## View



- Mini-style receptacle
- Front mounting, with wire ends
- Thread chassis side PG13.5
- Screw mounting from rear
- With nut RMF 13.5 (see page C-34)
- Solder contacts potted with epoxy

## Dimensional data



## Technical Data

Application Class: GPD acc. to DIN 40040  
(-40 °C / +90 °C / ≤ 100%rF)

Insert: TPU

Nominal Power: 2+3poles 12A/ 4+5poles 9A

Nominal Voltage: 250VAC

Receptacle Housing: Nickel plated brass

Contact: CuZn, pre-plated and 0.8 microns gold-plated

O-Ring: Cr, self-extinguishing

Protection: IP 68

Water Pressure Resistance: 10 bar

Insulation Group: C acc. to VDE 0110

Contact Resistance: ≤ 10m Ω

Test Voltage: 2+3poles, 2.0 KV eff./60s./

4+5poles, 1.5 KV eff./60s.

Insulation Resistance: >10<sup>9</sup> Ω

CSA certified: 219967

## Catalog Number

Part-No	Poles	Face View male	Color Code	Conductors		Conductor insulation φ mm(single)
				Guage	Stranding	
Z-MS2FA/0.5/PG13.5	2		1=brown 2=blue	0.25mm <sup>2</sup>	8x φ 0.20	1.5
Z-MS3FA/0.5/PG13.5	3		1=brown 2=yellow/green 3=blue	0.75mm <sup>2</sup>	21x φ 0.20	1.8
Z-MS3FA/0.5/PG13.5/B			1=brown 2=black 3=blue			
Z-MS4FA/0.5/PG13.5	4		1=brown 2=white 3=blue 4=black	0.50mm <sup>2</sup>	16 × φ 0.20	1.8
Z-MS5FA/0.5/PG13.5	5		1=black 2=blue 3=yellow/green 4=brown 5=white	0.50mm <sup>2</sup>	16 × φ 0.20	1.8

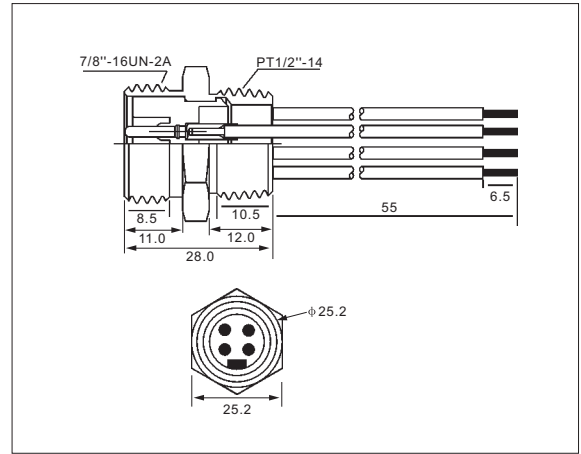
# MINI-STYLE QUICK DISCONNECT CABLES

## View



- Male Mini-style receptacle
- Front mounting , with wire ends
- Thread chassis side PT1/2"-14 , screw Mounting
- Solder contacts Potted with epoxy

## Dimensional data



## Technical Data

Application Class: GPD acc. to DIN 40040  
(-40 °C / +90 °C / ≤ 100%)

Nominal Voltage: 250VAC

Receptacle Housing: Nickel plated brass

Contact: CuZn, 3 microns silver-plated  
And 0.25 microns gold-plated

Insertion Force/Contact: ≤ 3N

Withdrawal Force/Contact: ≥ 1N

Protection: IP 68

Water Pressure resistance: 10 bar

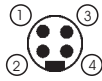
Insulation Group: C acc.to VDE 0110

Contact Resistance : ≤ 10m Ω

Insulation Resistance: >10<sup>8</sup> Ω

CSA certified: 219967

## Catalog Number

Part-No	Poles	Face View male	Color Code	Conductors		Conductor insulation φ mm(single)
				Guage	Stranding	
Z-MS4FA/0.055/PT1/2"-14	4		1=Red 2=Green 3=White 4=Black	0.35mm <sup>2</sup>	7xφ 0.254	1.6

Cable length: 55mm. Other cable length or cable specifications on request.