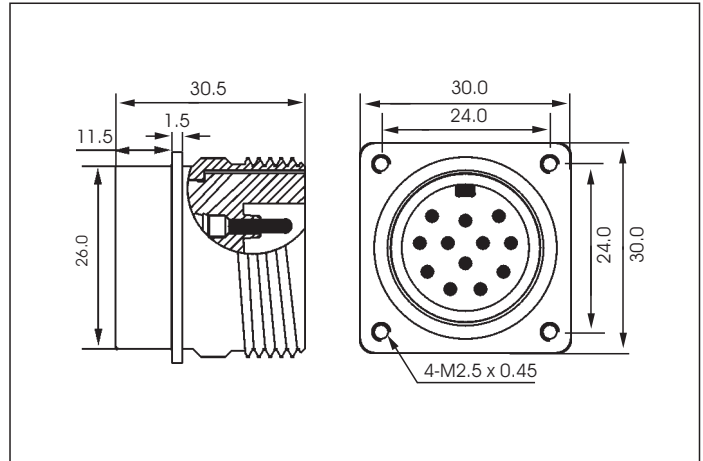


# MINI-STYLE QUICK DISCONNECT RECEPTACLES

## View



## Dimensional data



## Description


Mini Connectors for Z-FS12KAA612

## Technical Data

- 1.Application Class:** -40 °C to +90 °C
- 2.Materials:**  
 Body: PUR (Polyurethane), Yellow  
 Contact: Brass, gold over nickel plating  
 Coupling Nut: Nickel plated brass  
 Insert: PUR (Polyurethane), Yellow
- 3.Electrical Data:**  
 Contact Resistance:  $\leq 5\text{m}\Omega$   
 Current Rating: 7A  
 Working Voltage: 600VAC  
 Dielectric Withstanding Voltage: 2 kVAC RMS/60sec  
 Insulation Resistance:  $>10^9 \Omega$

- 4.Mechanical Data:**  
 Insertion Force (contact):  $\leq 3.0\text{N}$  (.67LBS)  
 Withdrawal Force (contact):  $\geq 1.0\text{N}$  (.22LBS)  
 Protection: IP68(only in fully locked position)  
 Shock: IEC-68-2-27  
 Vibration: IEC-68-2-6

- 5. CE Conformity with Standards:**  
 EN50082-1, EN50082-2 and IEC60947-5-2

Part Number	Face View of Male Plug	Poles	Screw Joint for Cable
Z-MS12FA/A24		12	11/8"-16

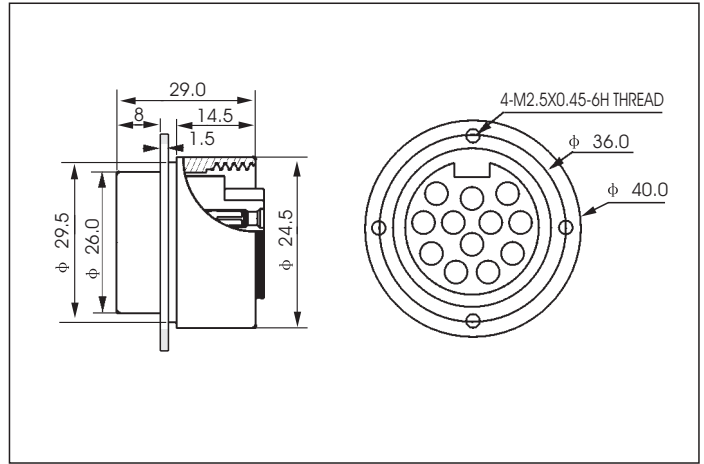
xx-Standard cable available in 2-meter(2) 5-meter(5),and 10-meter.  
 Other cable length or cable specifications on request.

# MINI-STYLE QUICK DISCONNECT RECEPTACLES

## View



## Dimensional data



## Description

Mini Connectors for Z-MS12KAA612

## Technical Data

1. Application Class: -40 °C to +90 °C

### 2. Materials:

Body: PUR (Polyurethane), Yellow  
 Contact: Brass, gold over nickel plating  
 Coupling Nut: Nickel plated brass  
 Insert: PUR (Polyurethane), Yellow

### 3. Electrical Data:

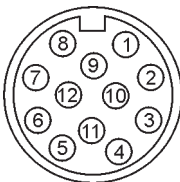
Contact Resistance:  $\leq 5m\Omega$   
 Current Rating: 7A  
 Working Voltage: 600VAC  
 Dielectric Withstanding Voltage: 2 kVAC RMS/60sec  
 Insulation Resistance:  $>10^9\Omega$

### 4. Mechanical Data:

Insertion Force (contact):  $\leq 3.0N (.67LBS)$   
 Withdrawal Force (contact):  $\geq 1.0N (.22LBS)$   
 Protection: IP68(only in fully locked position)  
 Shock: IEC-68-2-27  
 Vibration: IEC-68-2-6

### 5. CE Conformity with Standards:

EN50082-1, EN50082-2 and IEC60947-5-2

Part Number	Face View of Female Plug	Poles	Screw Joint for Cable
Z-FS12FA/C23		12	11/8"-16

xx-Standard cable available in 2-meter(2) 5-meter(5), and 10-meter.  
 Other cable length or cable specifications on request.