

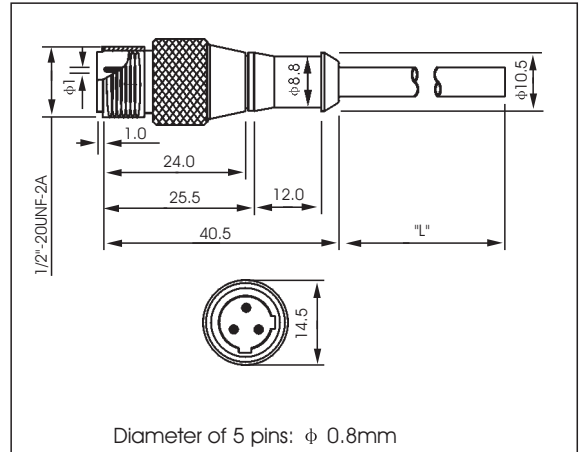
MICRO-STYLE QUICK DISCONNECT CABLES

View



- Micro-style
- Screw locking with (auto) securing safety nut
- PVC offers good resistance to oils and chemicals

Dimensional data



Technical Data

Application Class: HNA acc. to DIN 40040
(-25 °C / +90 °C / \leq 100%rF)

Moulded Body: TPU, self-extinguishing

Nominal Power: 4A

Nominal Voltage: 300VAC

Contact: CuZn, brass, pre-nickel and
0.8 microns gold-plated

Body: TPU, self-extinguishing

Securing Safety Nut: Nickel plated brass

Protection: IP 68

Test Voltage: 2.0 KV eff./60s.

Insulation Resistance: $> 10^9 \Omega$

CSA certified: 219967

Catalog Number

Part-No	Poles	Face View male	Color Code	Conductors		Outer Jacket	
				Guage	Stranding	ϕ mm	Material
U-MS3TAV152	3		1=green 2=red/black 3=red/white	0.25mm ²	26 x ϕ 0.13	5.0	PVC
U-MS4TAV162	4		1=red/black 2=red/white 3=red 4=green	0.25mm ²	26 x ϕ 0.13	5.0	PVC
U-MS5TAV182	5		1=red/white 2=red 3=green 4=red/yellow 5=red/black	0.34mm ²	26 x ϕ 0.13	5.2	PVC
U-MS6TAV192	6		1=red/white 2=red 3=green 4=red/yellow 5=red/black 6=red/blue	0.25mm ²	26 x ϕ 0.13	6.3	PVC

Standard length: 2.0 m, 5.0 m, 7.5 m, 10.0 m. Other cable length or cable specifications on request.

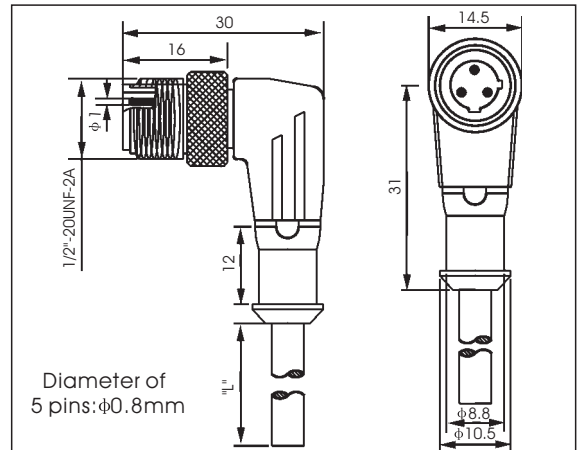
MICRO-STYLE QUICK DISCONNECT CABLES

View



- Micro-style
- Right-angle style
- screw locking with(auto) securing safety nut
- With moulded cable
- Pvc offers good resistance to oils and chemicals

Dimensional data



Technical Data

Application Class: HNA acc. to DIN 40040
(-25 °C / +90 °C / ≤ 100%rF)

Moulded Body: TPU, self-extinguishing

Nominal Power: 4A

Nominal Voltage: 300VAC

Contact: CuZn, brass, pre-nickel and 0.8 microns gold-plated

Body: TPU, self-extinguishing

Securing Safety nut: Nickel plated brass


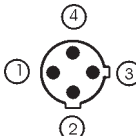
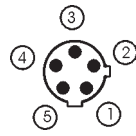
Protection: IP 68

Test Voltage: 2.0 KV eff./60s.

Insulation Resistance: > 10⁹Ω

CSA certified: 219967

Catalog Number

Part-No	Poles	Face View male	Color Code	Conductors		Outer Jacket	
				Guage	Stranding	φ mm	Material
U-MA3TAV152	3		1=green 2=red/black 3=red/white	0.25mm ²	26 x φ 0.13	5.0	PVC
U-MA4TAV162	4		1=red/black 2=red/white 3=red 4=green	0.25mm ²	26 x φ 0.13	5.0	PVC
U-MA5TAV182	5		1=red/white 2=red 3=green 4=red/yellow 5=red/black	0.34mm ²	26 x φ 0.13	5.2	PVC

Standard length: 2.0 m, 5.0 m, 7.5 m, 10.0 m. Other cable length or cable specifications on request.

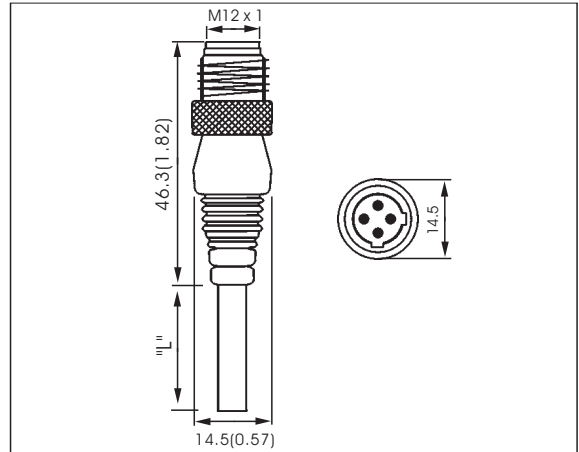
MICRO-STYLE QUICK DISCONNECT CABLES

View



- Micro-style
- Screw locking with (auto) securing Safety nut
- With moulded Cable

Dimensional data



Technical Data

Application Class: HNA acc. to DIN 40040
(-25°C / +90 °C / ≤ 100%rF)

Moulded Body: PVC, self-extinguishing

Nominal Power: 4A

Nominal Voltage: 300VAC

Contact: CuZn, brass, pre-nickeled and
0.8 microns gold-plated

Body: PVC, self-extinguishing

Securing Safety Nut: Nickel plated brass

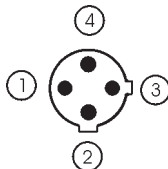
Protection: IP 68

Test Voltage: 2.0 KV eff./60s.

Insulation Resistance: > 10⁹Ω

CSA certified: 219967

Catalog Number

Part-No	Poles	Face View male	Color Code	Conductors		Outer Jacket	
				Guage	Stranding	φ mm	Material
U-MS4/3TAV722/M12	4		1=red/black 2=red/white 3=red	0.34mm ²	7 x φ0.25	6.2	PVC

Standard length: 2.0 m and 5.0 m. Other cable length or cable specifications on request.