

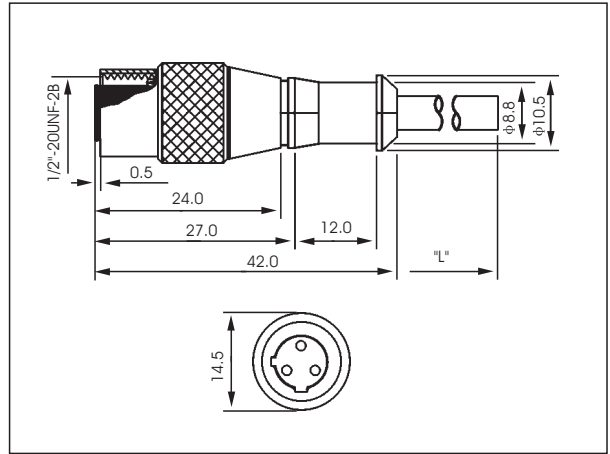
# MICRO-STYLE QUICK DISCONNECT CABLES

## View



- Female Micro-style
- Screw locking with (auto) securing safety nut
- With moulded cable
- PVC offers good resistance to oils and chemicals

## Dimensional data



## Technical Data

Application Class: HNA acc. to DIN 40040  
(-25 °C / +90 °C / ≤ 100%rF)

Moulded Body: TPU, self-extinguishing

Nominal Power: 4A

Nominal Voltage: 300VAC

Contact: CuZn, brass, pre-nickeled and 0.3 microns gold-plated  
5poles= CuZn, brass, pre-nickeled and 0.8 microns gold-plated

Body: TPU, self-extinguishing

Securing Safety nut: Nickel plated brass

Protection: IP 68

O-Ring: Viton

Contact Resistance: ≤ 5mΩ

Test Voltage: 3+4poles 2.0 KV eff./60s.  
5 poles 1.5 KV eff./60s.

Insulation Resistance: > 10<sup>9</sup>Ω

CSA certified: 219967

## Catalog Number

Part-No	Poles	Face View female	Color Code	Conductors		Outer Jacket	
				Guage	Stranding	φ mm	Material
U-FS3TAV152	3		1=green 2=red/black 3=red/white	0.25mm <sup>2</sup>	26 x φ0.13	5.0	PVC
U-FS4TAV162	4		1=red/black 2=red/white 3=red 4=green	0.25mm <sup>2</sup>	26 x φ0.13	5.0	PVC
U-FS5TAV182	5		1=red/white 2=red 3=green 4=red/yellow 5=red/black	0.34mm <sup>2</sup>	26 x φ0.13	5.2	PVC
U-FS6TAV192	6		1=red/white 2=red 3=green 4=red/yellow 5=red/black 6=red/blue	0.25mm <sup>2</sup>	26 x φ0.13	6.3	PVC

Standard length: 2.0 m, 5.0 m, 7.5 m, 10.0 m. Other cable length or cable specifications on request.

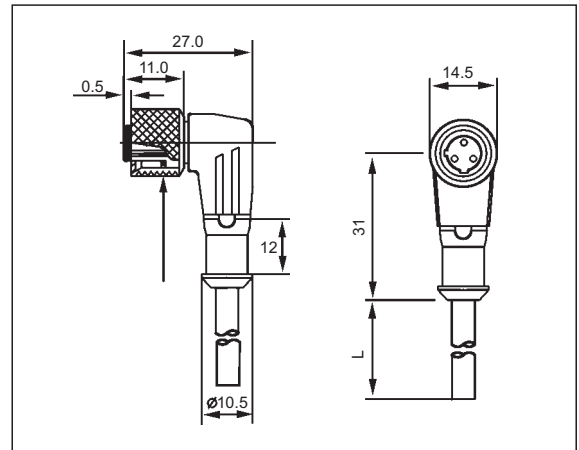
# MICRO-STYLE QUICK DISCONNECT CABLES

## View



- Female Micro-style right-angle style
- Screw locking with (auto) securing safety nut
- With moulded cable
- PVC offers good resistance to oils and chemicals

## Dimensional data



## Technical Data

Application Class: HNA acc. to DIN 40040  
(-25 °C / +90 °C / ≤ 100%rF)

Moulded Body: TPU, self-extinguishing

Nominal Power: 4A

Nominal Voltage: 300VAC

Contact: CuZn, brass, pre-nickel and 0.3 microns gold-plated  
5poles= CuZn, brass, pre-nickel and 0.8 microns gold-plated

Body: TPU, self-extinguishing

Securing Safety nut: Nickel plated brass

Protection: IP 68

O-Ring: Viton

Contact Resistance: ≤ 5 mΩ

Test Voltage: 3+4poles 2.0 KV eff./60s.  
5poles 1.5 KV eff./60s.

Insulation Resistance: > 10<sup>9</sup> Ω

CSA certified: 219967

## Catalog Number

Part-No	Poles	Face View female	Color Code	Conductors		Outer Jacket	
				Guage	Stranding	φ mm	Material
U-FA3TAV152	3		1=green 2=red/black 3=red/white	0.25mm <sup>2</sup>	26 x φ 0.13	5.0	PVC
U-FA4TAV162	4		1=red/black 2=red/white 3=red 4=green	0.25mm <sup>2</sup>	26 x φ 0.13	5.0	PVC
U-FA5TAV182	5		1=red/white 2=red 3=green 4=red/yellow 5=red/black	0.34mm <sup>2</sup>	26 x φ 0.13	5.2	PVC
U-FA6TAV192	6		1=red/white 2=red 3=green 4=red/yellow 5=red/black 6=red/blue	0.25mm <sup>2</sup>	26 x φ 0.13	6.3	PVC

Standard length: 2.0 m, 5.0 m, 7.5 m, 10.0 m. Other cable length or cable specifications on request.

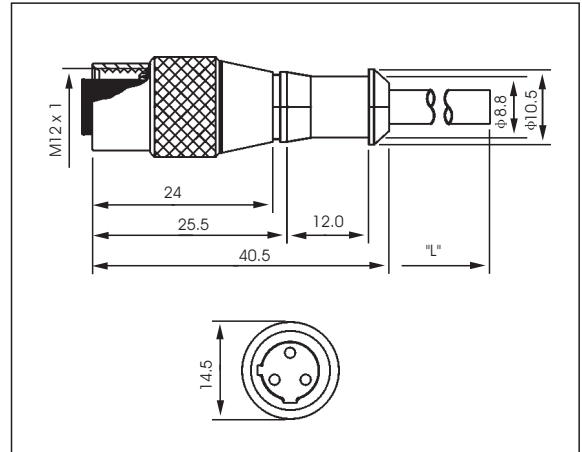
# MICRO-STYLE QUICK DISCONNECT CABLES

## View



- Female Micro-style
- Screw locking with(auto)securing safety nut
- locking nut with thread M12x1
- With moulded cable
- Pvc offers good resistance to oils and chemicals

## Dimensional data



## Technical Data

Application Class: HNA acc. to DIN 40040  
(-25 °C / +90 °C / ≤ 100%rF)

Moulded Body: TPU, self-extinguishing

Nominal Power: 4A

Nominal Voltage: 300VAC

O-ring: Viton

Contact: CuZn, brass, pre-nickelated, tin-plated and 0.3 microns gold-plated

Body: TPU, self-extinguishing

Securing Safety nut: Nickel plated brass

Protection: IP 68

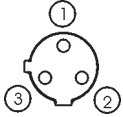
Contact Resistance: ≤ 5m Ω

Test Voltage: 2.0 KV eff./60s.

Insulation Resistance: > 10<sup>9</sup>Ω

CSA certified: 219967

## Catalog Number

Part-No	Poles	Face View female	Color Code	Conductors		Outer Jacket	
				Guage	Stranding	φ mm	Material
U-FS3TAV262/M12	3		1=green 2=red/black 3=red/white	0.34mm <sup>2</sup>	42xφ 0.10	5.0	PVC

Standard Length: 2.0 m, 5.0 m, 7.5 m, 10.0 m. Other cable length or cable specifications on request.

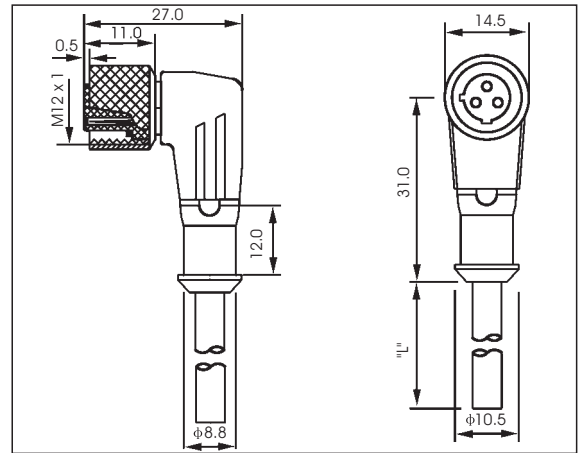
# MICRO-STYLE QUICK DISCONNECT CABLES

## View



- Female Micro-style
- Right-angle style
- Screw locking with (auto) securing safety nut
- Locking nut with thread M12X1
- with moulded cable

## Dimensional data



## Technical Data

Application Class: HNA acc. to DIN 40040  
 (-25 °C / +90 °C / ≤ 100%rF)

Moulded Body: TPU, self-extinguishing

Nominal Power: 4A

Nominal Voltage: 300VAC

O-ring: Viton

Contact: CuZn, brass, pre-nickeled, tin-plated  
 and 0.3 microns gold-plated

Body: TPU, self-extinguishing

Securing Safety nut: Nickel plated brass

Protection: IP 68

Contact Resistance: ≤ 5m Ω

Test Voltage: 2.0 KV eff./60s.

Insulation Resistance: > 10<sup>9</sup>Ω

CSA certified: 219967

## Catalog Number

Part-No	Poles	Face View female	Color Code	Conductors		Outer Jacket	
				Guage	Stranding	φ mm	Material
U-FA3TAV262/M12	3		1 = yellow/green 2 = black 3 = blue	0.34mm <sup>2</sup>	42xφ 0.10	5.0	PVC

Standard length: 2.0 m, 5.0 m, 7.5 m, 10.0 m. Other cable length or cable specifications on request.