

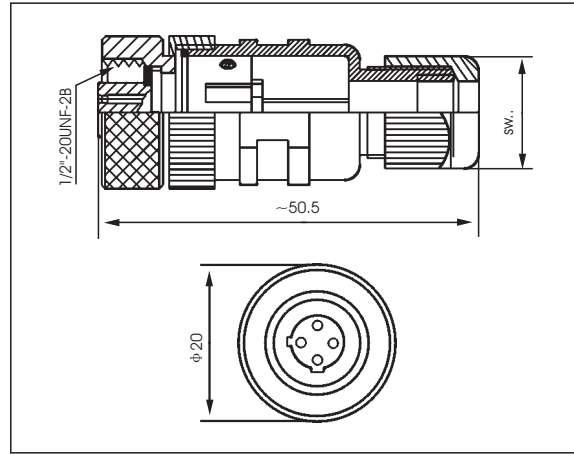
MICRO-STYLE QUICK DISCONNECT RECEPTACLES

View



- Micro-style with locknut
- Nylon molded connector shell
- Convenient screw terminations

Dimensional data



Technical Data

Application Class: HNA acc. to DIN 40040
 (-40 °C / +90 °C / ≤ 100%rF)

Moulded Body: PA, self-extinguishing

Nominal Power: 4A

Nominal Voltage: 250VAC

O-ring: NBR

Contact: CuZn, 2-4um CuSnZn (OPTALLOY)

Body: PA, self-extinguishing

Locknut: Nickel plated brass

Mode of Connection: Screw clamps

Protection: IP 67

Test Voltage: 1.25 KV eff./60s.

Insulation Resistance: > 10⁹ Ω

Catalog Number

Part-No	Poles	Face View female	Max. Wire section	Screw Joint for cable	SW..
U-FS3KA/PG7	3		max. 0.75 mm ²	PG 7 φ4.0 - 6.0 mm	15
U-FS3KA/PG9				PG 9 φ6.0 - 8.0 mm	19
U-FS4KA/PG7	4		max. 0.75 mm ²	PG 7 φ4.0 - 6.0 mm	15
U-FS4KA/PG9				PG 9 φ6.0 - 8.0 mm	19

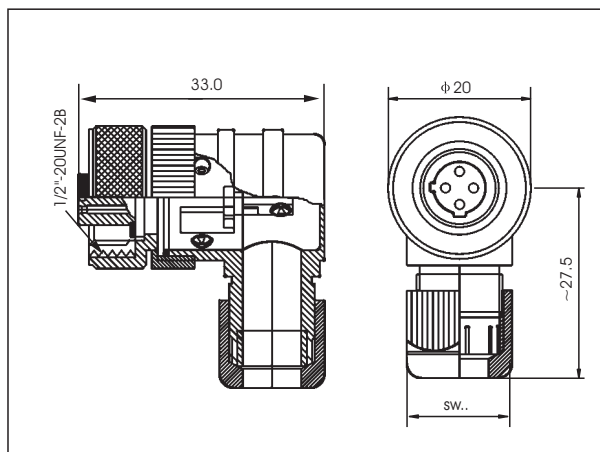
MICRO-STYLE QUICK DISCONNECT RECEPTACLES

View



- Female micro-style with locknut
- Right-angle style
- Nylon molded connector shell
- Convenient screw terminations

Dimensional data



Technical Data

Application Class: HNA acc. to DIN 40040
(-40 °C / +90 °C ≤ 100%rF)

Moulded Body: PA, self-extinguishing

Nominal Power: 4A

Nominal Voltage: 250VAC

O-ring: NBR

Contact: CuZn, 2-4µm CuSnZn (OPTALLOY)

Body: PA, self-extinguishing

Locknut: Nickel plated brass

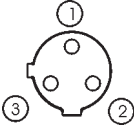
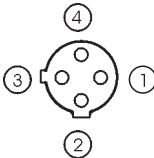
Mode of Connection: Screw clamps

Protection: IP 67

Test Voltage: 1.25 KV eff./60s.

Insulation Resistance: > 10⁹Ω

Catalog Number

Part-No	Poles	Face View female	Max. Wire section	Screw Joint for cable	SW..
U-FA3KA/PG7	3		Max 0.75 mm ²	PG7 φ 4.0-6.0mm	15
U-FA3KA/PG9				PG9 φ 6.0-8.0mm	19
U-FA4KA/PG7	4		Max 0.75 mm ²	PG7 φ 4.0-6.0mm	15
U-FA4KA/PG9				PG9 φ 6.0-8.0mm	19

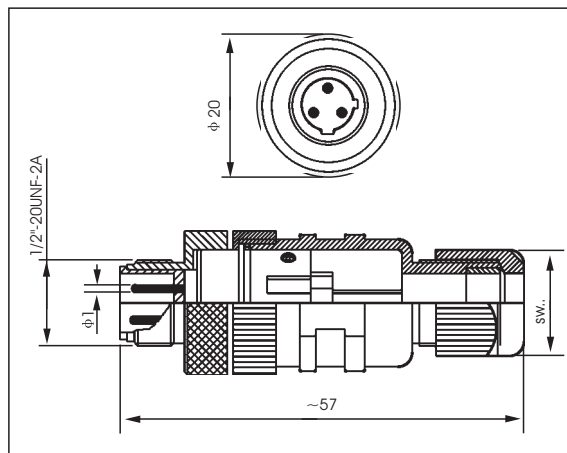
MICRO-STYLE QUICK DISCONNECT RECEPTACLES

View



- Micro-style
- Nylon molded connector shell
- Convenient screw terminations

Dimensional data



Technical Data

Application class: HNA acc. to DIN 40040
 (-25 °C / +90 °C / ≤ 100%rF)

Moulded Body: TPU, self-extinguishing

Nominal Power: 4A

Nominal Voltage: 250VAC

O-ring: NBR

Contact: CuZn, 2-4um CuSnZn

Body: TPU, self-extinguishing

Locknut: Nickel plated brass

Mode of Connection: Screw clamps

Protection: IP 67

Test Voltage: 1.25 KV eff./60s.

Insulation Resistance: > 10⁹Ω

Catalog Number

Part-No	Poles	Face View male	Max. Wire section	Screw Joint for cable	SW..
U-MS3KA/PG7	3	contact 1 leading 	max. 0.75 mm ²	PG7 φ4.0 - 6.0mm	15
U-MS3KA/PG9				PG9 φ6.0 - 8.0mm	19
U-MS4KA/PG7	4		max. 0.75 mm ²	PG7 φ4.0 - 6.0mm	15
U-MS4KA/PG9				PG9 φ6.0 - 8.0mm	19

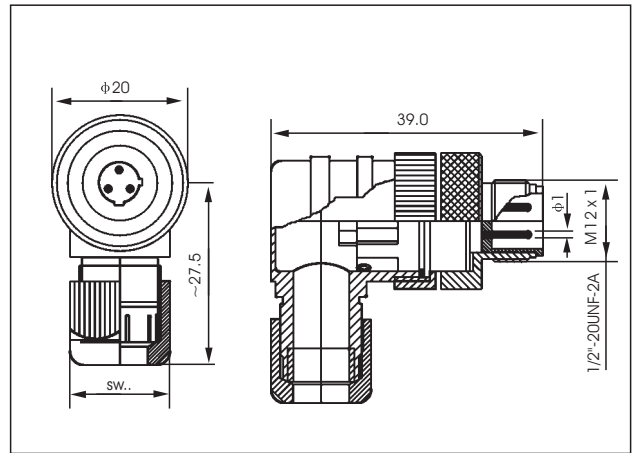
MICRO-STYLE QUICK DISCONNECT RECEPTACLES

View



- Micro-style with locknut, right-angle style.
- Convenient screw terminations
- Nylon molded connector shell

Dimensional data



Technical Data

Application Class: HNA acc. to DIN 40040
(-25 °C / +90 °C / ≤ 100%rF)

Moulded Body: PA, self-extinguishing

Nominal Power: 4A

Nominal Voltage: 250VAC

O-ring: NBR

Contact: CuZn, 2-4um CuSnZn

Body: PA, self-extinguishing

Locknut: Nickel plated brass

Mode of Connection: Screw clamps

Protection: IP 67

Test Voltage: 1.25 KV eff./60s.

Insulation Resistance: > 10⁹Ω

Catalog Number

Part-No	Poles	Face View male	Max. Wire section	Screw Joint for cable	SW..
U-MA3KA/PG7	3	contact 1 leading 	Max. 0.75 mm ²	PG7 φ4.0 - 6.0 mm	15
U-MA3KA/PG9				PG9 φ6.0 - 8.0 mm	19
U-MA4KA/PG7	4		Max. 0.75 mm ²	PG7 φ4.0 - 6.0 mm	15
U-MA4KA/PG9				PG9 φ6.0 - 8.0 mm	19

Standard length: 2.0 m, 5.0 m, 7.5 m, 10.0 m. Other cable length or cable specifications on request .

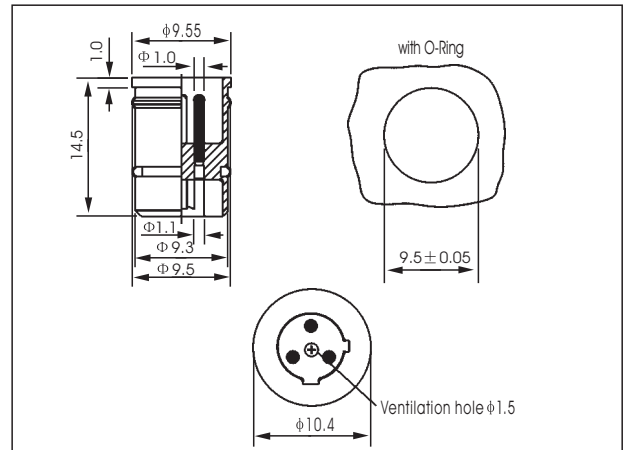
MICRO-STYLE QUICK DISCONNECT RECEPTACLES

View



- Micro-style insert for proximity switch M12, -Type UL (with ventilation hole) -
- Max.wire section:
Single conductor 0.75 mm² (AWG 18),stranded wire 0.50 mm² (AWG 20)

Dimensional data



Technical Data

Application class: HNA acc. to DIN 40040
(-25 °C / +90 °C / ≤ 100%rF)

Moulded body: PA, self-extinguishing

Nominal power: 4A

Nominal voltage: 300VAC

Contact: CuZn,brass ,pre-nickel and 0.8 microns gold-plated

O-Ring: Viton

Protection: IP 68

Test voltage: 3+4poles 2.0 KV eff./60s.
5poles 2.0 KV eff./60s.

Insulation resistance: >10⁹Ω

CSA certified: 219967

Catalog Number

Part-No	Poles	Face View male	Shaft-φ mm	Ventilation Hole φ mm
U-MS3	3	contact 1 leading 	9.55 mm/9.4mm	—
U-MS3/UL	3	contact 1 leading 	9.55 mm/9.4mm	1.5mm
U-MS4	4	contact 4 leading 	9.55 mm/9.4mm	—
U-MS5	5	contact 3 leading 	9.55 mm/9.4mm	—

Standard length: 2.0 m, 5.0 m, 7.5 m, 10.0 m. Other cable length or cable specifications on request.