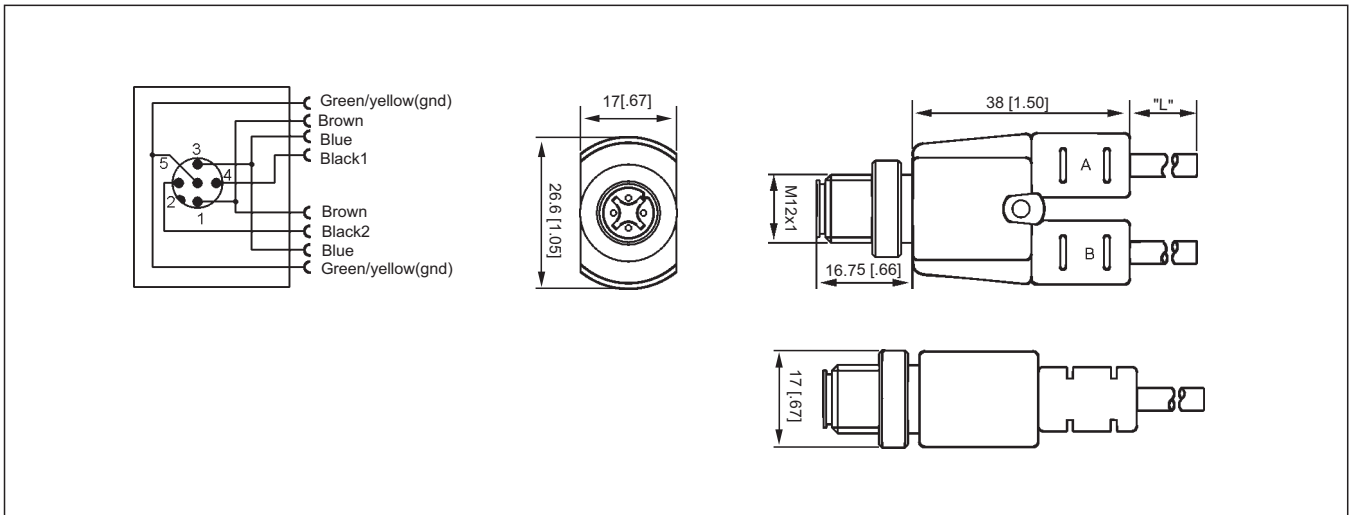


MICRO SPLITTERS



Description

Micro Splitters with Cable for Use with Distribution Boxes

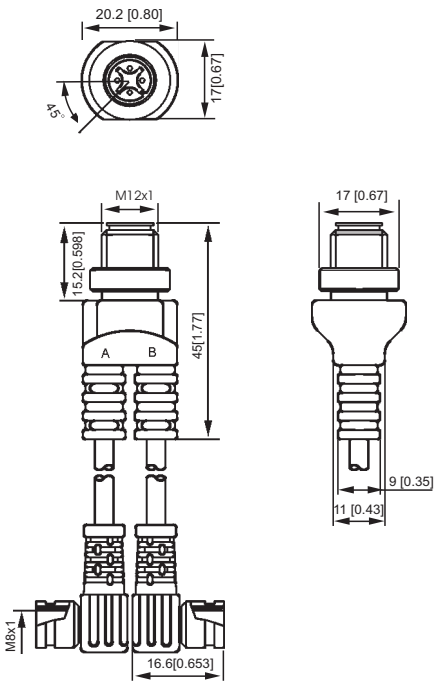
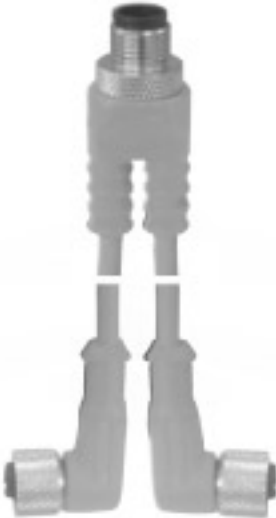
Technical Data

| | | | |
|----------------------|--|----------------------------------|--------------------|
| 1.Application Class: | -25°C to +90°C | Working Voltage: | 250VAC |
| 2.Materials: | | Dielectric Withstanding Voltage: | 2 kVAC RMS/60sec |
| Molded Body: | PUR(Polyurethane),yellow | Insulation Resistance: | >10 ⁹ Ω |
| Contact: | CuZn, pre-nickeled and 0.8 microns gold-plated | 4.Mechanical Data: | |
| Locking Nut: | Brass, nickel plated | Insertion Force (contact): | ≤ 2.0N .45LBS |
| 3.Electrical Data: | | Withdrawal Force (contact): | ≥ 0.5N .11LBS |
| Contact Resistance: | ≤ 5m Ω | Protection: | IP68 |
| Current Rating: | 3Amps | Shock: | IEC 68-2-27 |

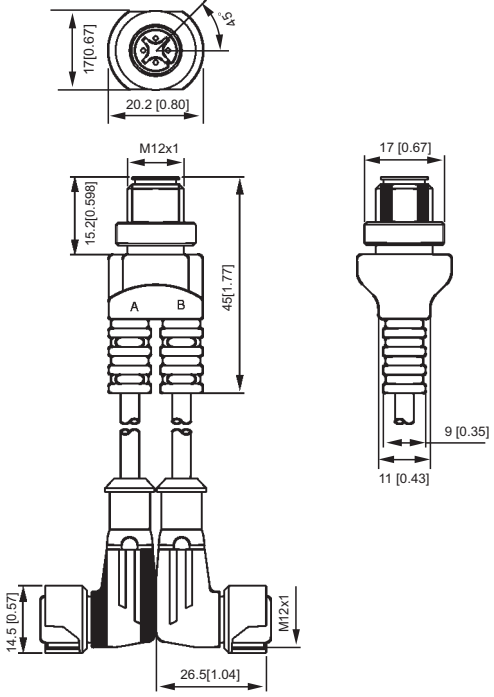
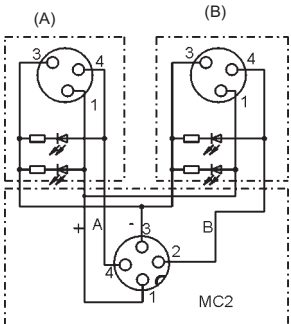
| Part Number | Face View of male Plug | Color Code | Cable Type | | |
|---------------|------------------------|--|------------------------|--------------|---------|
| | | | Lead(mm ²) | Outer Jacket | |
| U1-R4/3Z-35XX | | 1= Brown (S4) 2= Black (2) (S2) 3= Blue 4= Black (1) | 3x0.34(42xΦ0.10) | Φ5.0 | PUR/PVC |
| U2-R5/4Z-17XX | | 1= Brown (S4) 2= Black (2) (S2) 3= Blue 4= Black (1) 5= Yellow/green | 4x0.50(16xΦ0.20) | Φ5.0 | PUR/PVC |

xx-Standard cables available in 5-meter(05),and 10-meter.Other cable length or cable specifications on request.

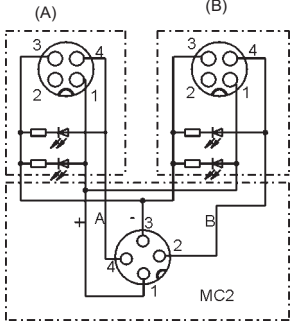
MICRO SPLITTERS



U2-R4C-FA3TPV062



U2-R4R-FS4KPV062



MICRO SPLITTERS


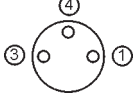


Description

Micro Splitters with two Pico or Micro Plugs, with or without LED's
Used with Distribution Boxes

Technical Data

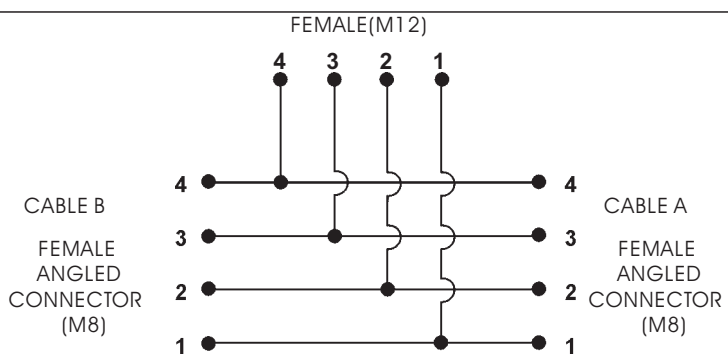
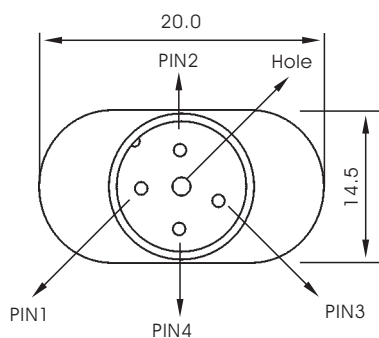
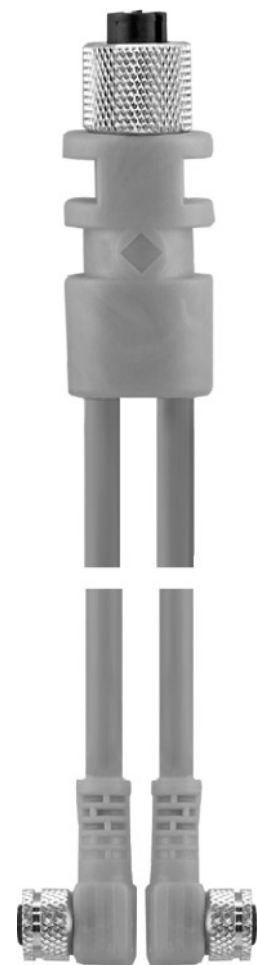
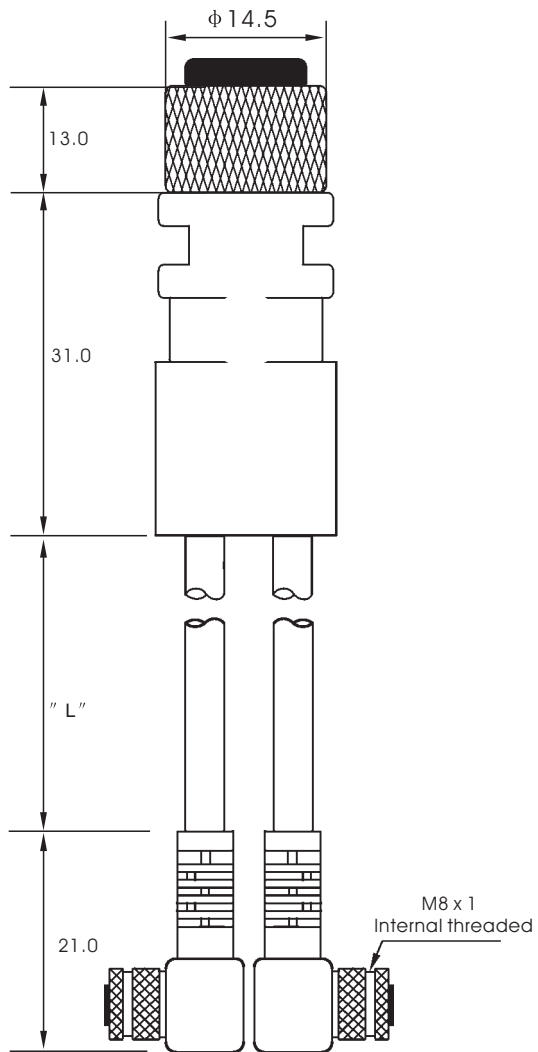
| | | | |
|----------------------|---------------------------------|----------------------------------|--------------------|
| 1.Application Class: | -25 °C to +90 °C | Dielectric Withstanding Voltage: | 2 kVAC RMS/60sec |
| 2.Materials: | | Insulation Resistance: | >10 ⁹ Ω |
| Molded Body: | PUR(Polyurethane),Orange | 4.Mechanical Data: | |
| Contact: | Brass, gold over nickel plating | Insertion Force | |
| Insert: | PUR(Polyurethane),black | (contact): | ≤ 2.0N(.45LBS) |
| Coupling Nut: | Brass,nickel plated | Withdrawal Force | |
| O-Ring: | Viton | (contact): | ≥ 0.5N(.11LBS) |
| 3.Electrical Data: | | Protection: | IP68 |
| Contact Resistance: | ≤ 5m Ω | Shock: | IEC 68-2-27 |
| Current Rating | 3Amps | Vibration: | IEC 68-2-6 |
| Working Voltage: | 10-30VDC | | |

Order Information

| Part Number | Face View of Male Plug | Face View of Female Plug | Description |
|------------------|---|---|--|
| U2-R4C-FA3TPY042 | | | Splitter with two Pico Plugs Right Angle with LED's (PNP) |
| U2-R4C-FA3TZY042 |  |  | Splitter with two Pico Plugs Right Angle |
| U2-R4C-FS3TZY062 | | | Splitter with two Pico Plugs Straight |
| U2-R4R-FS4KPV062 | | | Splitter with two Euro Plugs Straight with LED's (PNP) |
| U2-R4R-FS4KZV062 | | | Splitter with two Euro Plugs Straight |
| U2-R4R-FA4KPV062 |  |  | Splitter with two Euro Plugs Right Angle with LED's (PNP) |
| U2-R4R-FA4KZV062 | | | Splitter with two Euro Plugs Right Angle |

MICRO SPLITTERS

View



MICRO SPLITTERS

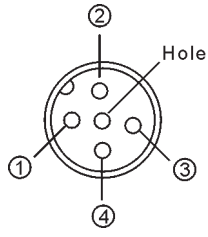
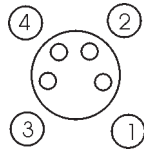
Descriptions

Micro Splitters with two Pico without LED's
Used with Distribution Boxes

Technical Data

| | | | |
|----------------------|---------------------------------|----------------------------------|--------------------|
| 1.Application Class: | -25 °C to +90 °C | Dielectric Withstanding Voltage: | 2 KVAC RMS/60sec |
| 2.Materials: | | Insulation Resistance: | >10 ⁹ Ω |
| Molded Body: | PUR Or PVC, Orange | 4.Mechanical Data: | |
| Contact: | Brass, gold over nickel plating | Insertion Force (contact): | ≤ 2.0N(.45LBS) |
| Insert: | PUR(Polyurethane),black | Withdrawal Force (contact): | ≥ 0.5N(.11LBS) |
| Coupling Nut: | Brass,nickel plated | Protection: | IP68 |
| O-Ring: | Viton | Shock: | IEC 68-2-27 |
| 3.Electrical Data: | | Vibration: | IEC 68-2-6 |
| Contact Resistance: | ≤ 5m Ω | | |
| Current Rating | 3Amps | | |
| Working Voltage: | 10-30VDC | | |

Order Information

| Part Number | Face View of M12 Female Plug | Face View of M8 Female Plug | Descriptions |
|---------------------|---|---|--|
| U2-RF4C-FA4TZV060.5 |  |  | Splitter with two Pico Plugs Right Angle |

Standard length: 0.5m, 0.70 m, 1.0 m, 2.0 m. Other cable length or cable specifications on request.