

PART M-01 ~ M-23

Diameter

● Shielded ○ non-Shielded

Switching Distance Sn mm

Housing Material

● With LED ○ Without LED

Dimensions (unit: mm)

Operating Voltage

Ripple

No Load Current

Max. Load Current

Leakge Current

Surge Current

Min. Load Current

Voltage Drop

Switching Frequency

Response Time

Switching Hysteresis

Repeat Accuracy

Protection Category

Operating Temperature

Temperature Drift

Short Circuit Protection

Overload Trip Point

Time Delay Before Availability

EMC

Shock / Vibration

Material Active Face

DC 3 wire 10-30V NPN N.O.

DC 3 wire 10-30V NPN N.C.

DC 3 wire 10-30V PNP N.O.

DC 3 wire 10-30V PNP N.C.

DC 4 wire 10-30V Changeover PNP (N.O. & N.C.)

DC 4 wire 10-30V Changeover NPN (N.O. & N.C.)

DC 2 wire 10-60V N.O.

DC 2 wire 10-60V N.C.

DC 3 wire 5-36v NPN N.O.

DC 3 wire 5-36v NPN N.C.

DC 3 wire 5-36v PNP N.O.

DC 3 wire 5-36v PNP N.C.

AC 2 wire 20-250V N.O.

AC 2 wire 20-250V N.C.

AC 2 wire 20-250V N.O. or N.C. Changeable

AC/DC 2 wire 20-250V N.O.

AC/DC 2 wire 20-250V N.C.

AC/DC 2 wire 20-250V N.O. or N.C. Changeable

Remark

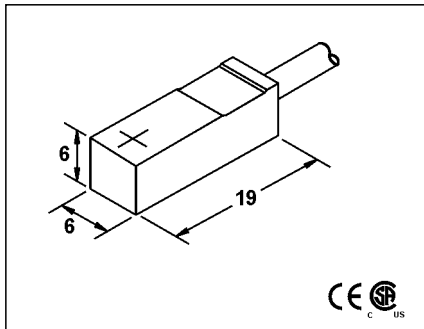
Cable 2M (PVC)

Weight

Please put each catalog page in the blank. The specification on the left will help your reading.

MPS SERIES MICRO-PROXIMITY SENSOR DC 3-WIRE NPN/PNP TYPE

MPS-6
○
1.2mm
Polycarbonate
●



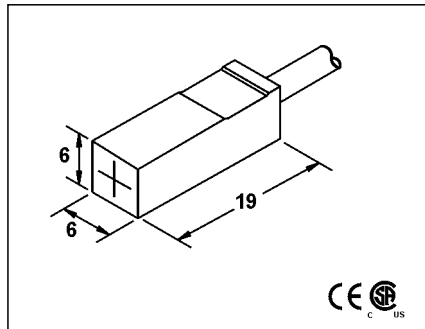
10-30VDC
<10%
<10mA
100mA
<0.01mA
-
-
<1.5V
400HZ
0.5ms/0.5ms
<15%(Sr)
<0.04mm
IP67
-25 ° C - +70 ° C
<10%(Sr)
YES
220mA
<10ms
RFI>3V/m / EFT>1KV / ESD>4KV (contact)
IEC 60947-5-2,Part 7.4.1 / IEC 60947-5-2,Part 7.4.2
Polycarbonate

MQP2-661.2N-A3U2F	C
MQP2-661.2N-B3U2F	C
MQP2-661.2P-A3U2F	D
MQP2-661.2P-B3U2F	D

MPS Series Wiring diagram number see page L-10 The following page is same.

2.7 φ 3x0.15
approx.10 g

MPS-6
○
1.2mm
Polycarbonate
●

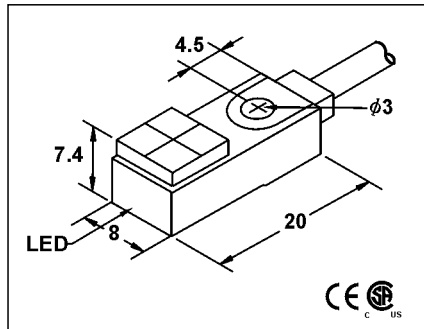


10-30VDC
<10%
<10mA
100mA
<0.01mA
-
-
<1.5V
400HZ
0.5ms/0.5ms
<15%(Sr)
<0.04mm
IP67
-25 ° C - +70 ° C
<10%(Sr)
YES
220mA
<10ms
RFI>3V/m / EFT>1KV / ESD>4KV (contact)
IEC 60947-5-2,Part 7.4.1 / IEC 60947-5-2,Part 7.4.2
Polycarbonate

MQP2-661.2N-A3U2T	C
MQP2-661.2N-B3U2T	C
MQP2-661.2P-A3U2T	D
MQP2-661.2P-B3U2T	D

2.7 φ 3x0.15
approx.10 g

MPS-8
○
1.5mm
Polycarbonate
●



10-30VDC
<10%
<10mA
100mA
<0.01mA
-
-
<1.5V
500HZ
0.5ms/0.5ms
<15%(Sr)
<0.04mm
IP67
-25 ° C - +70 ° C
<10%(Sr)
YES
220mA
<10ms
RFI>3V/m / EFT>1KV / ESD>4KV (contact)
IEC 60947-5-2,Part 7.4.1 / IEC 60947-5-2,Part 7.4.2
Polycarbonate

MQP2-881.5N-A3U2F	C
MQP2-881.5N-B3U2F	C
MQP2-881.5P-A3U2F	D
MQP2-881.5P-B3U2F	D

2.7 φ 3x0.15
approx.12 g

