

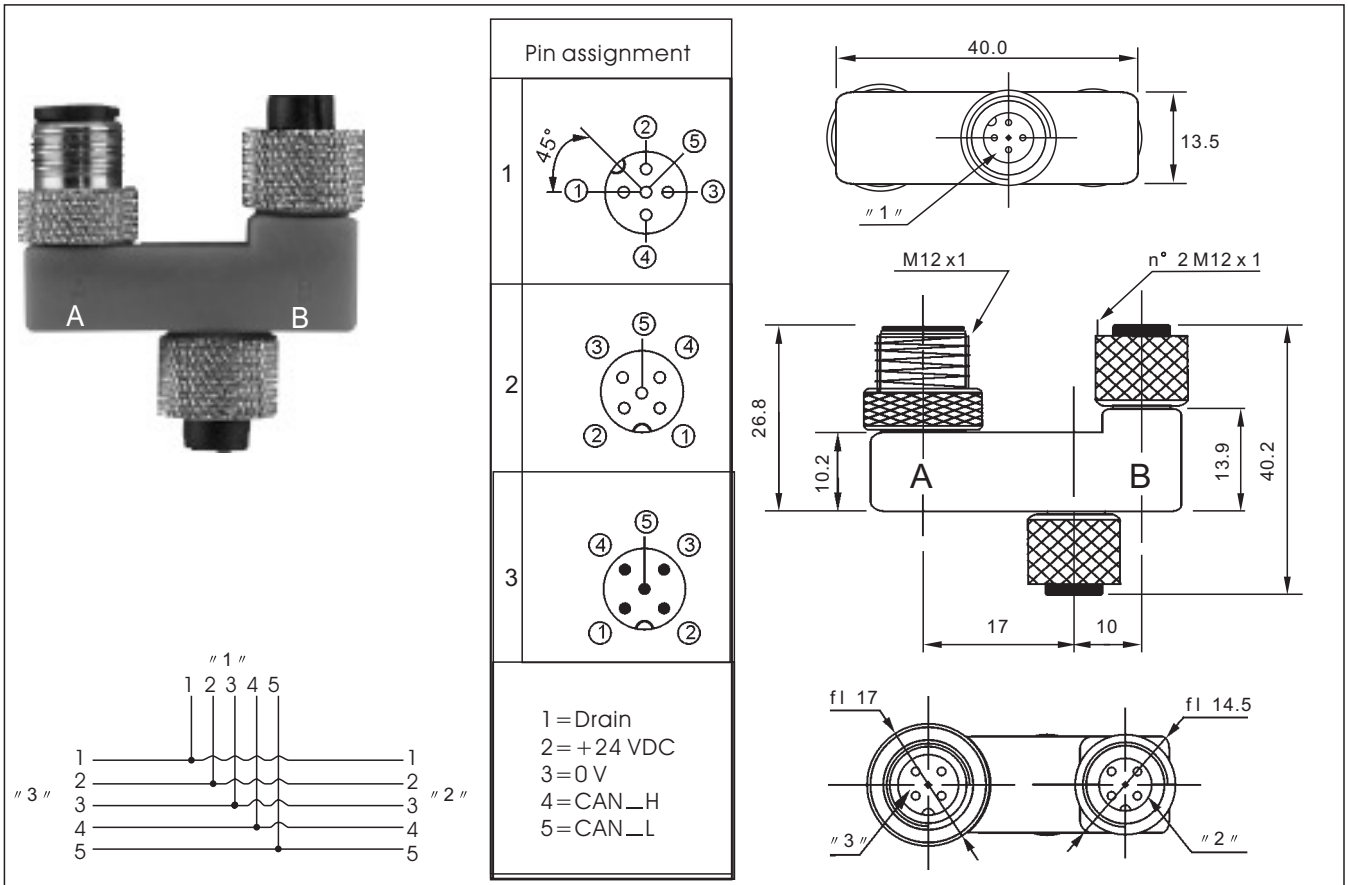
HARD-SHELL CONNECTORS

Description
Micro Splitters with Connectors for Use with Distribution Boxes

Technical Data			
1.Application Class:	-15 °C to +90 °C	Working Voltage:	10-30VDC
2.Materials:		Dielectric Withstanding Voltage:	2 kVAC RMS/60sec
Molded Body:	TPU,Orange	Insulation Resistance:	>10 ⁹ Ω
Contact:	Brass,gold over nickel plating	4.Mechanical Data:	
Insert:	TPU,black	Insertion Force (contact):	≤ 2.0N(.45LBS)
Coupling Nut:	Brass,nickel plated	Withdrawal Force (contact):	≥ 0.5N(.11LBS)
O-Ring:	Viton	Protection:	IP68
3.Electrical Data:		Shock:	IEC 68-2-27
Contact Resistance:	≤ 5mΩ	Vibration:	IEC 68-2-6
Current Rating:	3Amps		

Part Number	Face View of Male Plug	Face View of Female Plug	Description
U2-R5/3Z-C3			MS2 splitter with Pico connectors
U2-R5/4Z-R4			MS2 splitter with Euro connectors
U2-R5/5Z-R5			MS2 splitter with Euro connectors

HARD-SHELL CONNECTORS



Technical Data

1. Application Class:	-15°C to +90 °C	Working Voltage:	10-30VDC
2. Materials:		Dielectric Withstanding Voltage:	2 KVAC RMS/60sec
Molded Body:	TPU, Orange	Insulation Resistance:	>10 ⁹ Ω
Contact:	Brass, gold over nickel plating	4. Mechanical Data:	
Insert:	TPU, black	Insertion Force (contact):	≤ 2.0N (.45LBS)
Coupling Nut:	Brass, nickel plated	Withdrawal Force (contact):	≥ 0.5N (.11LBS)
O-Ring:	Viton	Protection:	IP68
3. Electrical Data:		Shock:	IEC 68-2-27
Contact Resistance:	≤ 5mΩ	Vibration:	IEC 68-2-6
Current Rating:	3Amps		

Catalog Number

Part Number	Face View of Male Plug	Face View of Female Plug	Description
U2-RF5/5Z-R5+RF5			MS2 splitter with Euro connectors