

PART F-01 ~ F-19

Diameter
● Shielded ○ non-Shielded
Switching Distance Sn mm
Housing Material
● With LED ○ Without LED

Dimensions (unit: mm)

Operating Voltage	10-30VDC
Ripple	<10%
No Load Current	<10mA
Max. Load Current	200mA
Leakage Current	<0.01mA
Surge Current	-
Min. Load Current	-
Voltage Drop	<1.5V
Switching Frequency	2KHZ 1KHZ
Response Time	0.1ms/0.1ms 0.2ms/0.2ms
Switching Hysteresis	<15%
Repeat Accuracy	<1.0%(Sr)
Protection Category	IP67
Operating Temperature	-25 °C - +70 °C
Temperature Drift	<10%(Sr)
Short Circuit Protection	YES
Overload Trip Point	220mA
Time Delay Before Availability	<10ms
EMC	RFI>3V/m / EFT>1KV / ESD>4KV (contact)
Shock / Vibration	IEC 60947-5-2,Part 7.4.1 / IEC 60947-5-2,Part 7.4.2
Material Active Face	POM

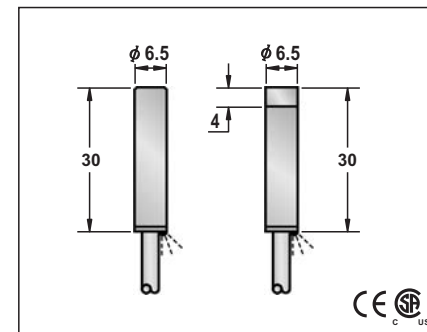
DC 3 wire 10-30V NPN N.O.	
DC 3 wire 10-30V NPN N.C.	
DC 3 wire 10-30V PNP N.O.	
DC 3 wire 10-30V PNP N.C.	
DC 4 wire 10-30V Changeover PNP (N.O. & N.C.)	
DC 4 wire 10-30V Changeover NPN (N.O. & N.C.)	
DC 2 wire 10-60V N.O.	
DC 2 wire 10-60V N.C.	
DC 3 wire 10-55v NPN N.O. or NAMUR	
DC 3 wire 10-55v NPN N.C.	
DC 3 wire 10-55v PNP N.O.	
DC 3 wire 10-55v PNP N.C.	
AC 2 wire 20-250V N.O.	
AC 2 wire 20-250V N.C.	
AC 2 wire 20-250V N.O. or N.C. Changeable	
AC/DC 2 wire 20-250V N.O.	
AC/DC 2 wire 20-250V N.C.	
AC/DC 2 wire 20-250V N.O. or N.C. Changeable	

Remark

Cable 2M (PVC)	3 φ3x0.15
Weight	Approx.40 g

DC SHORT BODY WITH EXTENDED SENSING DISTANCE PROXIMITY SWITCH

φ6.5	
●	○
2 mm	4 mm
stainless steel	
●	



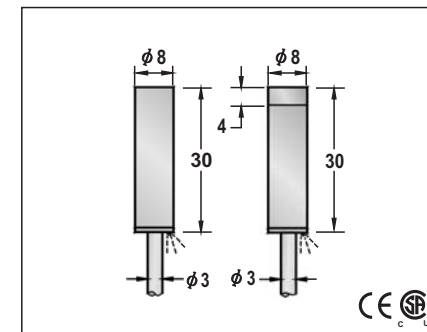
Operating Voltage	10-30VDC
Ripple	<10%
No Load Current	<10mA
Max. Load Current	200mA
Leakage Current	<0.01mA
Surge Current	-
Min. Load Current	-
Voltage Drop	<1.5V
Switching Frequency	2KHZ 1KHZ
Response Time	0.1ms/0.1ms 0.2ms/0.2ms
Switching Hysteresis	<15%
Repeat Accuracy	<1.0%(Sr)
Protection Category	IP67
Operating Temperature	-25 °C - +70 °C
Temperature Drift	<10%(Sr)
Short Circuit Protection	YES
Overload Trip Point	220mA
Time Delay Before Availability	<10ms
EMC	RFI>3V/m / EFT>1KV / ESD>4KV (contact)
Shock / Vibration	IEC 60947-5-2,Part 7.4.1 / IEC 60947-5-2,Part 7.4.2
Material Active Face	POM

ECU1-D0602N-A3S2	1	ECU2-D0604N-A3S2
ECU1-D0602N-B3S2	2	ECU2-D0604N-B3S2
ECU1-D0602P-A3S2	3	ECU2-D0604P-A3S2
ECU1-D0602P-B3S2	4	ECU2-D0604P-B3S2

Remark

Cable 2M (PVC)	3 φ3x0.15
Weight	Approx.40 g

φ8	
●	○
2 mm	4 mm
stainless steel	
●	



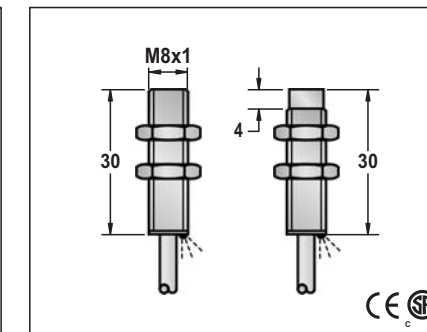
Operating Voltage	10-30VDC
Ripple	<10%
No Load Current	<10mA
Max. Load Current	200mA
Leakage Current	<0.01mA
Surge Current	-
Min. Load Current	-
Voltage Drop	<1.5V
Switching Frequency	2KHZ 1KHZ
Response Time	0.1ms/0.1ms 0.2ms/0.2ms
Switching Hysteresis	<15%
Repeat Accuracy	<1.0%(Sr)
Protection Category	IP67
Operating Temperature	-25 °C - +70 °C
Temperature Drift	<10%(Sr)
Short Circuit Protection	YES
Overload Trip Point	220mA
Time Delay Before Availability	<10ms
EMC	RFI>3V/m / EFT>1KV / ESD>4KV (contact)
Shock / Vibration	IEC 60947-5-2,Part 7.4.1 / IEC 60947-5-2,Part 7.4.2
Material Active Face	POM

ECU1-D0802N-A3S2	1	ECU2-D0804N-A3S2
ECU1-D0802N-B3S2	2	ECU2-D0804N-B3S2
ECU1-D0802P-A3S2	3	ECU2-D0804P-A3S2
ECU1-D0802P-B3S2	4	ECU2-D0804P-B3S2

Remark

Cable 2M (PVC)	3 φ3x0.15
Weight	Approx.45 g

M8	
●	○
2 mm	4 mm
stainless steel	
●	



Operating Voltage	10-30VDC
Ripple	<10%
No Load Current	<10mA
Max. Load Current	200mA
Leakage Current	<0.01mA
Surge Current	-
Min. Load Current	-
Voltage Drop	<1.5V
Switching Frequency	2KHZ 1KHZ
Response Time	0.1ms/0.1ms 0.2ms/0.2ms
Switching Hysteresis	<15%
Repeat Accuracy	<1.0%(Sr)
Protection Category	IP67
Operating Temperature	-25 °C - +70 °C
Temperature Drift	<10%(Sr)
Short Circuit Protection	YES
Overload Trip Point	220mA
Time Delay Before Availability	<10ms
EMC	RFI>3V/m / EFT>1KV / ESD>4KV (contact)
Shock / Vibration	IEC 60947-5-2,Part 7.4.1 / IEC 60947-5-2,Part 7.4.2
Material Active Face	POM

ECU1-0802N-A3S2	1	ECU2-0804N-A3S2
ECU1-0802N-B3S2	2	ECU2-0804N-B3S2
ECU1-0802P-A3S2	3	ECU2-0804P-A3S2
ECU1-0802P-B3S2	4	ECU2-0804P-B3S2

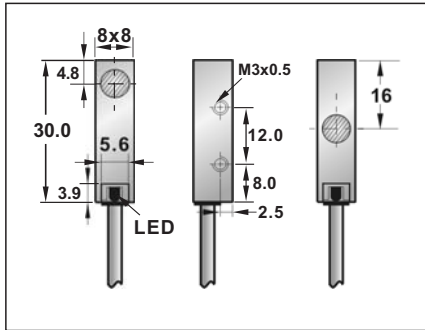
Remark

Cable 2M (PVC)	3 φ3x0.15
Weight	Approx.47 g

Q8、 $\phi 11$ 、M12

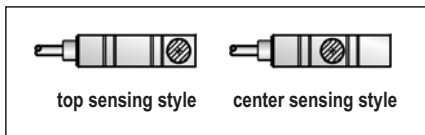
DC SHORT BODY WITH EXTENDED SENSING DISTANCE PROXIMITY SWITCH

Q8
●
2 mm
die-cast
●



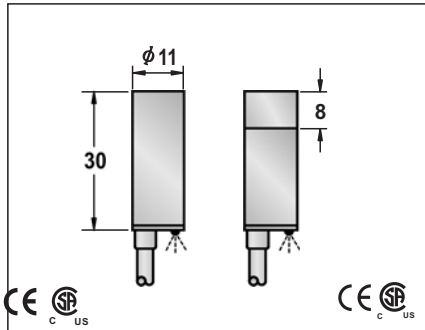
10-30VDC
<10%
<10mA
200mA
<0.01mA
-
<1.5V
2KHZ
0.1ms/0.1ms
<15%(Sr)
<1.0%(Sr)
IP67
-25°C - +70°C
<10%(Sr)
YES
220mA
<10ms
RFI>3V/m / EFT>1KV / ESD>4KV (contact)
IEC 60947-5-2,Part 7.4.1 / IEC 60947-5-2,Part 7.4.2
POM

EQM1-8802N-A3S2T	1	EQM1-8802N-A3S2M
EQM1-8802N-B3S2T	2	EQM1-8802N-B3S2M
EQM1-8802P-A3S2T	3	EQM1-8802P-A3S2M
EQM1-8802P-B3S2T	4	EQM1-8802P-B3S2M



3.0 ϕ 3x0.15
Approx.38 g

$\phi 11$
● ○
4 mm 8 mm
nickel plated brass
●



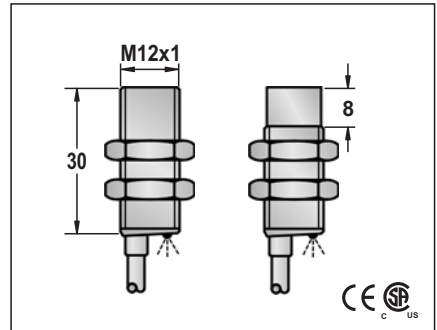
10-30VDC
<10%
<10mA
200mA
<0.01mA
-
<1.5V
1KHZ
0.2ms/0.2ms
500HZ
0.5ms/0.5ms
<15%
<1.0%(Sr)
IP67
-25°C - +70°C
<10%(Sr)
YES
220mA
<10ms
RFI>3V/m / EFT>1KV / ESD>4KV (contact)
IEC 60947-5-2,Part 7.4.1 / IEC 60947-5-2,Part 7.4.2
POM

ECM1-D1104N-A3S2	1	ECM2-D1108N-A3S2
ECM1-D1104N-B3S2	2	ECM2-D1108N-B3S2
ECM1-D1104P-A3S2	3	ECM2-D1108P-A3S2
ECM1-D1104P-B3S2	4	ECM2-D1108P-B3S2
ECM1-D1104P-S4S2	6	ECM2-D1108P-S4S2
ECM1-D1104N-S4S2	5	ECM2-D1108N-S4S2
ECM1-D1104C-A2S2	7	ECM2-D1108C-A2S2
ECM1-D1104C-B2S2	8	ECM2-D1108C-B2S2

Please see Page 18 for details and specifications of DC 2-Wire models on this page.

4 ϕ 3x0.34
Approx.58 g

M12
● ○
4 mm 8 mm
nickel plated brass
●



10-30VDC
<10%
<10mA
200mA
<0.01mA
-
<1.5V
1KHZ
0.2ms/0.2ms
500HZ
0.5ms/0.5ms
<15%
<1.0%(Sr)
IP67
-25°C - +70°C
<10%(Sr)
YES
220mA
<10ms
RFI>3V/m / EFT>1KV / ESD>4KV (contact)
IEC 60947-5-2,Part 7.4.1 / IEC 60947-5-2,Part 7.4.2
POM

ECM1-1204N-A3S2	1	ECM2-1208N-A3S2
ECM1-1204N-B3S2	2	ECM2-1208N-B3S2
ECM1-1204P-A3S2	3	ECM2-1208P-A3S2
ECM1-1204P-B3S2	4	ECM2-1208P-B3S2
ECM1-1204P-S4S2	6	ECM2-1208P-S4S2
ECM1-1204N-S4S2	5	ECM2-1208N-S4S2
ECM1-1204C-A2S2	7	ECM2-1208C-A2S2
ECM1-1204C-B2S2	8	ECM2-1208C-B2S2

4 ϕ 3x0.34
Approx.62 g

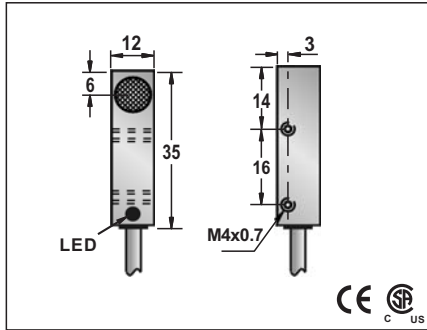
DC SHORT BODY WITH EXTENDED SENSING DISTANCE PROXIMITY SWITCH

Q12、M18、M30

DC SHORT BODY WITH EXTENDED SENSING DISTANCE PROXIMITY SWITCH

DC SHORT BODY WITH EXTENDED SENSING DISTANCE PROXIMITY SWITCH

Q12
●
4 mm
die-cast
●

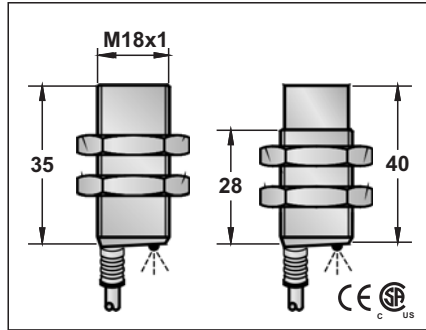


10-30VDC
<10%
<10mA
200mA
<0.01mA
-
-
<1.5V
1KHZ
0.2ms/0.2ms
<15%(Sr)
<1.0%(Sr)
IP67
-25°C - +70°C
<10%(Sr)
YES
220mA
<10ms
RFI>3V/m / EFT>1KV / ESD>4KV (contact)
IEC 60947-5-2,Part 7.4.1 / IEC 60947-5-2,Part 7.4.2
POM

<u>EQM1-1204N-A3S2T</u>	1
<u>EQM1-1204N-B3S2T</u>	2
<u>EQM1-1204P-A3S2T</u>	3
<u>EQM1-1204P-B3S2T</u>	4
<u>EQM1-1204P-S4S2T</u>	6
<u>EQM1-1204N-S4S2T</u>	5

4 φ3X0.34
Approx.75 g

M18
● ○
8 mm 16 mm
nickel plated brass
●



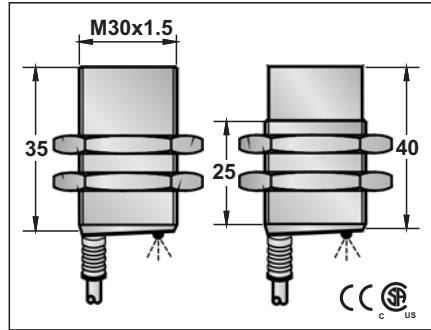
10-30VDC
<10%
<10mA
200mA
<0.01mA
-
-
<1.5V
500HZ
0.5ms/0.5ms
500HZ
0.5ms/0.5ms
<15%
<1.0%(Sr)
IP67
-25°C - +70°C
<10%(Sr)
YES
220mA
<10ms
RFI>3V/m / EFT>1KV / ESD>4KV (contact)
IEC 60947-5-2,Part 7.4.1 / IEC 60947-5-2,Part 7.4.2
PBT

ECM1-1808N-A3S2	1	ECM2-1816N-A3S2
ECM1-1808N-B3S2	2	ECM2-1816N-B3S2
ECM1-1808P-A3S2	3	ECM2-1816P-A3S2
ECM1-1808P-B3S2	4	ECM2-1816P-B3S2
ECM1-1808P-S4S2	6	ECM2-1816P-S4S2
ECM1-1808N-S4S2	5	ECM2-1816N-S4S2
ECM1-1808C-A2S2	7	ECM2-1816C-A2S2
ECM1-1808C-B2S2	8	ECM2-1816C-B2S2

5.0 φ44x0.1
Approx.132 g

Please see Page 18 for details and specifications of DC 2-Wire models on this page.

M30
● ○
16 mm 25mm
nickel plated brass
●



10-30VDC
<10%
<10mA
200mA
<0.01mA
-
-
<1.5V
500HZ
0.5ms/0.5ms
500HZ
0.5ms/0.5ms
<15%
<1.0%(Sr)
IP67
-25°C - +70°C
<10%(Sr)
YES
220mA
<10ms
RFI>3V/m / EFT>1KV / ESD>4KV (contact)
IEC 60947-5-2,Part 7.4.1 / IEC 60947-5-2,Part 7.4.2
PBT

ECM1-3016N-A3S2	1	ECM2-3025N-A3S2
ECM1-3016N-B3S2	2	ECM2-3025N-B3S2
ECM1-3016P-A3S2	3	ECM2-3025P-A3S2
ECM1-3016P-B3S2	4	ECM2-3025P-B3S2
ECM1-3016P-S4S2	6	ECM2-3025P-S4S2
ECM1-3016N-S4S2	5	ECM2-3025N-S4S2
ECM1-3016C-A2S2	7	ECM2-3025C-A2S2
ECM1-3016C-B2S2	8	ECM2-3025C-B2S2

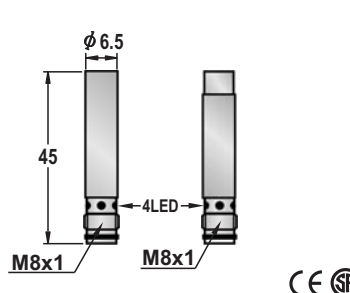

4 φ3x0.34
Approx.180 g

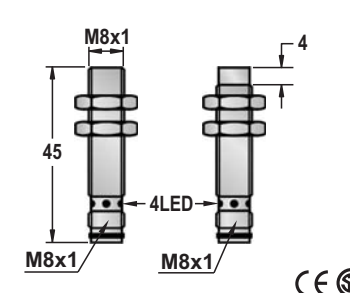

Note:
Coming Soon : Part numbers with underline
In Preparation: Part numbers with a line through the middle

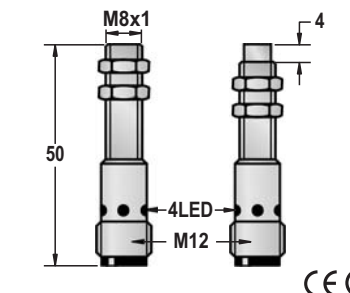

ϕ6.5、M8

DC SHORT BODY WITH EXTENDED SENSING DISTANCE CONNECTOR TYPE

DC SHORT BODY WITH EXTENDED SENSING DISTANCE CONNECTOR TYPE

ϕ 6.5		
●	○	
2 mm	4 mm	
stainless steel		
●		
		
		
10-30VDC		
<10%		
<10mA		
200mA		
<0.01mA		
-		
-		
<1.5V		
2KHZ	1KHZ	
0.1ms/0.1ms	0.2ms/0.2ms	
<15%		
<1.0%(Sr)		
IP67		
-25°C - +70°C		
<10%(Sr)		
YES		
220mA		
<10ms		
RFI>3V/m / EFT>1KV / ESD>4KV (contact)		
IEC 60947-5-2,Part 7.4.1 / IEC 60947-5-2,Part 7.4.2		
POM		
ECU1-D0602N-ACS3	29	ECU2-D0604N-ACS3
ECU1-D0602N-BCS3	29	ECU2-D0604N-BCS3
ECU1-D0602P-ACS3	30	ECU2-D0604P-ACS3
ECU1-D0602P-BCS2	30	ECU2-D0604P-BCS3
Approx.14 g		

M8		
●	○	
2 mm	4 mm	
stainless steel		
●		
		
		
10-30VDC		
<10%		
<10mA		
200mA		
<0.01mA		
-		
-		
<1.5V		
2KHZ	1KHZ	
0.1ms/0.1ms	0.2ms/0.2ms	
<15%		
<1.0%(Sr)		
IP67		
-25°C - +70°C		
<10%(Sr)		
YES		
220mA		
<10ms		
RFI>3V/m / EFT>1KV / ESD>4KV (contact)		
IEC 60947-5-2,Part 7.4.1 / IEC 60947-5-2,Part 7.4.2		
POM		
ECU1-0802N-ACS3	29	ECU2-0804N-ACS3
ECU1-0802N-BCS3	29	ECU2-0804N-BCS3
ECU1-0802P-ACS3	30	ECU2-0804P-ACS3
ECU1-0802P-BCS3	30	ECU2-0804P-BCS3
Approx.14 g		

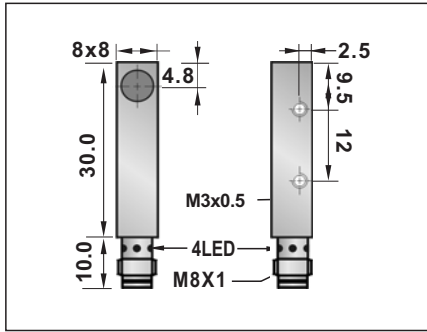
M8		
●	○	
2 mm	4 mm	
stainless steel or nickel plated brass		
●		
		
		
10-30VDC		
<10%		
<10mA		
200mA		
<0.01mA		
-		
-		
<1.5V		
2KHZ	1KHZ	
0.1ms/0.1ms	0.2ms/0.2ms	
<15%		
<1.0%(Sr)		
IP67		
-25°C - +70°C		
<10%(Sr)		
YES		
220mA		
<10ms		
RFI>3V/m / EFT>1KV / ESD>4KV (contact)		
IEC 60947-5-2,Part 7.4.1 / IEC 60947-5-2,Part 7.4.2		
POM		
ECU1-0802N-ARS4	29	ECU2-0804N-ARS4
ECU1-0802N-BRS4	29	ECU2-0804N-BRS4
ECU1-0802P-ARS4	30	ECU2-0804P-ARS4
ECU1-0802P-BRS4	30	ECU2-0804P-BRS4
Approx.17 g		

Q8、φ11、M12

DC SHORT BODY WITH EXTENDED SENSING DISTANCE CONNECTOR TYPE

DC SHORT BODY WITH EXTENDED SENSING DISTANCE CONNECTOR TYPE

Q8	
●	○
2 mm	
die-cast	
●	○

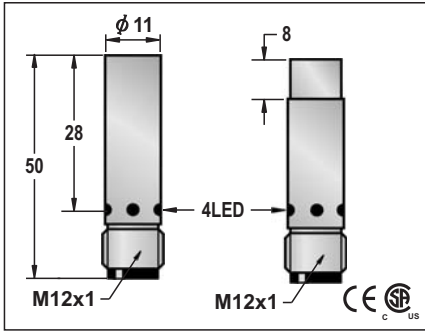


10-30VDC	
<10%	
<10mA	
200mA	
<0.01mA	
-	
-	
<1.5V	
2KHZ	
0.1ms/0.1ms	
<15%(Sr)	
<1.0%(Sr)	
IP67	
-25°C - +70°C	
<10%(Sr)	
YES	
220mA	
<10ms	
RFI>3V/m / EFT>1KV / ESD>4KV (contact)	
IEC 60947-5-2,Part 7.4.1 / IEC 60947-5-2,Part 7.4.2	
POM	

<u>EQM1-8802N-ACS3T</u>	29
<u>EQM1-8802N-BCS3T</u>	29
<u>EQM1-8802P-ACS3T</u>	30
<u>EQM1-8802P-BCS3T</u>	30

Approx.38 g	
-------------	--

φ11	
●	○
4 mm	8 mm
nickel plated brass	
●	○

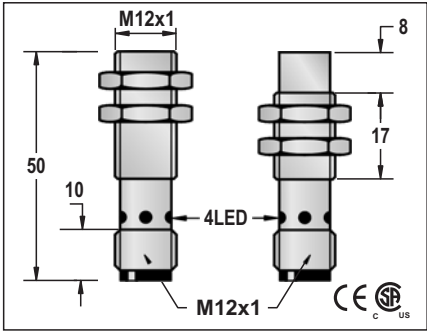


10-30VDC	
<10%	
<10mA	
200mA	
<0.01mA	
-	
-	
<1.5V	
1KHZ 500HZ	
0.2ms/0.2ms 0.5ms/0.5ms	
<15%	
<1.0%(Sr)	
IP67	
-25°C - +70°C	
<10%(Sr)	
YES	
220mA	
<10ms	
RFI>3V/m / EFT>1KV / ESD>4KV (contact)	
IEC 60947-5-2,Part 7.4.1 / IEC 60947-5-2,Part 7.4.2	
POM	

ECM1-D1104N-ARS4	33	ECM2-D1108N-ARS4
ECM1-D1104N-BRS4	34	ECM2-D1108N-BRS4
ECM1-D1104P-ARS4	35	ECM2-D1108P-ARS4
ECM1-D1104P-BRS4	36	ECM2-D1108P-BRS4
ECM1-D1104P-SRS4	38	ECM2-D1108P-SRS4
ECM1-D1104N-SRS4	37	ECM2-D1108N-SRS4
ECM1-D1104C-ARS4	40	ECM2-D1108C-ARS4
ECM1-D1104C-BRS4	78	ECM2-D1108C-BRS4

Please see Page 18 for details and specifications of DC 2-Wire models on this page.		
Approx.24 g		

M12	
●	○
4 mm	8 mm
nickel plated brass	
●	○



10-30VDC	
<10%	
<10mA	
200mA	
<0.01mA	
-	
-	
<1.5V	
1KHZ 500HZ	
0.2ms/0.2ms 0.5ms/0.5ms	
<15%	
<1.0%(Sr)	
IP67	
-25°C - +70°C	
<10%(Sr)	
YES	
220mA	
<10ms	
RFI>3V/m / EFT>1KV / ESD>4KV (contact)	
IEC 60947-5-2,Part 7.4.1 / IEC 60947-5-2,Part 7.4.2	
POM	
PBT	

ECM1-1204N-ARS4	33	ECM2-1208N-ARS4
ECM1-1204N-BRS4	34	ECM2-1208N-BRS4
ECM1-1204P-ARS4	35	ECM2-1208P-ARS4
ECM1-1204P-BRS4	36	ECM2-1208P-BRS4
ECM1-1204P-SRS4	38	ECM2-1208P-SRS4
ECM1-1204N-SRS4	37	ECM2-1208N-SRS4
ECM1-1204C-ARS4	40	ECM2-1208C-ARS4
ECM1-1204C-BRS4	78	ECM2-1208C-BRS4

Approx.25 g		
-------------	--	--

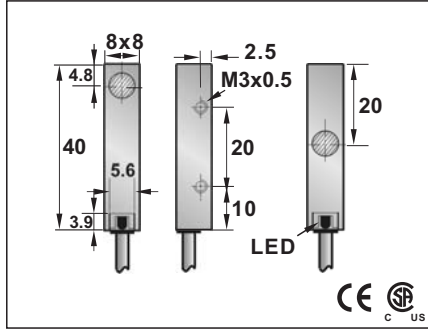
Note: Coming Soon : Part numbers with underline

Q8、φ11、M12

DC STANDARD BODY WITH EXTENDED SENSING DISTANCE PROXIMITY SWITCH

DC STANDARD BODY WITH EXTENDED SENSING DISTANCE PROXIMITY SWITCH

Q8
●
2 mm
die-cast
●

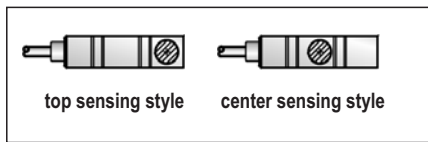


10-30VDC
<10%
<10mA
200mA
<0.01mA
-
-
<1.5V
2KHZ
0.1ms/0.1ms
<15%(Sr)
<1.0%(Sr)
IP67
-25°C - +70°C
<10%(Sr)
YES
220mA
<10ms

RFI>3V/m / EFT>1KV / ESD>4KV (contact)
IEC 60947-5-2,Part 7.4.1 / IEC 60947-5-2,Part 7.4.2

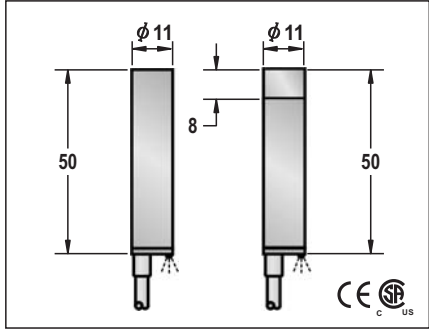
POM

EQM1-8802N-A3U2T	1	EQM1-8802N-A3U2M
EQM1-8802N-B3U2T	2	EQM1-8802N-B3U2M
EQM1-8802P-A3U2T	3	EQM1-8802P-A3U2M
EQM1-8802P-B3U2T	4	EQM1-8802P-B3U2M



3.0 φ3X0.15
Approx.38 g

φ11
● ○
4 mm 8 mm
nickel plated brass
●



10-30VDC
<10%
<10mA
200mA
<0.01mA
-
-
<1.5V
2KHZ
0.1ms/0.1ms
<15%
<1.0%(Sr)
IP67
-25°C - +70°C
<10%(Sr)
YES
220mA
<10ms

RFI>3V/m / EFT>1KV / ESD>4KV (contact)
IEC 60947-5-2,Part 7.4.1 / IEC 60947-5-2,Part 7.4.2

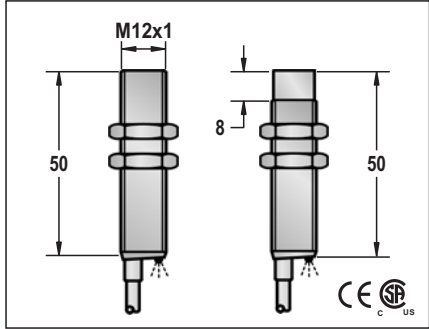
POM

ECM1-D1104N-A3U2	1	ECM2-D1108N-A3U2
ECM1-D1104N-B3U2	2	ECM2-D1108N-B3U2
ECM1-D1104P-A3U2	3	ECM2-D1108P-A3U2
ECM1-D1104P-B3U2	4	ECM2-D1108P-B3U2
ECM1-D1104P-S4U2	6	ECM2-D1108P-S4U2
ECM1-D1104N-S4U2	5	ECM2-D1108N-S4U2
ECM1-D1104C-A2U2	7	ECM2-D1108C-A2U2
ECM1-D1104C-B2U2	8	ECM2-D1108C-B2U2

Please see Page 18 for details and specifications of DC 2-Wire models on this page.

4 φ3x0.34
Approx.55 g

M12
● ○
4 mm 8mm
nickel plated brass
●



10-30VDC
<10%
<10mA
200mA
<0.01mA
-
-
<1.5V
2KHZ
0.1ms/0.1ms
<15%
<1.0%(Sr)
IP67
-25°C - +70°C
<10%(Sr)
YES
220mA
<10ms

RFI>3V/m / EFT>1KV / ESD>4KV (contact)
IEC 60947-5-2,Part 7.4.1 / IEC 60947-5-2,Part 7.4.2

POM

ECM1-1204N-A3U2	1	ECM2-1208N-A3U2
ECM1-1204N-B3U2	2	ECM2-1208N-B3U2
ECM1-1204P-A3U2	3	ECM2-1208P-A3U2
ECM1-1204P-B3U2	4	ECM2-1208P-B3U2
ECM1-1204P-S4U2	6	ECM2-1208P-S4U2
ECM1-1204N-S4U2	5	ECM2-1208N-S4U2
ECM1-1204C-A2U2	7	ECM2-1208C-A2U2
ECM1-1204C-B2U2	8	ECM2-1208C-B2U2

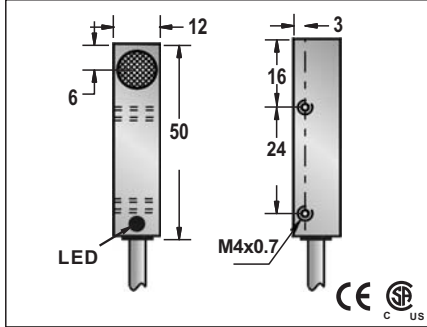
Please see Page 18 for details and specifications of DC 2-Wire models on this page.

4 φ3x0.34
Approx.67 g
Approx.67 g

Q12、M18、M30

DC STANDARD BODY WITH EXTENDED SENSING DISTANCE PROXIMITY SWITCH

Q12	
●	
4 mm	
die-cast	
●	

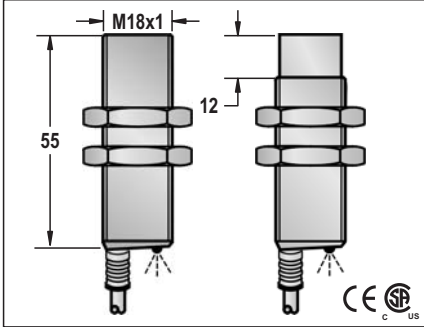


10-30VDC	
<10%	
<10mA	
200mA	
<0.01mA	
-	
-	
<1.5V	
1KHZ	
0.2ms/0.2ms	
<15%(Sr)	
<1.0%(Sr)	
IP67	
-25 °C - +70 °C	
<10%(Sr)	
YES	
220mA	
<10ms	
RFI>3V/m / EFT>1KV / ESD>4KV (contact)	
IEC 60947-5-2,Part 7.4.1 / IEC 60947-5-2,Part 7.4.2	
POM	

<u>EQM1-1204N-A3U2T</u>	1
<u>EQM1-1204N-B3U2T</u>	2
<u>EQM1-1204P-A3U2T</u>	3
<u>EQM1-1204P-B3U2T</u>	4

4 φ3X0.34	
Approx.75 g	

M18	
●	○
8 mm	16 mm
nickel plated brass	
●	

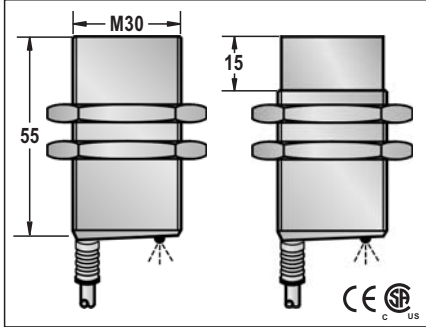


10-30VDC	
<10%	
<10mA	
200mA	
<0.01mA	
-	
-	
<1.5V	
500HZ	150HZ
0.5ms/0.5ms	1ms/1ms
<15%	
<1.0%(Sr)	
IP67	
-25 °C - +70 °C	
<10%(Sr)	
YES	
220mA	
<10ms	
RFI>3V/m / EFT>1KV / ESD>4KV (contact)	
IEC 60947-5-2,Part 7.4.1 / IEC 60947-5-2,Part 7.4.2	
PBT	

ECM1-1808N-A3U2	1	ECM2-1816N-A3U2
ECM1-1808N-B3U2	2	ECM2-1816N-B3U2
ECM1-1808P-A3U2	3	ECM2-1816P-A3U2
ECM1-1808P-B3U2	4	ECM2-1816P-B3U2
ECM1-1808P-S4U2	6	ECM2-1816P-S4U2
ECM1-1808N-S4U2	5	ECM2-1816N-S4U2
ECM1-1808C-A2U2	7	ECM2-1816C-A2U2
ECM1-1808C-B2U2	8	ECM2-1816C-B2U2

Please see Page 18 for details and specifications of DC 2-Wire models on this page.	
5.0 φ44x0.1	
Approx.153 g	Approx.144 g

M30	
●	○
16 mm	25mm
nickel plated brass	
●	



10-30VDC	
<10%	
<10mA	
200mA	
<0.01mA	
-	
-	
<1.5V	
150HZ	100HZ
1ms/1ms	1ms/1ms
<15%	
<1.0%(Sr)	
IP67	
-25 °C - +70 °C	
<10%(Sr)	
YES	
220mA	
<10ms	
RFI>3V/m / EFT>1KV / ESD>4KV (contact)	
IEC 60947-5-2,Part 7.4.1 / IEC 60947-5-2,Part 7.4.2	
PBT	

ECM1-3016N-A3U2	1	ECM2-3025N-A3U2
ECM1-3016N-B3U2	2	ECM2-3025N-B3U2
ECM1-3016P-A3U2	3	ECM2-3025P-A3U2
ECM1-3016P-B3U2	4	ECM2-3025P-B3U2
ECM1-3016P-S4U2	6	ECM2-3025P-S4U2
ECM1-3016N-S4U2	5	ECM2-3025N-S4U2
ECM1-3016C-A2U2	7	ECM2-3025C-A2U2
ECM1-3016C-B2U2	8	ECM2-3025C-B2U2

5.0 φ44x0.1	
Approx.217 g	Approx.207 g

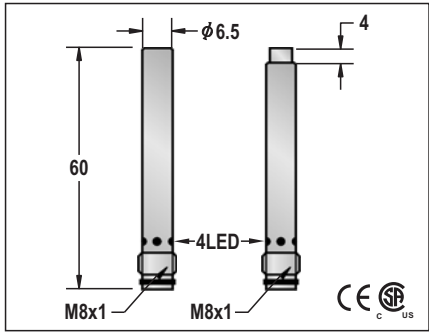
Note: Coming Soon : Part numbers with underline

φ 6.5、φ 8、M8

DC STANDARD BODY WITH EXTENDED SENSING DISTANCE CONNECTOR TYPE

DC STANDARD BODY WITH EXTENDED SENSING DISTANCE CONNECTOR TYPE

φ 6.5	
●	○
2 mm	4 mm
stainless steel	
●	

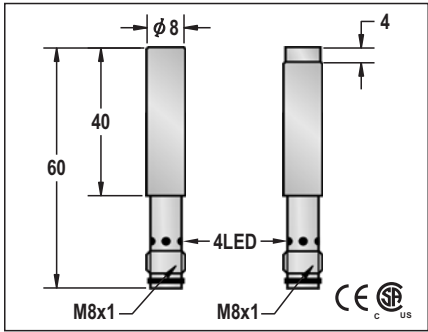


10-30VDC	
<10%	
<10mA	
200mA	
<0.01mA	
-	
-	
<1.5V	
2KHZ	1KHZ
0.1ms/0.1ms	0.2ms/0.2ms
<15%	
<1.0%(Sr)	
IP67	
-25 °C - +70 °C	
<10%(Sr)	
YES	
220mA	
<10ms	
RFI>3V/m / EFT>1KV / ESD>4KV (contact)	
IEC 60947-5-2,Part 7.4.1 / IEC 60947-5-2,Part 7.4.2	
POM	

ECU1-D0602N-ACU3	29	ECU2-D0604N-ACU3
ECU1-D0602N-BCU3	29	ECU2-D0604N-BCU3
ECU1-D0602P-ACU3	30	ECU2-D0604P-ACU3
ECU1-D0602P-BCU3	30	ECU2-D0604P-BCU3
ECU1-D0602P-SCU4	32	ECU2-D0604P-SCU4
ECU1-D0602N-SCU4	31	ECU2-D0604N-SCU4
ECU1-D0602C-ACU3	39	ECU2-D0604C-ACU3
ECU1-D0602C-BCU3	78	ECU2-D0604C-BCU3

Approx.17 g

φ 8	
●	○
2 mm	4mm
stainless steel	
●	



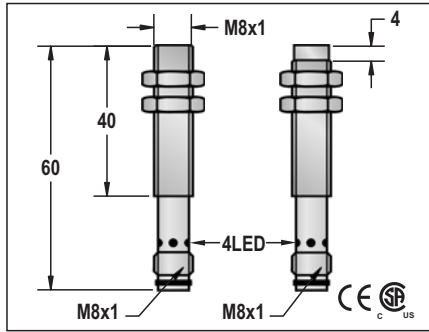
10-30VDC	
<10%	
<10mA	
200mA	
<0.01mA	
-	
-	
<1.5V	
2KHZ	1KHZ
0.1ms/0.1ms	0.2ms/0.2ms
<15%	
<1.0%(Sr)	
IP67	
-25 °C - +70 °C	
<10%(Sr)	
YES	
220mA	
<10ms	
RFI>3V/m / EFT>1KV / ESD>4KV (contact)	
IEC 60947-5-2,Part 7.4.1 / IEC 60947-5-2,Part 7.4.2	
POM	

ECU1-D0802N-ACU3	29	ECU2-D0804N-ACU3
ECU1-D0802N-BCU3	29	ECU2-D0804N-BCU3
ECU1-D0802P-ACU3	30	ECU2-D0804P-ACU3
ECU1-D0802P-BCU3	30	ECU2-D0804P-BCU3
ECU1-D0802P-SCU4	32	ECU2-D0804P-SCU4
ECU1-D0802N-SCU4	31	ECU2-D0804N-SCU4
ECU1-D0802C-ACU3	39	ECU2-D0804C-ACU3
ECU1-D0802C-BCU3	78	ECU2-D0804C-BCU3

Please see Page 18 for details and specifications of DC 2-Wire models on this page.

Approx.15 g

M8	
●	○
2 mm	4mm
stainless steel	
●	



10-30VDC	
<10%	
<10mA	
200mA	
<0.01mA	
-	
-	
<1.5V	
2KHZ	1KHZ
0.1ms/0.1ms	0.2ms/0.2ms
<15%	
<1.0%(Sr)	
IP67	
-25 °C - +70 °C	
<10%(Sr)	
YES	
220mA	
<10ms	
RFI>3V/m / EFT>1KV / ESD>4KV (contact)	
IEC 60947-5-2,Part 7.4.1 / IEC 60947-5-2,Part 7.4.2	
POM	

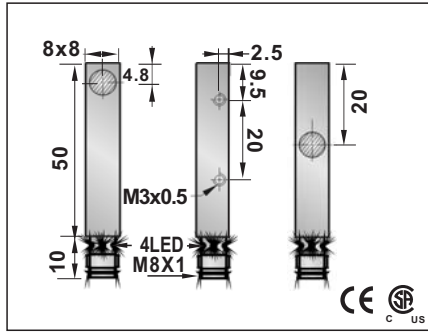
ECU1-0802N-ACU3	29	ECU2-0804N-ACU3
ECU1-0802N-BCU3	29	ECU2-0804N-BCU3
ECU1-0802P-ACU3	30	ECU2-0804P-ACU3
ECU1-0802P-BCU3	30	ECU2-0804P-BCU3
ECU1-0802P-SCU4	32	ECU2-0804P-SCU4
ECU1-0802N-SCU4	31	ECU2-0804N-SCU4
ECU1-0802C-ACU3	39	ECU2-0804C-ACU3
ECU1-0802C-BCU3	78	ECU2-0804C-BCU3

Approx.15 g

DC STANDARD BODY WITH EXTENDED SENSING DISTANCE CONNECTOR TYPE

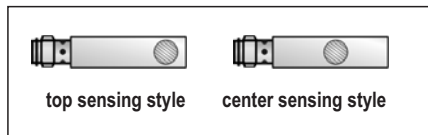
DC STANDARD BODY WITH EXTENDED SENSING DISTANCE CONNECTOR TYPE

Q8
●
2 mm
die-cast
●



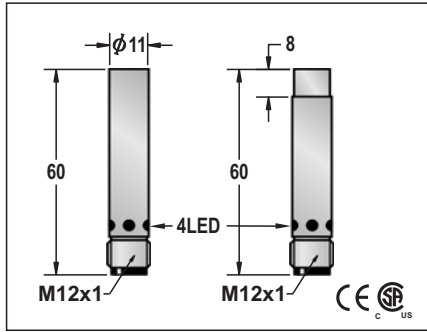
10-30VDC	
<10%	
<10mA	
200mA	
<0.01mA	
-	
-	
<1.5V	
2KHZ	
0.1ms/0.1ms	
<15%(Sr)	
<1.0%(Sr)	
IP67	
-25°C - +70°C	
<10%(Sr)	
YES	
220mA	
<10ms	
RFI>3V/m / EFT>1KV / ESD>4KV (contact)	
IEC 60947-5-2,Part 7.4.1 / IEC 60947-5-2,Part 7.4.2	
POM	

EQM1-8802N-ACU3T	29	EQM1-8802N-ACU3M
EQM1-8802N-BCU3T	29	EQM1-8802N-BCU3M
EQM1-8802P-ACU3T	30	EQM1-8802P-ACU3M
EQM1-8802P-BCU3T	30	EQM1-8802P-BCU3M



Approx.38 g

φ11	
●	○
4 mm	8 mm
nickel plated brass	
●	



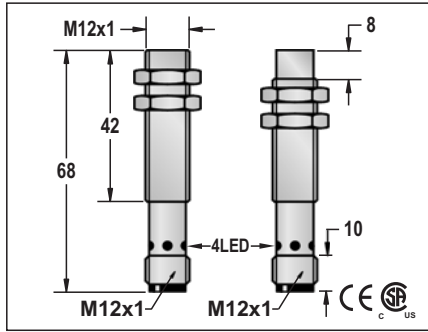
10-30VDC	
<10%	
<10mA	
200mA	
<0.01mA	
-	
-	
<1.5V	
1KHZ	500HZ
0.2ms/0.2ms	0.5ms/0.5ms
<15%	
<1.0%(Sr)	
IP67	
-25°C - +70°C	
<10%(Sr)	
YES	
220mA	
<10ms	
RFI>3V/m / EFT>1KV / ESD>4KV (contact)	
IEC 60947-5-2,Part 7.4.1 / IEC 60947-5-2,Part 7.4.2	
POM	

ECM1-D1104N-ARU4	33	ECM2-D1108N-ARU4
ECM1-D1104N-BRU4	34	ECM2-D1108N-BRU4
ECM1-D1104P-ARU4	35	ECM2-D1108P-ARU4
ECM1-D1104P-BRU4	36	ECM2-D1108P-BRU4
ECM1-D1104P-SRU4	38	ECM2-D1108P-SRU4
ECM1-D1104N-SRU4	37	ECM2-D1108N-SRU4
ECM1-D1104C-ARU4	40	ECM2-D1108C-ARU4
ECM1-D1104C-BRU4	78	ECM2-D1108C-BRU4

Please see Page 18 for details and specifications of DC 2-Wire models on this page.

Approx.30 g

M12	
●	○
4 mm	8 mm
nickel plated brass	
●	



10-30VDC	
<10%	
<10mA	
200mA	
<0.01mA	
-	
-	
<1.5V	
1KHZ	500HZ
0.2ms/0.2ms	0.5ms/0.5ms
<15%	
<1.0%(Sr)	
IP67	
-25°C - +70°C	
<10%(Sr)	
YES	
220mA	
<10ms	
RFI>3V/m / EFT>1KV / ESD>4KV (contact)	
IEC 60947-5-2,Part 7.4.1 / IEC 60947-5-2,Part 7.4.2	
POM	
PBT	

ECM1-1204N-ARU4	33	ECM2-1208N-ARU4
ECM1-1204N-BRU4	34	ECM2-1208N-BRU4
ECM1-1204P-ARU4	35	ECM2-1208P-ARU4
ECM1-1204P-BRU4	36	ECM2-1208P-BRU4
ECM1-1204P-SRU4	38	ECM2-1208P-SRU4
ECM1-1204N-SRU4	37	ECM2-1208N-SRU4
ECM1-1204C-ARU4	40	ECM2-1208C-ARU4
ECM1-1204C-BRU4	78	ECM2-1208C-BRU4

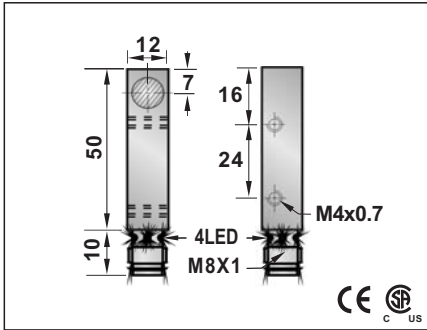
Approx.31 g

Q12、M18、M30

DC STANDARD BODY WITH EXTENDED SENSING DISTANCE CONNECTOR TYPE

DC STANDARD BODY WITH EXTENDED SENSING DISTANCE CONNECTOR TYPE

Q12
●
4 mm
die-cast
●

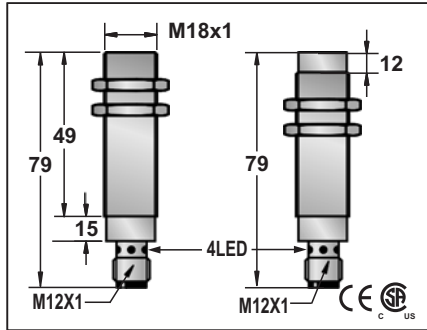


10-30VDC
<10%
<10mA
200mA
<0.01mA
-
-
<1.5V
1KHZ
0.2ms/0.2ms
<15%(Sr)
<1.0%(Sr)
IP67
-25°C - +70°C
<10%(Sr)
YES
220mA
<10ms
RFI>3V/m / EFT>1KV / ESD>4KV (contact)
IEC 60947-5-2,Part 7.4.1 / IEC 60947-5-2,Part 7.4.2
POM

<u>EQM1-1204N-ACU3T</u>	29
<u>EQM1-1204N-BCU3T</u>	29
<u>EQM1-1204P-ACU3T</u>	30
<u>EQM1-1204P-BCU3T</u>	30

Approx.38 g

M18	
●	○
8mm	16mm
nickel plated brass	
●	

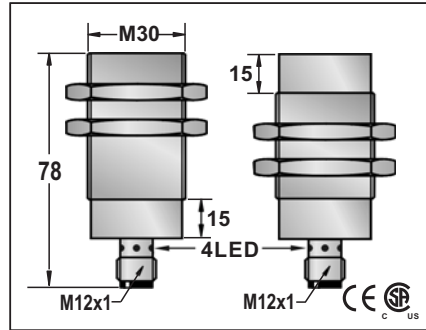


10-30VDC	
<10%	
<10mA	
200mA	
<0.01mA	
-	
-	
<1.5V	
500HZ	150HZ
0.5ms/0.5ms	1ms/1ms
<15%	
<1.0%(Sr)	
IP67	
-25°C - +70°C	
<10%(Sr)	
YES	
220mA	
<10ms	
RFI>3V/m / EFT>1KV / ESD>4KV (contact)	
IEC 60947-5-2,Part 7.4.1 / IEC 60947-5-2,Part 7.4.2	
PBT	

ECM1-1808N-ARU4	33	ECM2-1816N-ARU4
ECM1-1808N-BRU4	34	ECM2-1816N-BRU4
ECM1-1808P-ARU4	35	ECM2-1816P-ARU4
ECM1-1808P-BRU4	36	ECM2-1816P-BRU4
ECM1-1808P-SRU4	38	ECM2-1816P-SRU4
ECM1-1808N-SRU4	37	ECM2-1816N-SRU4
ECM1-1808C-ARU4	40	ECM2-1816C-ARU4
ECM1-1808C-BRU4	78	ECM2-1816C-BRU4

Please see Page 18 for details and specifications of DC 2-Wire models on this page.	
Approx.94 g	Approx.91 g

M30	
●	○
16mm	25mm
nickel plated brass	
●	



10-30VDC	
<10%	
<10mA	
200mA	
<0.01mA	
-	
-	
<1.5V	
150HZ	100HZ
1ms/1ms	1ms/1ms
<15%	
<1.0%(Sr)	
IP67	
-25°C - +70°C	
<10%(Sr)	
YES	
220mA	
<10ms	
RFI>3V/m / EFT>1KV / ESD>4KV (contact)	
IEC 60947-5-2,Part 7.4.1 / IEC 60947-5-2,Part 7.4.2	
PBT	

ECM1-3016N-ARU4	33	ECM2-3025N-ARU4
ECM1-3016N-BRU4	34	ECM2-3025N-BRU4
ECM1-3016P-ARU4	35	ECM2-3025P-ARU4
ECM1-3016P-BRU4	36	ECM2-3025P-BRU4
ECM1-3016P-SRU4	38	ECM2-3025P-SRU4
ECM1-3016N-SRU4	37	ECM2-3025N-SRU4
ECM1-3016C-ARU4	40	ECM2-3025C-ARU4
ECM1-3016C-BRU4	78	ECM2-3025C-BRU4

Approx.187 g	Approx.179 g
--------------	--------------

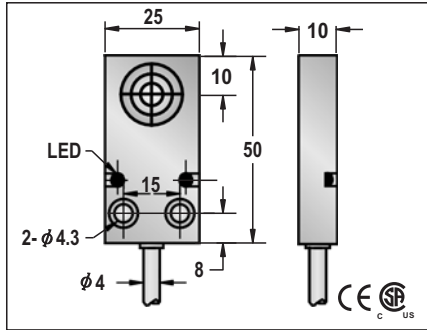
Note:
Coming Soon : Part numbers with underline

Q25x50x10、Q16x28x10

DC EXTENDED SENSING DISTANCE PROXIMITY SWITCH SQUARE TYPE

DC EXTENDED SENSING DISTANCE PROXIMITY SWITCH SQUARE TYPE

Q25x50x10	
●	
8 mm	
die-cast	
●	

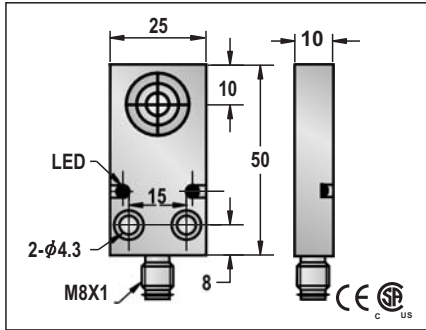


10-30VDC
<10%
<10mA
200mA
<0.01mA
-
-
<1.5V
500HZ
0.5ms/0.5ms
<15%
<1.0%(Sr)
IP67
-25 °C - +70 °C
<10%(Sr)
YES
220mA
<10ms
RFI>3V/m / EFT>1KV / ESD>4KV (contact)
IEC 60947-5-2,Part 7.4.1 / IEC 60947-5-2,Part 7.4.2
PBT

<u>EQM1-2508N-A3U2T</u>	1
<u>EQM1-2508N-B3U2T</u>	2
<u>EQM1-2508P-A3U2T</u>	3
<u>EQM1-2508P-B3U2T</u>	4
<u>EQM1-2508P-S4U2T</u>	6
<u>EQM1-2508N-S4U2T</u>	5
<u>EQM1-2508C-A2U2T</u>	7
<u>EQM1-2508C-B2U2T</u>	8

4 φ 3x0.15	
Approx.90 g	

Q25x50x10	
●	
8 mm	
die-cast	
●	

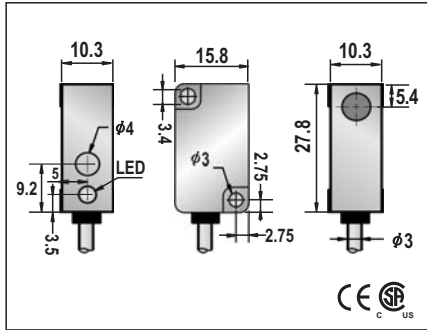


10-30VDC
<10%
<10mA
200mA
<0.01mA
-
-
<1.5V
500HZ
0.5ms/0.5ms
<15%
<1.0%(Sr)
IP67
-25 °C - +70 °C
<10%(Sr)
YES
220mA
<10ms
RFI>3V/m / EFT>1KV / ESD>4KV (contact)
IEC 60947-5-2,Part 7.4.1 / IEC 60947-5-2,Part 7.4.2
PBT

<u>EQM1-2508N-ACU3T</u>	25
<u>EQM1-2508N-BCU3T</u>	25
<u>EQM1-2508P-ACU3T</u>	26
<u>EQM1-2508P-BCU3T</u>	26
<u>EQM1-2508P-SCU4T</u>	28
<u>EQM1-2508N-SCU4T</u>	27
<u>EQM1-2508C-ACU3T</u>	35
<u>EQM1-2508C-BCU3T</u>	73

Please see Page 18 for details and specifications of DC 2-Wire models on this page.	
Approx.55 g	

Q16x28x10	
●	○
2 mm	4 mm
die-cast	
●	



10-30VDC or 5-36VDC
<10%
<10mA
200mA
<0.01mA
-
-
<1.5V
2KHZ
0.1ms/0.1ms
<15%(Sr)
<1.0%(Sr)
IP67
-25 °C - +70 °C
<10%(Sr)
YES
220mA
<10ms
RFI>3V/m / EFT>1KV / ESD>4KV (contact)
IEC 60947-5-2,Part 7.4.1 / IEC 60947-5-2,Part 7.4.2
POM

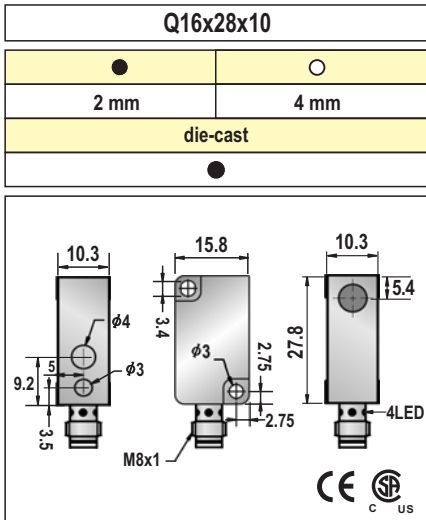
<u>EQM1-2802N-A3U2</u>	1	<u>EQM2-2804N-A3U2</u>
<u>EQM1-2802N-B3U2</u>	2	<u>EQM2-2804N-B3U2</u>
<u>EQM1-2802P-A3U2</u>	3	<u>EQM2-2804P-A3U2</u>
<u>EQM1-2802P-B3U2</u>	4	<u>EQM2-2804P-B3U2</u>
<u>EQM1-2802P-S4U2</u>	6	<u>EQM2-2804P-S4U2</u>
<u>EQM1-2802N-S4U2</u>	5	<u>EQM2-2804N-S4U2</u>
<u>EQM1-2802C-A2U2</u>	7	<u>EQM2-2804C-A2U2</u>
<u>EQM1-2802C-B2U2</u>	8	<u>EQM2-2804C-B2U2</u>

3.0 φ 3X0.15	
Approx.60 g	

Note:
Coming Soon : Part numbers with underline
In Preparation: Part numbers with a line through the middle

Q16x28x10、Q40x25x12

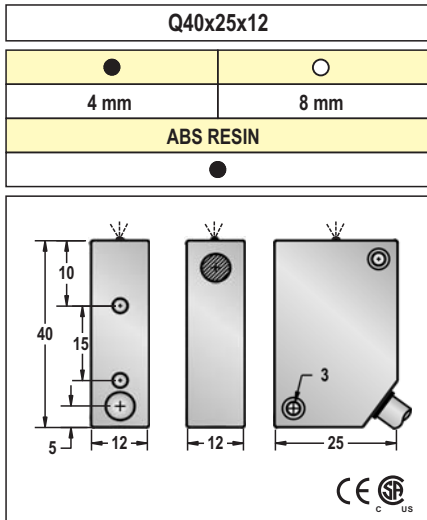
DC EXTENDED SENSING DISTANCE PROXIMITY SWITCH SQUARE TYPE



10-30VDC or 5-36VDC	
<10%	
<10mA	
200mA	
<0.01mA	
-	
-	
<1.5V	
2KHZ	
0.1ms/0.1ms	
<15%(Sr)	
<1.0%(Sr)	
IP67	
-25°C - +70°C	
<10%(Sr)	
YES	
220mA	
<10ms	
RFI>3V/m / EFT>1KV / ESD>4KV (contact)	
IEC 60947-5-2, Part 7.4.1 / IEC 60947-5-2, Part 7.4.2	
POM	

<u>EQM1-2802N-ACU3</u>	29	<u>EQM2-2804N-ACU3</u>
EQM1-2802N-BCU3	29	EQM2-2804N-BCU3
<u>EQM1-2802P-ACU3</u>	30	<u>EQM2-2804P-ACU3</u>
EQM1-2802P-BCU3	30	EQM2-2804P-BCU3
<u>EQM1-2802P-SCU4</u>	32	<u>EQM2-2804P-SCU4</u>
EQM1-2802N-SCU4	31	EQM2-2804N-SCU4
EQM1-2802C-ACU3	39	EQM2-2804C-ACU3
EQM1-2802C-BCU3	77	EQM2-2804C-BCU3

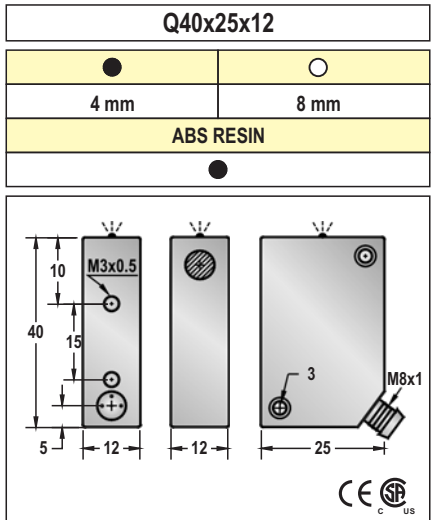
Approx.60 g



10-30VDC	
<10%	
<10mA	
200mA	
<0.01mA	
-	
-	
<1.5V	
1KHZ	500HZ
0.2ms/0.2ms	0.5ms/0.5ms
<15%	
<1.0%(Sr)	
IP67	
-25°C - +70 °C	
<10%(Sr)	
YES	
220mA	
<10ms	
RFI>3V/m / EFT>1KV / ESD>4KV (contact)	
IEC 60947-5-2, Part 7.4.1 / IEC 60947-5-2, Part 7.4.2	
-	

<u>EQP1-4004N-A3U2</u>	1	<u>EQP2-4008N-A3U2</u>
EQP1-4004N-B3U2	2	EQP2-4008N-B3U2
<u>EQP1-4004P-A3U2</u>	3	<u>EQP2-4008P-A3U2</u>
EQP1-4004P-B3U2	4	EQP2-4008P-B3U2
<u>EQP1-4004P-S4U2</u>	6	<u>EQP2-4008P-S4U2</u>
EQP1-4004N-S4U2	5	EQP2-4008N-S4U2
EQP1-4004C-A2U2	7	EQP2-4008C-A2U2
EQP1-4004C-B2U2	8	EQP2-4008C-B2U2

Please see Page 18 for details and specifications of DC 2-Wire models on this page.	
4φ3x0.15	
Approx.60 g	



10-30VDC	
<10%	
<10mA	
200mA	
<0.01mA	
-	
-	
<1.5V	
1KHZ	500HZ
0.2ms/0.2ms	0.5ms/0.5ms
<15%	
<1.0%(Sr)	
IP67	
-25°C - +70 °C	
<10%(Sr)	
YES	
220mA	
<10ms	
RFI>3V/m / EFT>1KV / ESD>4KV (contact)	
IEC 60947-5-2, Part 7.4.1 / IEC 60947-5-2, Part 7.4.2	
-	

<u>EQP1-4004N-ACU3</u>	29	<u>EQP2-4008N-ACU3</u>
EQP1-4004N-BCU3	29	EQP2-4008N-BCU3
<u>EQP1-4004P-ACU3</u>	30	<u>EQP2-4008P-ACU3</u>
EQP1-4004P-BCU3	30	EQP2-4008P-BCU3
<u>EQP1-4004P-SCU4</u>	32	<u>EQP2-4008P-SCU4</u>
EQP1-4004N-SCU4	31	EQP2-4008N-SCU4
EQP1-4004C-ACU3		EQP2-4008C-ACU3
EQP1-4004C-BCU3		EQP2-4008C-BCU3

Approx.55 g	
-------------	--

DC EXTENDED SENSING DISTANCE PROXIMITY SWITCH SQUARE TYPE

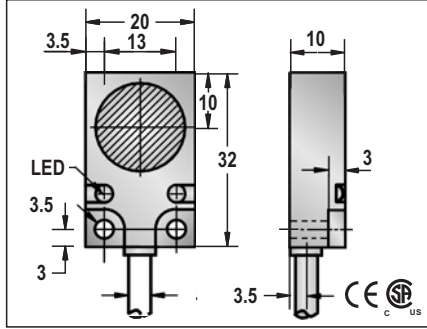
Note:
 Coming Soon : Part numbers with underline
 In Preparation: Part numbers with a line through the middle

Q20x32x10

DC EXTENDED SENSING DISTANCE PROXIMITY SWITCH SQUARE TYPE

DC EXTENDED SENSING DISTANCE PROXIMITY SWITCH SQUARE TYPE

Q20x32x10	
●	
8 mm	
die-cast	
●	



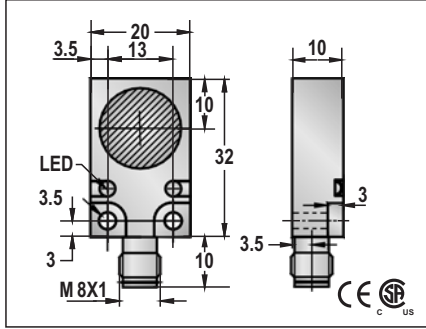
10-30VDC	
<10%	
<10mA	
200mA	
<0.01mA	
-	
-	
<1.5V	
500HZ	
0.5ms/0.5ms	
<15%	
<1.0%(Sr)	
IP67	
-25°C - +70°C	
<10%(Sr)	
YES	
220mA	
<10ms	
RFI>3V/m / EFT>1KV / ESD>4KV (contact)	
IEC 60947-5-2, Part 7.4.1 / IEC 60947-5-2, Part 7.4.2	
PBT	

<u>EQM1-2008N-A3U2T</u>	1
<u>EQM1-2008N-B3U2T</u>	2
<u>EQM1-2008P-A3U2T</u>	3
<u>EQM1-2008P-B3U2T</u>	4
<u>EQM1-2008P-S4U2T</u>	6
<u>EQM1-2008N-S4U2T</u>	5
<u>EQM1-2008C-A2U2T</u>	7
<u>EQM1-2008C-B2U2T</u>	8

Please see Page 18 for details and specifications of DC 2-Wire models on this page.

4 ϕ 3x0.15	
Approx. 55 g	

Q20x32x10	
●	
8 mm	
die-cast	
●	



10-30VDC	
<10%	
<10mA	
200mA	
<0.01mA	
-	
-	
<1.5V	
500HZ	
0.5ms/0.5ms	
<15%	
<1.0%(Sr)	
IP67	
-25°C - +70°C	
<10%(Sr)	
YES	
220mA	
<10ms	
RFI>3V/m / EFT>1KV / ESD>4KV (contact)	
IEC 60947-5-2, Part 7.4.1 / IEC 60947-5-2, Part 7.4.2	
PBT	

<u>EQM1-2008N-ACU3T</u>	29
<u>EQM1-2008N-BCU3T</u>	29
<u>EQM1-2008P-ACU3T</u>	30
<u>EQM1-2008P-BCU3T</u>	30
<u>EQM1-2008P-SCU4T</u>	32
<u>EQM1-2008N-SCU4T</u>	31

Approx. 30 g	
--------------	--

Note:
Coming Soon : Part numbers with underline

M30

AC STANDARD BODY WITH EXTENDED SENSING DISTANCE CONNECTOR TYPE

M30		
●		○
16 mm		25 mm
nickel plated brass		
●		
20-250VAC		
-		
<1.8mA		
400mA		
1.8mA		
5A(20ms)		
5mA		
<8VAC AT 400MA		
<25HZ		
10ms/10ms		
<15%		
<1.0%(Sr)		
IP67		
-25°C - +70°C		
<10%(Sr)		
-		
-		
-		
RFI>3V/m / EFT>1KV / ESD>4KV (contact)		
IEC 60947-5-2,Part 7.4.1 / IEC 60947-5-2,Part 7.4.2		
PBT		
ECM1-3016A-AUL3	51	ECM2-3025A-AUL3
ECM1-3016A-BUL3	51	ECM2-3025A-BUL3
Approx.187 g		Approx.179 g

AC STANDARD BODY WITH EXTENDED SENSING DISTANCE CONNECTOR TYPE