

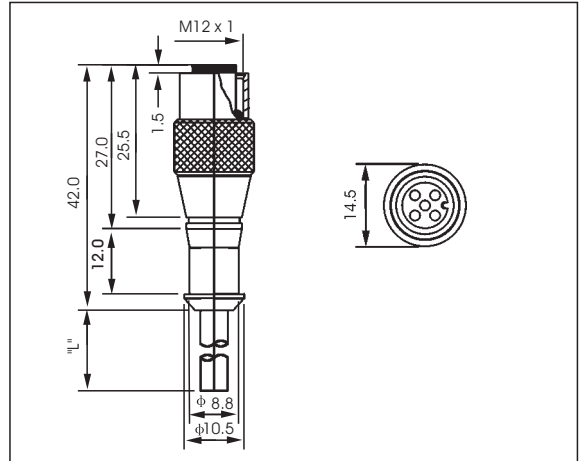
EURO-STYLE QUICK DISCONNECT CABLES

View



- Female Euro-style
- Screw locking with (auto) securing safety nut
- With moulded cable

Dimensional data



Technical Data

Application Class: HNA acc. to DIN 40040
(-25 °C / +90 °C / ≤ 100%rF)

Moulded Body: TPU, self-extinguishing

Nominal Power: 4A (CSA=3A), 8 poles=1.5A

Nominal Voltage: 3+4 poles, 250VAC/300VDC
5+8 poles, 30VAC/36VDC

Contact: CuSn, brass, pre-nickeled and 0.3 microns gold-plated
8 poles=CuZn, pre-nickeled and 0.8 microns gold-plated

Body: TPU, self-extinguishing

Securing Safety Nut: Nickel plated brass

O-Ring: Viton

Protection: IP 68

Insulation Group: C acc. to VDE 0110

Test Voltage: 3+4 poles, 2.0 KV eff./60s.
5+8 poles, 1.5 KV eff./60s.

Contact Resistance: ≤ 5mΩ

Insulation Resistance: > 10⁹Ω

CSA certified: 219967

Catalog Number

Part-No	Poles	Face View female	Color Code	Conductors		Outer Jacket	
				Guage	Stranding	φ mm	Material
R-FS3TZV062	3		1=brown 3=blue 4=black	0.34mm ²	42xφ0.10	5.0	PVC
R-FS3TZV312				0.34mm ²	42xφ0.10		PVC irradiated
R-FS3TZY042				0.34mm ²	42xφ0.10		PUR/PVC
R-FS4/3TZV062	4		1=brown 2=- 3=blue 4=black	0.34mm ²	42xφ0.10	5.0	PVC
R-FS4/3TZV312				0.34mm ²	42xφ0.10		PVC irradiated
R-FS4/3TZY042				0.34mm ²	42xφ0.10		PUR/PVC
R-FS4TZV072	4		1=brown 2=white 3=blue 4=black	0.25mm ²	32xφ0.10	5.0	PVC
R-FS4TZV812				0.34mm ²	42xφ0.10		PVC irradiated
R-FS4TZY872				0.25mm ²	32xφ0.10		PUR/PVC
R-FS5TZU822	5		1=brown 2=white 3=blue 4=black 5=gray	0.50mm ²	16xφ0.20	6.0	PUR
R-FS8TZU092	8		1=white 2=brown 3=green 4=yellow 5=grey 6=pink 7=blue 8=red	0.25mm ²	32xφ0.10	6.0	PUR

Standard length: 2.0 m, 5.0 m, 7.5 m, 10.0 m. Other cable length or cable specifications on request.

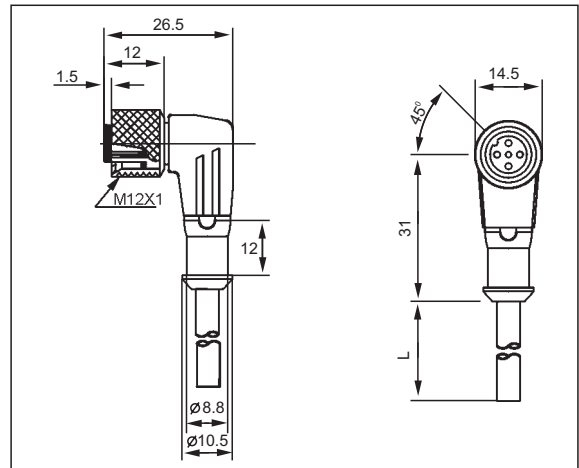
EURO-STYLE QUICK DISCONNECT CABLES

View



- Female Euro-style
- Right-angle style
- Screw locking with (auto) securing safety nut
- With moulded cable

Dimensional data



Technical Data

Application Class: HNA acc. to DIN 40040
 (-25 °C / +90 °C / ≤ 100%rF)

Moulded Body: TPU, self-extinguishing

Nominal Power: 4A (CSA=3A)

Nominal Voltage: 3+4poles, 250VAC/300VDC
 5poles, 30VAC/36VDC

Contact: CuSn, brass, pre-nickel and 0.3 microns gold-plated

O-Ring: Viton

Body: TPU, self-extinguishing

Securing Safety Nut: Nickel plated brass

Protection: IP 68

Test Voltage: 3+4poles, 2.0 KV eff./60s.
 5+8poles, 1.5 KV eff./60s.

Insulation Group: C acc. to VDE 0110

Contact Resistance: ≤ 5m Ω

Insulation Resistance: >10⁹ Ω

CSA certified: 219967

Catalog Number

Part-No	Poles	Face View female	Color Code	Conductors		Outer Jacket	
				Guage	Stranding	φ mm	Material
R-FA3TZV062	3		1=brown 3=blue 4=black	0.34mm ²	42x φ 0.10	5.0	PVC
R-FA3TZV312				0.34mm ²	42x φ 0.10		PVC irradiated
R-FA3TZY042				0.34mm ²	42x φ 0.10		PUR/PVC
R-FA4/3TZV062	4		1=brown 2=- 3=blue 4=black	0.34mm ²	42x φ 0.10	5.0	PVC
R-FA4/3TZV312				0.34mm ²	42x φ 0.10		PVC irradiated
R-FA4/3TZY042				0.34mm ²	42x φ 0.10		PUR/PVC
R-FA4TZV072	4		1=brown 2=white 3=blue 4=black	0.25mm ²	32x φ 0.10	5.0	PVC
R-FA4TZV812				0.34mm ²	42x φ 0.10		PVC irradiated
R-FA4TZY872				0.25mm ²	32x φ 0.10		PUR/PVC
R-FA5TZU822	5		1=brown 2=white 3=blue 4=black 5=gray	0.50mm ²	16x φ 0.20	6.0	PUR

Standard length: 2.0 m, 5.0 m, 7.5 m, 10.0 m. Other cable length or cable specifications on request.