

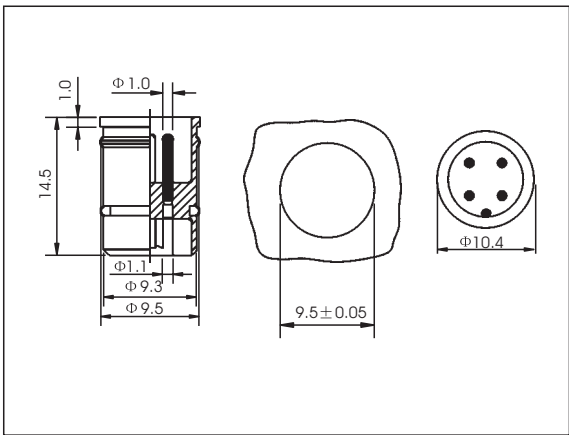
EURO-STYLE QUICK DISCONNECT RECEPTACLES

View



- Euro-style plug insert for proximity switch M12
- Viton o-ring seal

Dimensional data



Technical Data

Application Class:	HLE acc. to DIN 40040 (-25 °C / +110 °C / ≤ 75%rF)	Mode of Connection:	Solder types
Moulded Body:	PA, self-extinguishing	O-Ring:	Viton
Nominal Voltage:	60VAC/75VDC 250VAC/300VDC (Solder Contacts potted with epoxy)	Protection:	IP 68
Contact:	CuZn, brass, pre-nickeled and 0.8 microns gold-plated	Test Voltage:	4poles 2.0 KV eff./60s. 5poles 1.5 KV eff./60s.
Nominal Power:	4A	Insulation Resistance:	> 10 ⁹ Ω
		CSA certified:	219967

Catalog Number

Part-No	Poles	Face View male	Shaft- φ mm	Ventilation hole φ mm
R-MS4	4		9.5 mm/9.3mm	—
R-MS5	5		9.5 mm/9.3mm	—

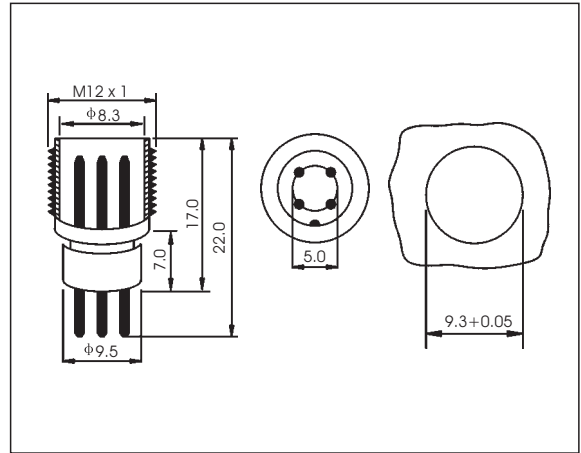
EURO-STYLE QUICK DISCONNECT RECEPTACLES

View



- Euro-style plug insert for proximity switch M12
- Viton o-ring seal

Dimensional data



Technical Data

Application Class: HLE acc. to DIN 40040
(-25 °C / +110 °C / ≤ 100%rF)

Moulded Body: PA, self-extinguishing

Nominal Voltage: 60VAC/75VDC
250VAC/300VDC (Solder Contacts potted with epoxy)

Contact: CuZn, brass ,pre-nickeled and 0.8 microns gold-plated

Nominal Power: 4A

Mode of Connection; Solder types

O-Ring: Viton

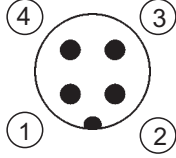
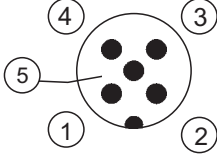
Protection IP 68

Test Voltage: 4poles 2.0 KV eff./60s.
5poles 1.5 KV eff./60s.

Insulation Resistance: > 10⁹Ω

CSA certified: 219967

Catalog Number

Part-No	Poles	Face View male	Shaft- ϕ mm	Ventilation Hole ϕ mm
R-MS4/M12	4		9.5 mm/9.3mm	—
R-MS5/M12	5		9.5 mm/9.3mm	—

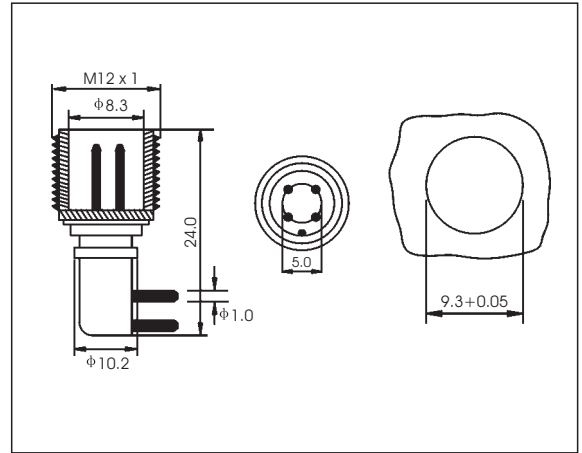
EURO-STYLE QUICK DISCONNECT RECEPTACLES

View



- Euro-style plug insert for proximity switch M12
- Viton O-ring seal

Dimensional data



Technical Data

Application Class: HLE acc. to DIN 40040
 (-25 °C / +110 °C / ≤ 100%rF)

Moulded Body: PA, self-extinguishing

Nominal Voltage: 60VAC/75VDC
 250VAC/300VDC (Solder contacts potted with epoxy)

Contact: CuZn, brass, pre-nickel and 0.8 microns gold-plated

Nominal Power: 4A

Mode of Connection: Solder types

O-Ring: Viton

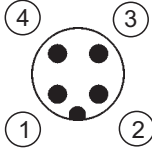
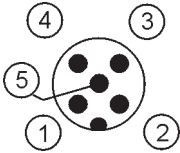
Protection: IP 68

Test Voltage: 4poles 2.0 KV eff./60s.
 5poles 1.5 KV eff./60s.

Insulation Resistance: > 10⁹Ω

CSA certified: 219967

Catalog Number

Part-No	Poles	Face View male	Shaft- ϕ mm	Ventilation Hole ϕ mm
R-MA4/M12	4		9.5 mm/9.3mm	—
R-MA5/M12	5		9.5 mm/9.3mm	—