

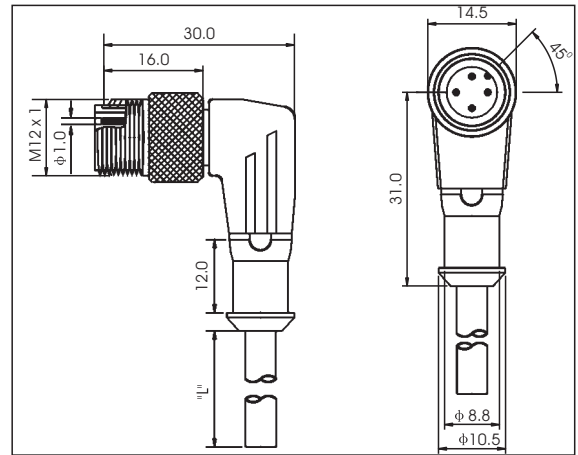
EURO-STYLE QUICK DISCONNECT CABLES

View



- Male Euro-style
- Right-angle style
- With built-in LED
- Screw locking with (auto) securing safety nut
- With moulded cable

Dimensional data



Technical Data

Application Class: HNA acc. to DIN 40040
(-25 °C +90 °C / ≤100%rF)

Moulded Body: TPU, self-extinguishing

Nominal Power: 4A

Nominal Voltage: 3+4poles,250VAC/300VDC

5poles,30VAC/36VDC

Contact: CuZn, pre-nickel and
0.8 microns gold-plated

Body : TPU, self-extinguishing

Securing Safety Nut: Nickel plated brass

Protection: IP 68

Insulation Resistance: C acc.to VDE 0110

Test Voltage: 3+4poles,2.0 KV eff./60s.

5poles,1.5 KV eff./60s.

Insulation Resistance: > 10⁹Ω

CSA certified: 219967

Catalog Number

Part-No	Poles	Face View male	Color Code	Conductors		Outer Jacket	
				Guage	Stranding	φ mm	Material
R-MA3TPV062	3		1=brown 3=blue 4=black	0.34mm ²	42xφ0.10	5.0	PVC
R-MA4/3TPV062	4		1=brown 2=- 3=blue 4=black	0.34mm ²	42xφ0.10	5.0	PVC
R-MA3TNV062	3		1=brown 3=blue 4=black	0.34mm ²	42xφ0.10	5.0	PVC
R-MA4/3TNV062	4		1=brown 2=- 3=blue 4=black	0.34mm ²	42xφ0.10	5.0	PVC
R-MA4/3TNV312	4		1=brown 2=- 3=blue 4=black	0.34mm ²	42xφ0.10	5.0	PVC irradiated
R-MA4/3TNV042							PUR/PVC

Standard length: 2.0 m, 5.0 m, 7.5 m, 10.0 m. Other cable length or cable specifications on request.