

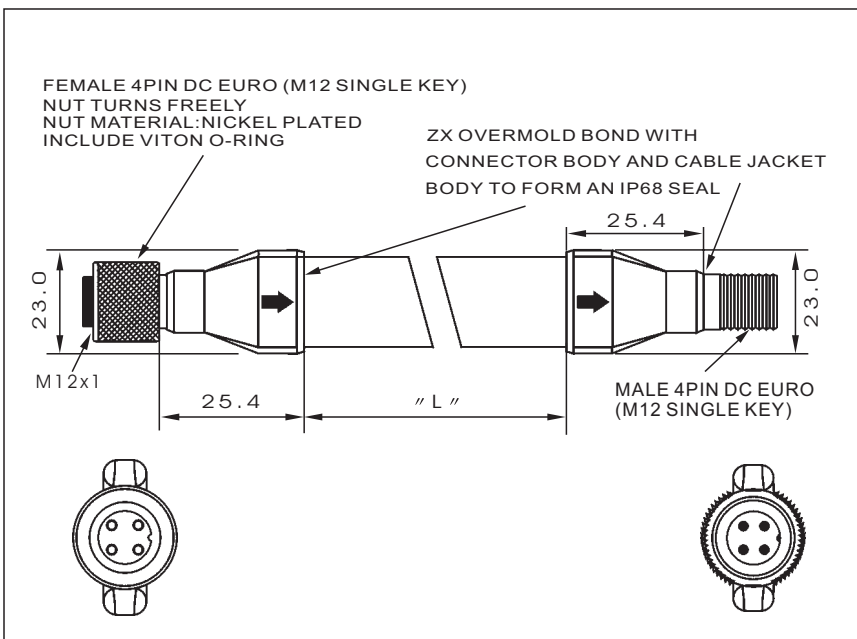
CABLE EXTENSIONS, IP68 (M12 TO M12)

View



- Euro-style (female) screw locking with (auto) securing safety nut
- Cable Extensions
- Euro-style (male) with screw-lock and moulded cable safety nut
- Black

Dimensional data



MALE				FEMALE			
PIN1	PIN2	PIN3	PIN4	PIN1	PIN2	PIN3	PIN4
BRN	WHT	BLU	BLK	BRN	WHT	BLU	BLK

Technical Data

Application Class:	GNA acc. To DIN 40040 (-40 °C / +90 °C / ≤ 100%rF)	Withdrawal Force/Contact:	≥ 3N
Moulded Body:	PVC self-extinguishing	Protection:	IP 68
Nominal Power:	4A	Water Pressure Resistance:	10 bar
Nominal Voltag:	250VAC	Insulation Group:	C acc.to VDE 0110
Locknut:	Nickel plated brass	Contact Resistance:	≤ 5mΩ
Contact:	CuZn, 3 microns silver-plated and 0.25 microns gold-plated	Test Voltage:	2+3poles, 2.0 KV eff./60s. 4+5poles, 1.5 KV eff./60s.
Insertion Force/Contact:	≥ 3N	Insulation Resistance:	>10 ⁹ Ω
		CSA certified:	219967

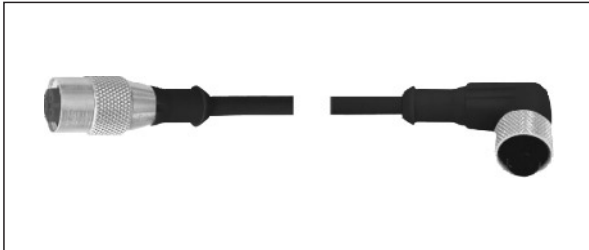
Catalog Number

Part-No	Poles	Face View female/male	Color Code	Conductors		Outer Jacket	
				Guage	Stranding	mm(width)	Material
R-FS4TZ+ MS4TZV71xx/Flat	4		1=brown 2=white 3=blue 4=black	0.71mm ²	40 x φ 0.15	20.0	PVC

Standard length: 0.3m, 0.6m, 1.0m, 1.5m, 2.0m. Other cable length or cable specifications on request.

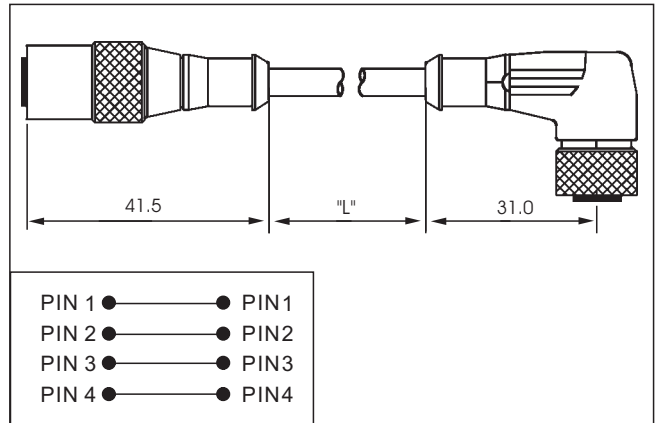
CABLE EXTENSIONS, IP68 (M12 TO M12)

View



- Cable Extensions
- Female euro-style (M12) screw locking with (auto) securing safety nut
- Female euro-style (M12) right angle style Screw locking with (auto) securing safety nut

Dimensional data



Technical Data

Application Class: HNA acc. to DIN 40040
 (-25 °C/+ 90 °C / ≤ 100%rF)
 Body: TPU, self-extinguishing
 Normal Power: 4A
 Normal Voltage: 250VAC/300VDC
 Securing Safety Nut: Nickel plated brass
 Protection: IP 68, NEMA 6P
 (only in full locked position)

Shock: IEC-68-2-27
 Vibration: IEC-68-2-6
 Contact Resistance: ≤ 5m Ω
 Dielectric Withstanding
 Voltage: 2KVAC RMS/60sec
 Insulation Resistance: > 10⁹ Ω
 CSA certified: 219967

Order Information

Part -No	Poles	(4 pole female insert front view)	(4 pole female insert front view)	Color code	Conductors		Outer Jacket	
					Guage	Stranding	φ mm	Material
R-FS4TZV07xx+ R-FA4TZV07xx	4			1=brown 2=white 3=blue 4=black	0.25mm ²	32 x 0.10	5.0	PVC

Standard length: 2.0 m and 5.0 m. Other cable length or cable specifications on request.