

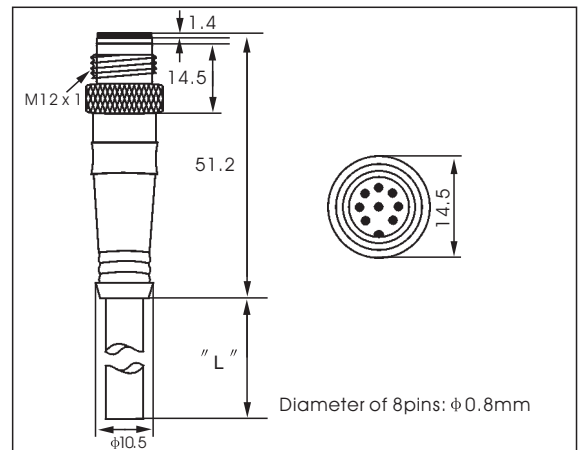
# EURO-STYLE QUICK DISCONNECT CABLES

## View



- Euro-style
- Screw locking with (auto) securing Safety nut
- With shielded cable

## Dimensional data



## Technical Data

Application Class: HNA acc. to DIN 40040  
 (-25 °C / +90 °C / ≤ 100%rF)

Moulded Body: TPU, self-extinguishing

Nominal Power: 8 poles=1.5A

Nominal Voltage: 3+4poles, 250VAC/300VDC  
 5+8poles, 30VAC/36VDC

Contact: CuZn, pre-nickeled and  
 0.8 microns gold-plated

Body: TPU, self-extinguishing

Securing Safety Nut: Nickel plated brass

Protection: IP 68

Insulation Group: C acc.to VDE 0110

Test Voltage: 3+4poles, 2.0 KV eff./60s.  
 5+8poles, 1.5 KV eff./60s.

Insulation Resistance: >10<sup>9</sup> Ω

CSA certified: 219967

## Catalog Number

Part-No	Poles	Face View male	Color Code	Conductors		Outer Jacket	
				Guage	Stranding	φ mm	Material
R-MS8TZV962	8		1=white 2=brown 3=green 4=yellow 5=grey 6=pink 7=blue 8=red	0.50mm <sup>2</sup>	65 x φ0.10	7.2	PVC
R-MS8TZU1022	8		1=white 2=brown 3=green 4=yellow 5=grey 6=pink 7=blue 8=red	0.50mm <sup>2</sup>	65 x φ0.10	7.2	PUR

Standard length: 2.0 m, 5.0 m, 7.5 m, 10.0 m. Other cable length or cable specifications on request.

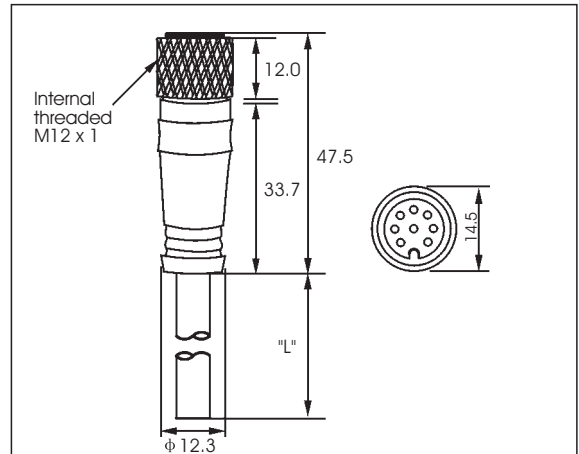
# EURO-STYLE QUICK DISCONNECT CABLES

## View



- Female Euro-style
- Screw locking with (auto) securing safety nut
- With shielded cable

## Dimensional data



## Technical Data

Application Class: HNA acc. to DIN 40040  
(-25°C / +90°C / ≤ 100%rF)

Moulded Body: TPU, self-extinguishing

Nominal Power: 8 poles=1.5A

Nominal Voltage: 3+4poles, 250VAC/300VDC  
5+8poles, 30VAC/36VDC

Contact: CuZn, brass, pre-nickeled and 0.3 microns gold-plated  
8poles=CuZn, pre-nickeled and 0.8 microns gold-plated

Body: TPU, self-extinguishing

Securing Safety Nut: Nickel plated brass

O-Ring: Viton

Protection: IP 68

Insulation Group: C acc.to VDE 0110

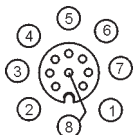
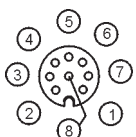
Test Voltage: 3+4poles, 2.0 KV eff./60s.  
5+8poles, 1.5 KV eff./60s.

Contact Resistance: ≤ 5mΩ

Insulation Resistance: >10<sup>9</sup>Ω

CSA certified: 219967

## Catalog Number

Part-No	Poles	Face View female	Color Code	Conductors		Outer Jacket	
				Guage	Stranding	φ mm	Material
R-FS8TZV962	8		1=white 2=brown 3=green 4=yellow 5=grey 6=pink 7=blue 8=red	0.50mm <sup>2</sup>	65 x φ0.10	7.2	PVC
R-FS8TZU1022	8		1=white 2=brown 3=green 4=yellow 5=grey 6=pink 7=blue 8=red	0.50mm <sup>2</sup>	65 x φ0.10	7.2	PUR

Standard length: 2.0 m, 5.0 m, 7.5 m, 10.0 m. Other cable length or cable specifications on request.

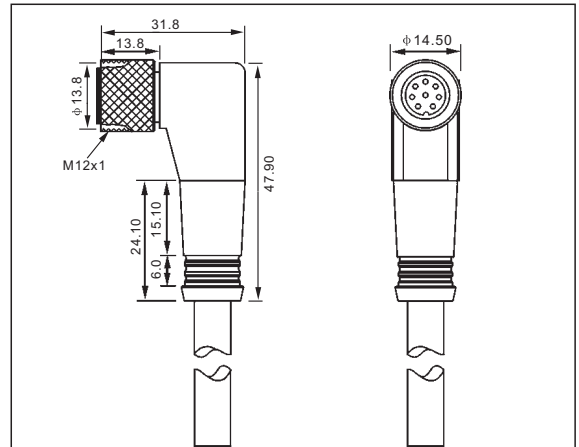
# EURO-STYLE QUICK DISCONNECT CABLES

## View



- Female Euro-style
- Right-angle
- Screw locking with (auto) securing Safety nut
- With shielded Cable

## Dimensional data



## Technical Data

Application Class: HNA acc. to DIN 40040  
 (-25 °C / +90 °C / ≤ 100%rF)

Moulded Body: TPU, self-extinguishing

Nominal Power: 8 poles=1.5A

Nominal Voltage: 3+4poles, 250VAC/300VDC  
 5+8poles, 30VAC/36VDC

Contact: CuZn, pre-nickeled and  
 0.8 microns gold-plated

Body: TPU, self-extinguishing

Securing Safety Nut: Nickel plated brass

Protection: IP 68

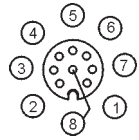
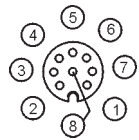
Insulation Group: C acc.to VDE 0110

Test Voltage: 3+4poles, 2.0 KV eff./60s.  
 5+8poles, 1.5 KV eff./60s.

Insulation Resistance: >10<sup>9</sup> Ω

CSA certified: 219967

## Catalog Number

Part-No	Poles	Face View female	Color Code	Conductors		Outer Jacket	
				Guage	Stranding	φ mm	Material
R-FA8TZV962	8		1=white 2=brown 3=green 4=yellow 5=grey 6=pink 7=blue 8=red	0.50mm <sup>2</sup>	65 x φ0.10	7.2	PVC
R-FA8TZU1022	8		1=white 2=brown 3=green 4=yellow 5=grey 6=pink 7=blue 8=red	0.50mm <sup>2</sup>	65 x φ0.10	7.2	PUR

Standard length: 2.0 m, 5.0 m, 7.5 m, 10.0 m. Other cable length or cable specifications on request.

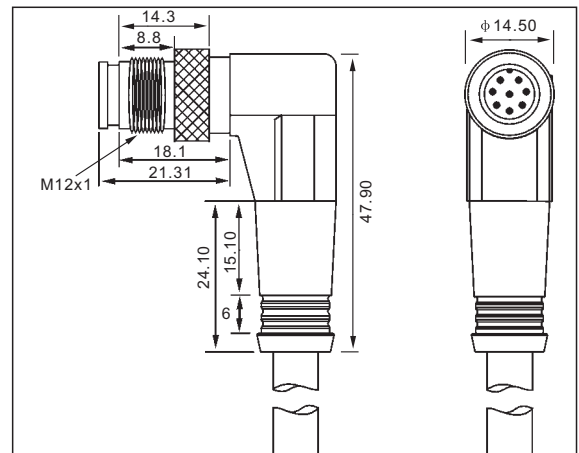
# EURO-STYLE QUICK DISCONNECT CABLES

## View



- Euro-style
- Right-angle style
- Screw locking with (auto) securing Safety nut
- With shielded Cable

## Dimensional data



## Technical Data

Application Class: HNA acc. to DIN 40040  
 (-25 °C / +90 °C / ≤ 100%rF)

Moulded Body: TPU, self-extinguishing

Nominal Power: 8 poles=1.5A

Nominal Voltage: 3+4poles, 250VAC/300VDC  
 5+8poles, 30VAC/36VDC

Contact: CuZn, pre-nickeled and  
 0.8 microns gold-plated

Body: TPU, self-extinguishing

Securing Safety Nut: Nickel plated brass

Protection: IP 68

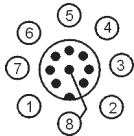
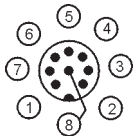
Insulation Group: C acc.to VDE 0110

Test Voltage: 3+4poles, 2.0 KV eff./60s.  
 5+8poles, 1.5 KV eff./60s.

Insulation Resistance: >10<sup>9</sup> Ω

CSA certified: 219967

## Catalog Number

Part-No	Poles	Face View male	Color Code	Conductors		Outer Jacket	
				Guage	Stranding	φ mm	Material
R-MA8TZV962	8		1=white 2=brown 3=green 4=yellow 5=grey 6=pink 7=blue 8=red	0.50mm <sup>2</sup>	65 x φ0.10	7.2	PVC
R-MA8TZU1022	8		1=white 2=brown 3=green 4=yellow 5=grey 6=pink 7=blue 8=red	0.50mm <sup>2</sup>	65 x φ0.10	7.2	PUR

Standard length: 2.0 m, 5.0 m, 7.5 m, 10.0 m. Other cable length or cable specifications on request.