

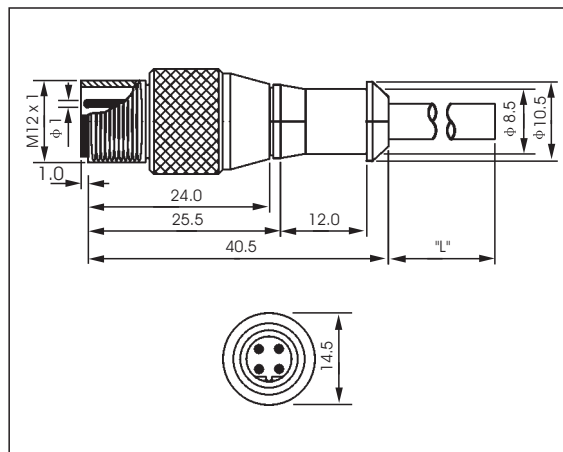
EURO-STYLE QUICK DISCONNECT CABLES

View



- B-type screw locking with(auto) securing safety nut
- With moulded cable
- PVC offers good resistance to oils and chemicals

Dimensional data



Technical Data

Application Class: HNA acc. to DIN 40040
(-25 °C / +110 °C / ≤ 75%rF)

Moulded Body: TPU, self-extinguishing

Nominal Power: 4A

Nominal Voltage: 250VAC/300VDC

Contact: CuZn, pre-nickelated and 0.8 microns gold-plated

Body: TPU, self-extinguishing

Securing Safety Nut: CuZn, brass, nickelated

Protection: IP 67

Insulation Group: C acc.to VDE 0110

Test Voltage: 2.0 KV eff./60s.

Insulation Resistance: >10⁹Ω

CSA certified: 219967

Catalog Number

Part-No	Poles	Face View male	Color Code	Conductors		Outer Jacket	
				Guage	Stranding	φ mm	Material
B-MS4/3TZV262	4		1=black 2=blue 3=- 4=green/yellow (GND)	0.34mm ²	42 x φ0.10	5.0	PVC
B-MS4/3TZV272/B	4		1=brown 2=blue 3=- 4=green/yellow	0.34mm ²	42 x φ0.10	5.0	PVC
B-MS4TZV282	4		1=brown 2=blue 3=black 4=green/yellow	0.34mm ²	42 x φ0.10	5.5	PVC
B-MS5TZV292	5		1=brown 2=white 3=blue 4=black 5=green/yellow	0.34mm ²	42 x φ0.10	6.0	PVC

Standard length: 2.0 m, 5.0 m, 7.5 m, 10.0 m. Other cable length or cable specifications on request.

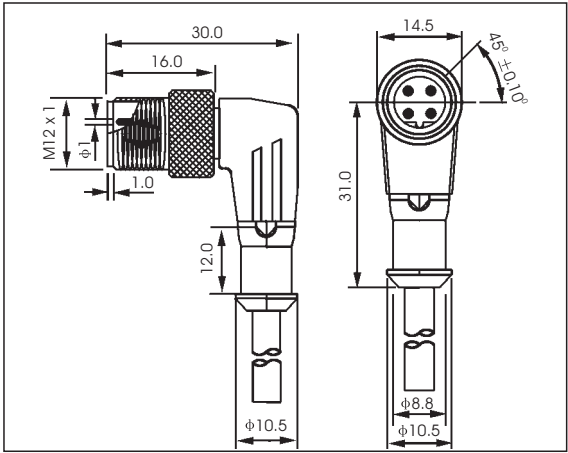
EURO-STYLE QUICK DISCONNECT CABLES

View



- B-type screw locking with (auto) securing safety nut
- With moulded cable
- PVC offers good resistance to oils and chemicals

Dimensional data



Technical Data

Application Class: HNA acc. to DIN 40040
 (-25 °C / +90 °C / ≤ 100%rF)

Moulded Body: TPU, self-extinguishing

Nominal Power: 4A

Nominal Voltage: 250VAC/300VDC

Contact: CuZn, pre-nickeled and 0.8 microns gold-plated

Body: TPU, self-extinguishing

Securing Safety Nut: CuZn, brass, nicked

Protection: IP 67

Insulation Group: C acc.to VDE 0110

Test Voltage: 2.0 KV eff./60s.

Insulation Resistance: >10⁹ Ω

CSA certified: 219967

Catalog Number

Part-No	Poles	Face View male	Color Code	Conductors		Outer Jacket	
				Guage	Stranding	φ mm	Material
B-MA4/3TZV262	4		1=black 2=blue 3=- 4=yellow/green (GND)	0.34mm ²	42 x φ 0.10	5.0	PVC
B-MA4/3TZV272/B	4		1=brown 2=blue 3=- 4=green/yellow	0.34mm ²	42 x φ 0.10	5.0	PVC
B-MA4TZV282	4		1=brown 2=blue 3=black 4=green/yellow	0.34mm ²	42 x φ 0.10	5.5	PVC
B-MA5TZV292	5		1=brown 2=white 3=blue 4=black 5=green/yellow	0.34mm ²	42 x φ 0.10	6.0	PVC

Standard length: 2.0 m, 5.0 m, 7.5 m, 10.0 m. Other cable length or cable specifications on request.

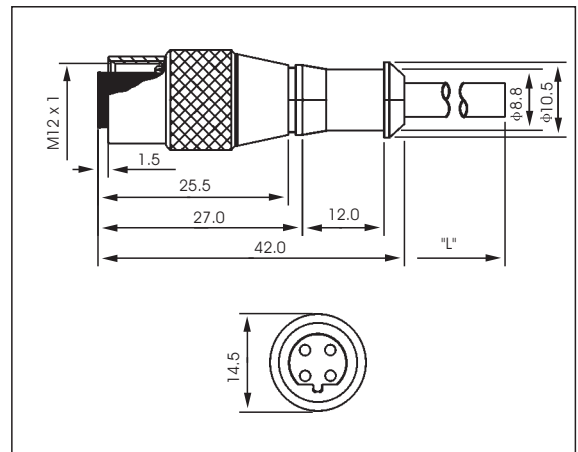
EURO-STYLE QUICK DISCONNECT CABLES

View



- Female B-type screw locking with (auto) securing safety nut
- With moulded cable
- PVC offers good resistance to oils and chemicals

Dimensional data



Technical Data

Application Class: HNA acc. to DIN 40040
 (-25 °C / +90 °C / ≤ 100%rF)

Moulded Body: TPU, self-extinguishing

Nominal Power: 4A

Nominal Voltage: 250VAC/300VDC

Contact: CuZn, pre-nickeled and 0.8 microns gold-plated

Body: TPU, self-extinguishing

Securing Safety Nut: CuZn, brass, nickeled

O-Ring: Viton

Protection: IP 67

Insulation Group: C acc.to VDE 0110

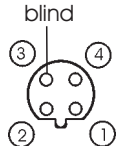
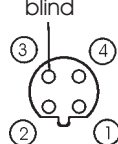
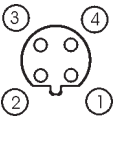
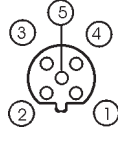
Test Voltage: 2.0 KV eff./60s.

Insulation Resistance: > 10⁹Ω

Contact Resistance: ≤ 5 mΩ

CSA certified: 219967

Catalog Number

Part-No	Poles	Face View female	Color Code	Conductors		Outer Jacket	
				Guage	Stranding	φ mm	Material
B-FS4/3TZV262	4	blind 	1=black 2=blue 3=- 4=yellow/green (GND)	0.34mm ²	42xφ0.10	5.0	PVC
B-FS4/3TZV272/B	4	blind 	1=brown 2=blue 3=- 4=green/yellow	0.34mm ²	42xφ0.10	5.0	PVC
B-FS4TZV282	4		1=brown 2=blue 3=black 4=green/yellow	0.34mm ²	42xφ0.10	5.5	PVC
B-FS5TZV292	5		1=brown 2=white 3=blue 4=black 5=green/yellow (GND)	0.34mm ²	42xφ0.10	6.0	PVC

Standard length: 2.0 m, 5.0 m, 7.5 m, 10.0 m. Other cable length or cable specifications on request.

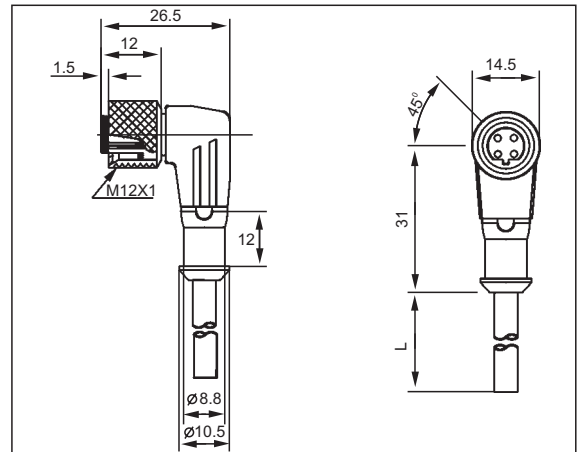
EURO-STYLE QUICK DISCONNECT CABLES

View



- Female B-type Screw locking with (auto) securing safety nut,
- With moulded cable
- PVC offers good resistance to oils and chemicals

Dimensional data



Technical Data

Application Class: HNA acc. to DIN 40040
(-25 °C / +90 °C / ≤ 100%rF)

Moulded Body: TPU, self-extinguishing

Nominal Power: 4A

Nominal Voltage: 250VAC/300VDC

Contact: CuZn, pre-nickel and 0.8 microns gold-plated

Body: TPU, self-extinguishing

Securing Safety Nut: CuZn, brass, nicked

O-Ring: Viton

Protection: IP 67

Insulation Group: C acc.to VDE 0110

Test Voltage: 2.0 KV eff./60s.

Insulation Resistance: > 10⁹ Ω

Contact Resistance: ≤ 5 m Ω

CSA certified: 219967

Catalog Number

Part-No	Poles	Face View female	Color Code	Conductors		Outer Jacket	
				Guage	Stranding	φ mm	Material
B-FA4/3TZV262	4	blind 	1=black 2=blue 3=- 4=yellow/green (GND)	0.34mm ²	42 x φ0.10	5.0	PVC
B-FA4/3TZV272/B	4	blind 	1=brown 2=blue 3=- 4=green/yellow	0.34mm ²	42 x φ0.10	5.0	PVC
B-FA4TZV282	4		1=brown 2=blue 3=black 4=green/yellow	0.34mm ²	42 x φ0.10	5.5	PVC
B-FA5TZV292	5		1=brown 2=white 3=blue 4=black 5=green/yellow (GND)	0.34mm ²	42 x φ0.10	6.0	PVC

Standard length: 2.0 m, 5.0 m, 7.5 m, 10.0 m. Other cable length or cable specifications on request.