

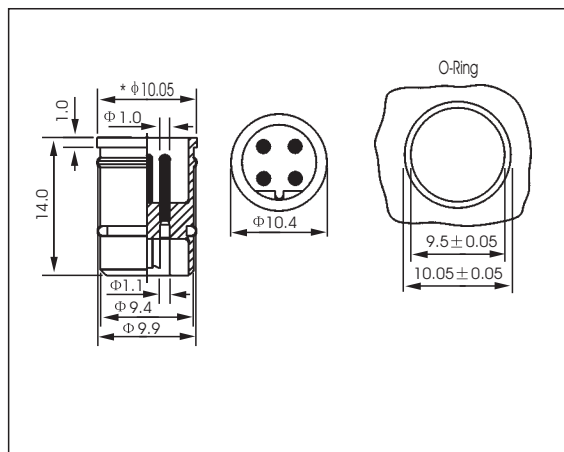
EURO-STYLE QUICK DISCONNECT RECEPTACLES

View



- B-type plug insert for proximity switch M12,
- "S" larger shaft diameter "L" with ventilation hole

Dimensional data



Technical Data

Application Class: HNA acc. to DIN 40040
(-25 °C / +110 °C / ≤ 75%rF)

Moulded Body: PA, self-extinguishing

Nominal Voltage: 60VAC/75VDC
250VAC/300VDC (Solder Contacts potted with epoxy)

Contact: CuZn, pre-nickel and 0.8 microns gold-plated

Nominal Power: 4A

Mode of Connection: Solder types

O-Ring: Viton

Max. Wire Section: Single conductor 0.75mm²
Stranded wire 0.50mm²

Test Voltage: 2.0 KV eff./60s.

Insulation Resistance: > 10⁹ Ω

CSA certified: 219967

Catalog Number

Part-No	Poles	Face View male	Shaft- φ mm	Ventilation hole φ mm
B-MS4			9.55mm/9.4mm	—
B-MS4S	4		10.05mm/9.9mm	—
B-MS4L			9.55mm/9.4mm	2.0mm
B-MS5			9.55mm/9.4mm	—
B-MS5S	5		10.05mm/9.9mm	—