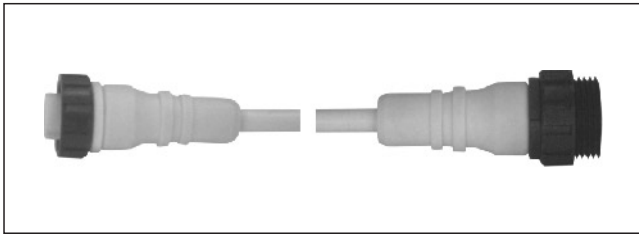


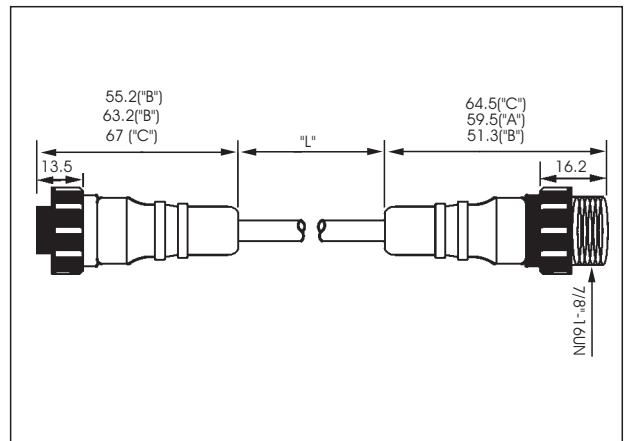
# CABLE EXTENSIONS, IP68 (M20 TO 20)

## View



- Mini-style (female) screw locking with (auto) securing safety nut
- Cable Extensions
- Orange
- Mini-style (male) with screw-lock and moulded cable

## Dimensional data



## Technical Data

Application Class: GNA acc. To DIN 40040  
(-40 °C / +90 °C / ≤ 100%rF)

Moulded Body: TPU self-extinguishing

Nominal Power: 12A

Nominal Voltage: 250VAC

Locknut: Plastic

Contact: CuZn, 3 microns silver-plated  
and 0.25 microns gold-plated

Insertion Force/Contact: ≥ 3N

Withdrawal Force/Contact: ≥ 3N

Protection: IP 68

Water Pressure Resistance: 10 bar

Insulation Group: C acc.to VDE 0110

Contact Resistance: ≤ 5m Ω

Test Voltage: 2+3poles, 2.0 KV eff./60s./

4+5poles, 1.5 KV eff./60s.

Insulation Resistance: >10<sup>9</sup> Ω

## Catalog Number

Part-No	Poles	Face View female/male	Color Code	Conductors		Outer Jacket	
				Guage	Stranding	φ mm	Material
Z-FS3PAV032+ Z-MS3PAV032	3		1=brown 2=black 3=blue	0.75mm <sup>2</sup>	22x φ 0.20	7.2	PVC
Z-FS4PAV422+ Z-MS4PAV422	4		1=brown 2=white 3=blue 4=black	0.50mm <sup>2</sup>	16x φ 0.20	6.3	PVC
Z-FS5PAV022+ Z-MS5PAV022	5		1=black 2=blue 3=yellow/green 4=brown 5=white	0.50mm <sup>2</sup>	16x φ 0.20	6.8	PVC
Z-FS6KAV442+ Z-MS6KAV442	6		1=black 2=blue 3=yellow 4=brown 5=white 6=green	0.50mm <sup>2</sup>	16x φ 0.20	6.8	PVC

Standard length: 0.3m, 0.6m, 1.0m, 1.5m, 2.0m. other cable length or cable specifications on request.