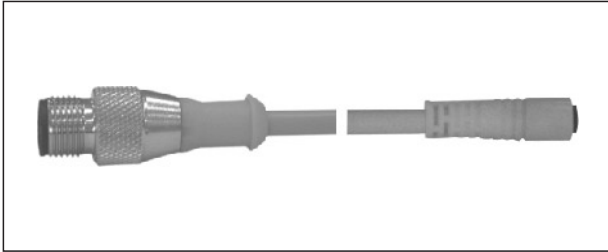


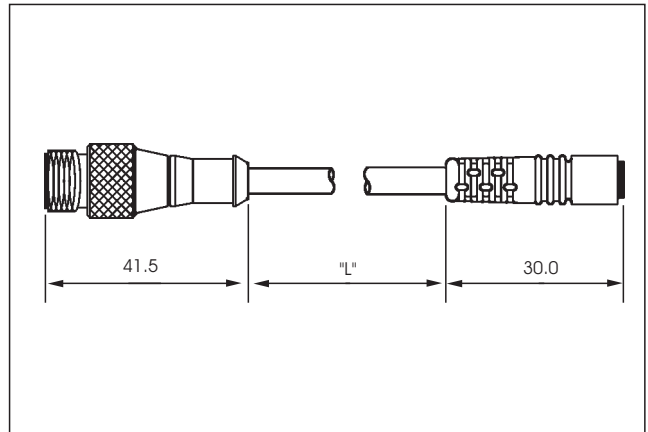
# CABLE EXTENSIONS, IP68 (M12 TO M8)

## View



- Cable Extensions
- Male euro-style (M12) screw locking with (auto) securing safety nut
- Female pico-style (M8) snap-in device

## Dimensional data



## Technical Data

Application Class: HNAacc to 40040(-25°C/+90°C<100%rF)  
 Moulded Body: TPU self-extinguishing  
 PUR(Polyurethane)  
 Contact: CuZn, pre-nickel and 0.8microns gold-plated  
 Insert: PUR(Plugs)  
 Nominal Power: 4A  
 Nominal Voltage: 60VAC/75VDC  
 Locknut: Nickel plated brass

Protection: IP68,NEMA6P  
 (only in fully locked position)  
 Insertion Force(contact):  $\leq 2N$  (.45 LBS)  
 Withdrawal Force(contact):  $\geq 5N$  (.11 LBS)  
 Shock: IEC-68-2-27  
 Vibration: IEC-68-2-6  
 Contact Resistance:  $\leq 5m\Omega$   
 Insulation Resistance:  $> 10^9\Omega$   
 CSA certified: 219967

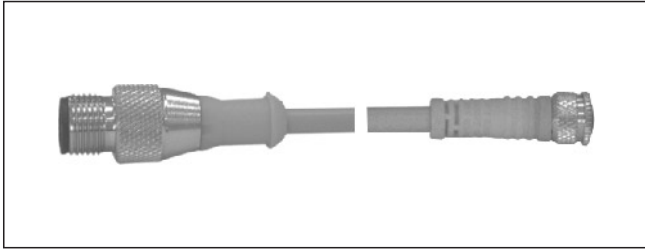
## Catalog Number

Part-No	Poles	Face View male/female	Color Code	Conductors		Outer Jacket	
				Guage	Stranding	$\phi$ mm	Material
R-MS3TZV062 + C-FS3NZV062	3		1=brown 3=blue 4=black	0.34mm <sup>2</sup>	42x $\phi$ 0.10	5.0	PVC
R-MS4/3TZV062 + C-FS3NZV062	3		1=brown 2= - 3=blue 4=black	0.34mm <sup>2</sup>	42x $\phi$ 0.10	5.0	PVC

Standard length: 0.3m, 0.6m, 1.0m, 1.5m, 2.0m. other cable length or cable specifications on request.

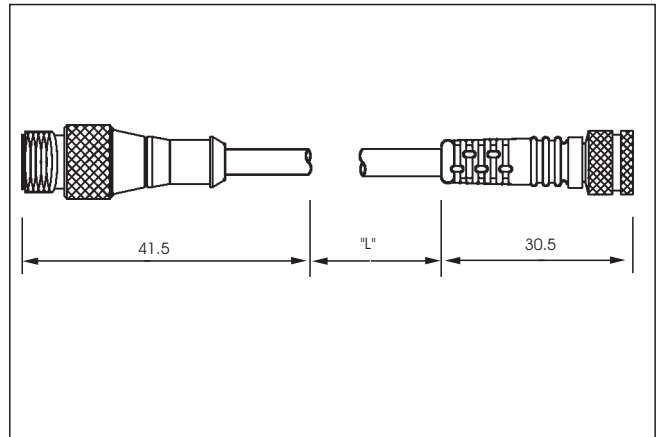
# CABLE EXTENSIONS, IP68 (M12 TO M8)

## View



- Cable Extensions
- Male euro-style (M12) screw locking with (auto) securing safety nut
- Female pico-style (M8) screw locking with (auto) securing safety nut

## Dimensional data



## Technical Data

Application Class: HNA acc to 40040 (-25°C/+90°C<100%rF)  
 Moulded Body: TPU self-extinguishing  
 Nominal Power: 4A  
 Nominal Voltage: 60VAC/75VDC  
 Contact: CuZn, pre-nickel and 0.8microns gold-plated

Securing Safety Nut: Nickel plated brass  
 Body: TPU, self-extinguishing  
 Protection: IP68  
 Insulation Group: C acc. to VDE 0110  
 Insulation Resistance: >10<sup>9</sup> Ω  
 CSA certified: 219967

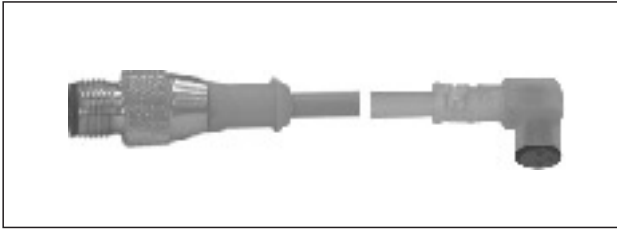
## Catalog Number

Part-No	Poles	Face View male/female	Color Code	Conductors		Outer Jacket	
				Guage	Stranding	φ mm	Material
R-MS3TZV062 + C-FS3TZV062	3		1=brown 3=blue 4=black	0.34mm <sup>2</sup>	42x φ 0.10	5.0	PVC
R-MS4/3TZV062 + C-FS3TZV062	3		1=brown 2=- 3=blue 4=black	0.34mm <sup>2</sup>	42x φ 0.10	5.0	PVC

Standard length: 0.3m, 0.6m, 1.0m, 1.5m, 2.0m. other cable length or cable specifications on request.

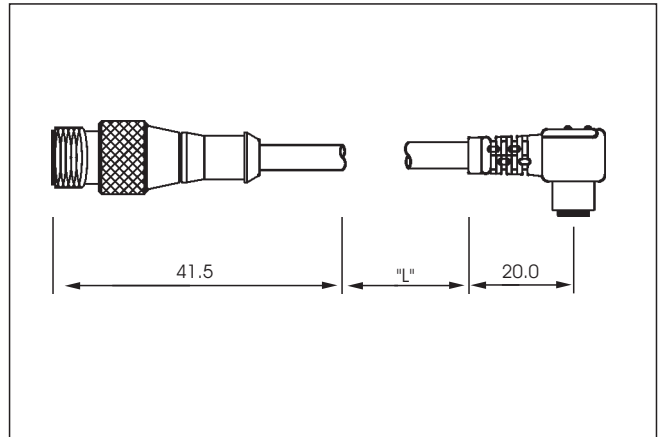
# CABLE EXTENSIONS, IP68 (M12 TO M8)

## View



- Cable Extensions
- Male euro-style (M12) screw locking with (auto) securing safety nut
- Female pico-style (M8) snap-in device right angle style with built-in LED-operation and function indicators

## Dimensional data



## Technical Data

Application Class: HNA acc to 40040 (-25°C/+90°C<100%rF)  
 Moulded Body: TPU self-extinguishing  
 Nominal Power: 4A  
 Nominal Voltage: 10-30 VDC  
 Contact: CuZn, pre-nickel and 0.8microns gold-plated

Securing Safety Nut: Nickel plated brass  
 Body: TPU, self-extinguishing  
 Protection: IP 68  
 Insulation Group: C acc.to VDE 0110  
 Insulation Resistance: >10<sup>9</sup> Ω

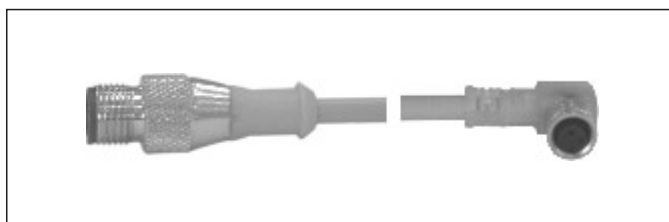
## Catalog Number

Part-No	Poles	Face View male/female	Color Code	Conductors		Outer Jacket		Circuit LED-indicator
				Guage	Stranding	φ mm	Material	
R-MS3TZV062 + C-FA3NPV062	3		1=brown 3=blue 4=black	0.34mm <sup>2</sup>	42x φ 0.10	5.0	PVC	<p>pnp-normally open =yellow-green</p> <p>1 - +brown 4 - black 3 - -blue</p>
R-MS4/3TZV062 + C-FA3NPV062	3		1=brown 2= - 3=blue 4=black	0.34mm <sup>2</sup>	42x φ 0.10	5.0	PVC	<p>pnp-normally open =yellow-green</p> <p>1 - +brown 4 - black 3 - -blue</p>

Standard length: 0.3m, 0.6m, 1.0m, 1.5m, 2.0m. other cable length or cable specifications on request.

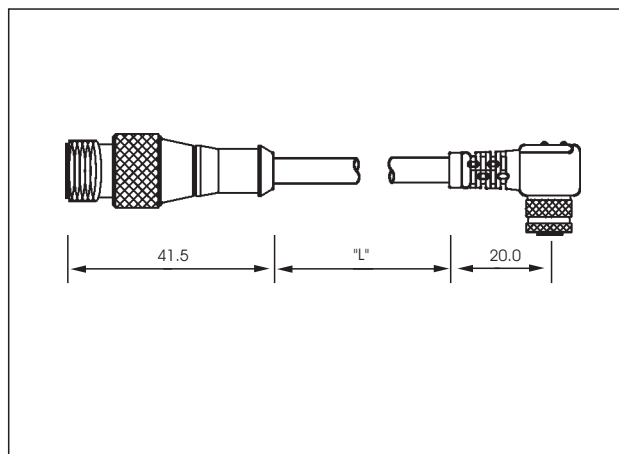
# CABLE EXTENSIONS,IP68(M12 TO M8)

## View



- Cable Extensions
- Male euro-style(M12) screw locking with(auto)securing safety nut
- Female pico-style (M8) right angle style screw locking with(auto)securing safety nut with built-in LED-operation and function indicators

## Dimensional data



## Technical Data

Application Class: HNE acc.to DIN 40040  
(-25 °C / +90 °C / ≤ 75%rF)

Moulded Body: TPU self-extinguishing

Nominal Power: 4A

Nominal Voltage: 10-30 VDC

Contact: CuZn,pre-nickelated and  
0.8microns gold-plated

Body: TPU,self-extinguishing

Securing Safety Nut: Nickel plated brass

Protection: IP 68

Insulation Group: C acc.to VDE 0110

Insulation Resistance: >10<sup>9</sup> Ω

## Catalog Number

Part-No	Poles	Face View male/female	Color Code	Conductors		Outer Jacket		Circuit LED-indicator
				Guage	Stranding	φ mm	Material	
R-MS3TZV062 + C-FA3TPV062	3		1=brown 3=blue 4=black	0.34mm <sup>2</sup>	42x φ 0.10	5.0	PVC	<p>pn-p-normally open =yellow-green</p>
R-MS4/3TZV062 + C-FA3TPV062	3		1=brown 2=- 3=blue 4=black	0.34mm <sup>2</sup>	42x φ 0.10	5.0	PVC	<p>pn-p-normally open =yellow-green</p>

Standard length: 0.3m, 0.6m, 1.0m, 1.5m, 2.0m. other cable length or cable specifications on request.