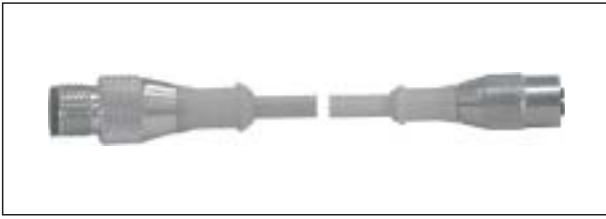


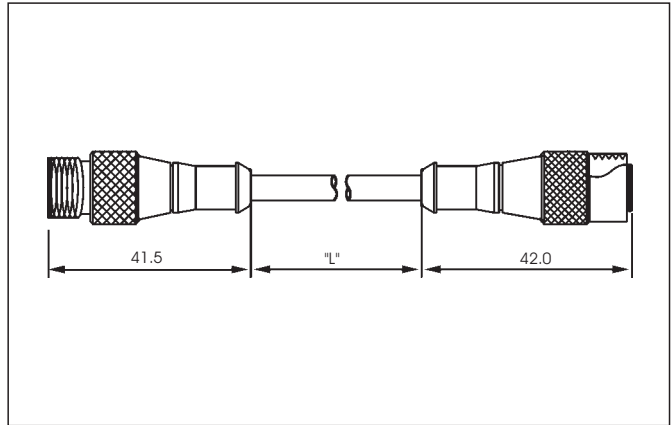
CABLE EXTENSIONS, IP68 (M12 TO M12)

View



- Cable Extensions
- Male euro-style (M12) screw locking with (auto) securing safety nut
- Female euro-style (M12) Screw locking with (auto) securing safety nut

Dimensional data



Technical Data

Application Class: HNA acc.to DIN 40040

(-25 °C / +90 °C / <100%rF)

Body: TPU, self-extinguishing
PUR, (Polyurethane)

Nominal Power: 4A

Nominal Voltage: 250VAC/300VDC

Securing Safety Nut: Nickel plated brass

Protection: IP68, NEMA 6P
(only in full locked position)

Shock: IEC-68-2-27

Contact Resistance: $\leq 5m\ \Omega$

Dielectric Withstanding

Voltage: 2KVAC RMS/60sec

Insulation Resistance: $>10^9\ \Omega$

CSA certified: 219967

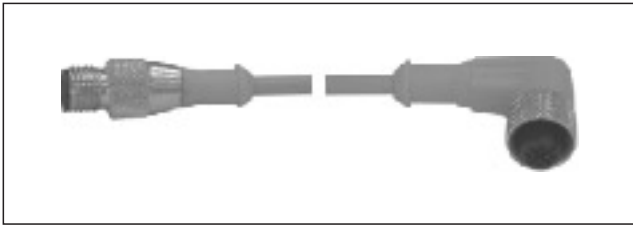
Catalog Number

Part-No	Poles	Face View male/female	Color Code	Conductors		Outer Jacket	
				Guage	Stranding	ϕ mm	Material
R-MS3TZV062 + R-FS3TZV062	3		1=brown 3=blue 4=black	0.34mm ²	42x ϕ 0.10	5.0	PVC
R-MS3TZV062 + R-FS4/3TZV062	3		1=brown 2= - 3=blue 4=black	0.34mm ²	42x ϕ 0.10	5.0	PVC
R-MS4/3TZV062 + R-FS4/3TZV062	3		1=brown 2= - 3=blue 4=black	0.34mm ²	42x ϕ 0.10	5.0	PVC
R-MS4TZV072 + R-FS4TZV072	4		1=brown 2=white 3=blue 4=black	0.25mm ²	32x ϕ 0.10	5.0	PVC
R-MS5TZU822 + R-FS5TZU822	5		1=brown 2=white 3=blue 4=black 5=gray	0.50mm ²	16x ϕ 0.20	6.0	PUR

Standard length: 0.3m, 0.6m, 1.0m, 1.5m, 2.0m. other cable length or cable specifications on request.

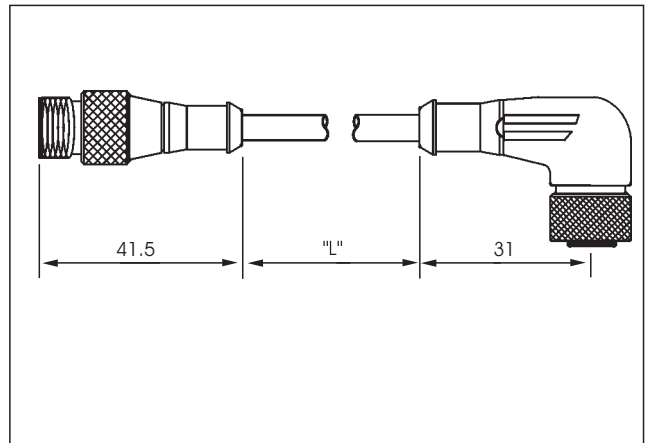
CABLE EXTENSIONS, IP68 (M12 TO M12)

View



- Cable Extensions
- Male euro-style (M12) screw locking with (auto) securing safety nut
- Female plug (M12) right angle style screw locking with (auto) securing safety nut

Dimensional data



Technical Data

Application Class: HNA acc. to DIN 40040
 (-25 °C / +90 °C / ≤ 100%rF)

Body: TPU, self-extinguishing

Nominal Power: 4A

Nominal Voltage: 250VAC/300VDC

Securing Safety Nut: Nickel plated brass

Protection: IP68, NEMA 6P
 (only in full locked position)

Shock: IEC-68-2-27

Vibration: IEC-68-2-6

Contact Resistance: ≤ 5m Ω

Dielectric Withstanding

Voltage: 2KVAC RMS/60sec

Insulation Resistance: > 10⁹ Ω

CSA certified: 219967

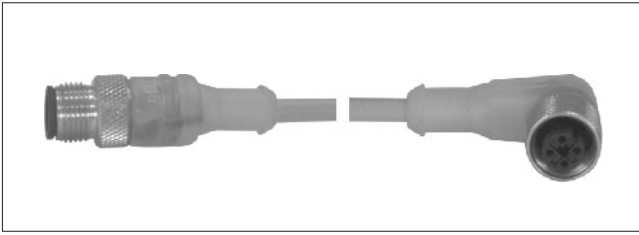
Catalog Number

Part-No	Poles	Face View male/female	Color Code	Conductors		Outer Jacket	
				Guage	Stranding	φ mm	Material
R-MS3TZY042 + R-FA3TZY042	3		1=brown 3=blue 4=black	0.34mm ²	42x φ 0.10	5.0	PUR/PVC
R-MS3TZV062 + R-FA4/3TZV062	3		1=brown 2= - 3=blue 4=black	0.34mm ²	42x φ 0.10	5.0	PVC
R-MS4/3TZV062 + R-FA4/3TZV062	3		1=brown 2= - 3=blue 4=black	0.34mm ²	42x φ 0.10	5.0	PVC
R-MS4TZY872 + R-FA4TZY872	4		1=brown 2=white 3=blue 4=black	0.25mm ²	32x φ 0.10	5.0	PUR/PVC
R-MS4TZV072 + R-FA4TZV072				0.25mm ²	32x φ 0.10		PVC
R-MS5TZU822 + R-FA5TZU822	5		1=brown 2=white 3=blue 4=black 5=gray	0.50mm ²	16x φ 0.20	6.0	PUR

Standard length: 0.3m, 0.6m, 1.0m, 1.5m, 2.0m. other cable length or cable specifications on request.

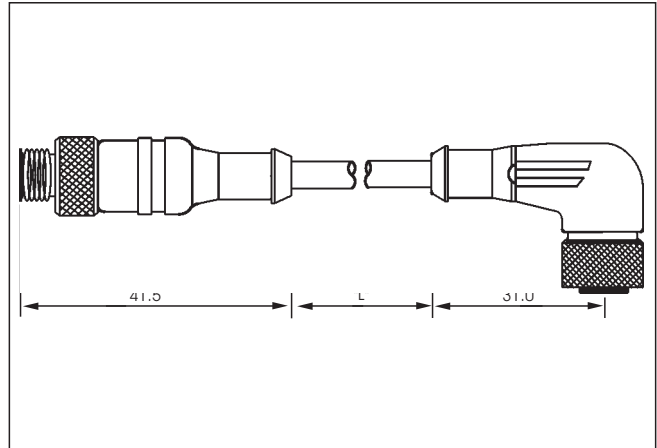
CABLE EXTENSIONS, IP68(M12 TO M12)

View



- Cable Extensions
- Male euro-style (M12) screw locking with (auto) securing safety nut
- Female euro-style (M12) right angle style screw locking with (auto) securing safety nut with built-in LED-operation and function indicators

Dimensional data



Technical Data

Application Class: HNA acc.to DIN 40040
(-25 °C / +90 °C / ≤ 100%rF)

Body: TPU, self-extinguishing
PUR (Polyurethane)

Nominal Power: 4A

Nominal Voltage: 10-30 VDC

Securing Safety Nut: Nickel plated brass

Protection: IP68, NEMA 6P
(only in fully locked position)

Insertion Force (Contact): ≤ 2N (.45 LBS)

Withdrawal Force (Contact): ≥ 5N (.11 LBS)

Shock: IEC-68-2-27

Vibration: IEC-68-2-6

Contact Resistance: ≤ 5m Ω

Insulation Resistance: > 10⁹ Ω

Catalog Number

Part-No	Poles	Face view male/female	Color code	Conductors		Outer Jacket		Circuit LED-indicator
				Guage	Stranding	φ mm	Material	
R-MS3TPY042 + R-FA3TPY042A	3		1=brown 3=blue 4=black	0.34mm ²	42x φ 0.10	5.0	PUR/PVC	A type Pnp-normally open =yellow-green
R-MS3TPV062 + R-FA4/3TPV062A	3		1=brown 2=- 3=blue 4=black	0.34mm ²	42x φ 0.10	5.0	PVC	
R-MS4/3TPV062 + R-FA4/3TPV062A	3		1=brown 2=- 3=blue 4=black	0.34mm ²	42x φ 0.10	5.0	PVC	
R-MS4TPY872 + R-FA4TPY872F	4		1=brown 2=white 3=blue 4=black	0.25mm ²	32x φ 0.10	5.0	PUR/PVC	F type pnp-normally closed/open =yellow-green
R-MS4TPV072 + R-FA4TPV072F							PVC	
R-MS4TPY872 + R-FA4TPY872P	4		1=brown 2=white 3=blue 4=black	0.25mm ²	32x φ 0.10	5.0	PUR/PVC	
R-MS4TPV072 + R-FA4TPV072P							PVC	

Standard length: 0.3m, 0.6m, 1.0m, 1.5m, 2.0m. other cable length or cable specifications on request.