

PART B-01 ~ B-13

Diameter	● Shielded ○ non-Shielded
Switching Distance Sn mm	
Housing Material	● With LED ○ Without LED
Dimensions (unit: mm)	
Operating Voltage	10-30VDC or 5-36V
Ripple	<10%
No Load Current	<10mA
Max. Load Current	200mA
Leakage Current	<0.01mA
Surge Current	-
Min. Load Current	-
Voltage Drop	<1.5V
Switching Frequency	2KHZ
Response Time	0.1ms/0.1ms
Switching Hysteresis	<15%(Sr)
Repeat Accuracy	<1.0%(Sr)
Protection Category	IP67
Operating Temperature	-25°C - +70°C
Temperature Drift	<10%(Sr)
Short Circuit Protection	YES
Overload Trip Point	220mA
Time Delay Before Availability	<10ms
EMC	RFI>3V/m / EFT>1KV / ESD>4KV (contact)
Shock / Vibration	IEC 60947-5-2, Part 7.4.1 / IEC 60947-5-2, Part 7.4.2
Material Active Face	POM
DC 3 wire 10-30V NPN N.O.	FCU1-D040.8N-A3U2T 1
DC 3 wire 10-30V NPN N.C.	FCU1-D040.8N-B3U2T 2
DC 3 wire 10-30V PNP N.O.	FCU1-D040.8P-A3U2T 3
DC 3 wire 10-30V PNP N.C.	FCU1-D040.8P-B3U2T 4
DC 4 wire 10-30V Changeover PNP (N.O. & N.C.)	
DC 4 wire 10-30V Changeover NPN (N.O. & N.C.)	
DC 2 wire 10-60V N.O.	
DC 2 wire 10-60V N.C.	
DC 3 wire 10-55v NPN N.O. or NAMUR	<u>FCU1-D040.8NUT</u> 21
DC 3 wire 10-55v NPN N.C.	
DC 3 wire 10-55v PNP N.O.	
DC 3 wire 10-55v PNP N.C.	
DC 3 wire 5-36V NPN N.O.	ICU1-D040.8N-A3U2T 1
DC 3 wire 5-36V NPN N.C.	ICU1-D040.8N-B3U2T 2
DC 3 wire 5-36V PNP N.O.	ICU1-D040.8P-A3U2T 3
DC 3 wire 5-36V PNP N.C.	ICU1-D040.8P-B3U2T 4
DC 4 wire 5-36V Changeover PNP (N.O & N.C.)	
DC 4 wire 5-36V Changeover NPN (N.O & N.C.)	
Remark	NAMUR type specifications see page 23.
Cable 2M (PVC)	2.7 φ3x0.15
Weight	approx.25 g

SIDE SENSING DC INDUCTIVE PROXIMITY SWITCH

φ4	
●	
0.8 mm	
stainless steel	
●	
10-30VDC or 5-36V	
<10%	
<10mA	
200mA	
<0.01mA	
-	
-	
<1.5V	
2KHZ	
0.1ms/0.1ms	
<15%(Sr)	
<1.0%(Sr)	
IP67	
-25°C - +70°C	
<10%(Sr)	
YES	
220mA	
<10ms	
RFI>3V/m / EFT>1KV / ESD>4KV (contact)	
IEC 60947-5-2, Part 7.4.1 / IEC 60947-5-2, Part 7.4.2	
POM	
FCU1-D040.8N-A3U2T	1
FCU1-D040.8N-B3U2T	2
FCU1-D040.8P-A3U2T	3
FCU1-D040.8P-B3U2T	4
<u>FCU1-D040.8NUT</u>	21
ICU1-D040.8N-A3U2T	1
ICU1-D040.8N-B3U2T	2
ICU1-D040.8P-A3U2T	3
ICU1-D040.8P-B3U2T	4
Remark	NAMUR type specifications see page 23.
2.7 φ3x0.15	
approx.25 g	

φ4	
●	
0.8 mm	
stainless steel	
●	
10-30VDC or 5-36V	
<10%	
<10mA	
200mA	
<0.01mA	
-	
-	
<1.5V	
2KHZ	
0.1ms/0.1ms	
<15%(Sr)	
<1.0%(Sr)	
IP67	
-25°C - +70°C	
<10%(Sr)	
YES	
220mA	
<10ms	
RFI>3V/m / EFT>1KV / ESD>4KV (contact)	
IEC 60947-5-2, Part 7.4.1 / IEC 60947-5-2, Part 7.4.2	
POM	
FCU1-D040.8N-A3U0.2T/P5	25
FCU1-D040.8N-B3U0.2T/P5	26
FCU1-D040.8P-A3U0.2T/P5	27
FCU1-D040.8P-B3U0.2T/P5	28
<u>FCU1-D040.8NUT/P5</u>	21
ICU1-D040.8N-A3U0.2T/P5	25
ICU1-D040.8N-B3U0.2T/P5	26
ICU1-D040.8P-A3U0.2T/P5	27
ICU1-D040.8P-B3U0.2T/P5	28
Remark	NAMUR type specifications see page 23.
2.7 φ3x0.15	
approx.25 g	Approx.26 g

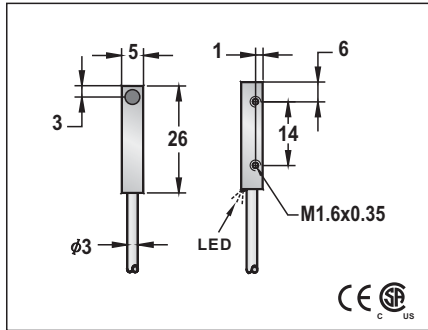
φ4	
●	
0.8 mm	
stainless steel	
●	
10-30VDC or 5-36V	
<10%	
<10mA	
200mA	
<0.01mA	
-	
-	
<1.5V	
2KHZ	
0.1ms/0.1ms	
<15%(Sr)	
<1.0%(Sr)	
IP67	
-25°C - +70°C	
<10%(Sr)	
YES	
220mA	
<10ms	
RFI>3V/m / EFT>1KV / ESD>4KV (contact)	
IEC 60947-5-2, Part 7.4.1 / IEC 60947-5-2, Part 7.4.2	
POM	
FCU1-D040.8N-A3U0.2T/SN5	25
FCU1-D040.8N-B3U0.2T/SN5	26
FCU1-D040.8P-A3U0.2T/SN5	27
FCU1-D040.8P-B3U0.2T/SN5	28
<u>FCU1-D040.8NUT/SN5</u>	21
ICU1-D040.8N-A3U0.2T/SN5	25
ICU1-D040.8N-B3U0.2T/SN5	26
ICU1-D040.8P-A3U0.2T/SN5	27
ICU1-D040.8P-B3U0.2T/SN5	28
Remark	NAMUR type specifications see page 23.
2.7 φ3x0.15	
approx.25 g	Approx.26 g

Note:
Coming Soon : Part numbers with underline

DC INDUCTIVE PROXIMITY SWITCH SQUARE TYPE

DC INDUCTIVE PROXIMITY SWITCH SQUARE TYPE

Q5x5x26
●
0.8 mm
die-cast
●



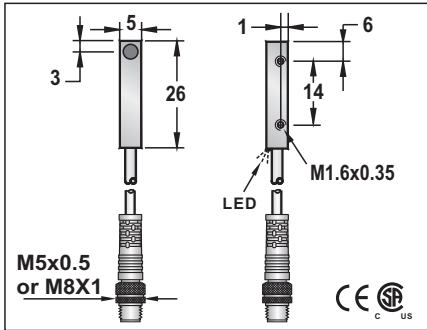
10-30VDC or 5-36VDC	
<10%	
<10mA	
200mA	
<0.01mA	
-	
-	
<1.5V	
2KHZ	
0.1ms/0.1ms	
<15%(Sr)	
<1.0%(Sr)	
IP67	
-25°C - +70°C	
<10%(Sr)	
YES	
220mA	
<10ms	
RFI>3V/m / EFT>1KV / ESD>4KV (contact)	
IEC 60947-5-2,Part 7.4.1 / IEC 60947-5-2,Part 7.4.2	
POM	

FQM1-550.8N-A3U2T	1
FQM1-550.8N-B3U2T	2
FQM1-550.8P-A3U2T	3
FQM1-550.8P-B3U2T	4
FQM1-550.8NUT	21
IQM1-550.8N-A3U2T	1
IQM1-550.8N-B3U2T	2
IQM1-550.8P-A3U2T	3
IQM1-550.8P-B3U2T	4

NAMUR type specifications see page 23.

3.0 φ3X0.15
Approx.30 g

Q5x5x26
●
0.8 mm
die-cast
●



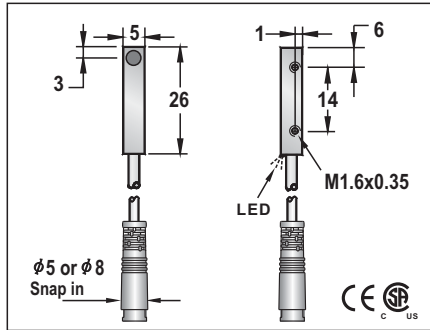
10-30VDC or 5-36VDC	
<10%	
<10mA	
200mA	
<0.01mA	
-	
-	
<1.5V	
2KHZ	
0.1ms/0.1ms	
<15%(Sr)	
<1.0%(Sr)	
IP67	
-25°C - +70°C	
<10%(Sr)	
YES	
220mA	
<10ms	
RFI>3V/m / EFT>1KV / ESD>4KV (contact)	
IEC 60947-5-2,Part 7.4.1 / IEC 60947-5-2,Part 7.4.2	
POM	

FQM1-550.8N-A3U0.2T/P5	25	FQM1-550.8N-A3U0.2T/P8	29
FQM1-550.8N-B3U0.2T/P5	26	FQM1-550.8N-B3U0.2T/P8	30
FQM1-550.8P-A3U0.2T/P5	27	FQM1-550.8P-A3U0.2T/P8	31
FQM1-550.8P-B3U0.2T/P5	28	FQM1-550.8P-B3U0.2T/P8	32
FQM1-550.8NUT/P5	21	FQM1-550.8NUT/P8	21
IQM1-550.8N-A3U0.2T/P5	25	IQM1-550.8N-A3U0.2T/P8	29
IQM1-550.8N-B3U0.2T/P5	26	IQM1-550.8N-B3U0.2T/P8	30
IQM1-550.8P-A3U0.2T/P5	27	IQM1-550.8P-A3U0.2T/P8	31
IQM1-550.8P-B3U0.2T/P5	28	IQM1-550.8P-B3U0.2T/P8	32

FQM***/P5
 └─ M5 Pigtail mode
 FQM***/P8
 └─ M8 Pigtail mode

3.0 φ3X0.15	
Approx.30 g	Approx.31 g

Q5x5x26
●
0.8 mm
die-cast
●



10-30VDC or 5-36VDC	
<10%	
<10mA	
200mA	
<0.01mA	
-	
-	
<1.5V	
2KHZ	
0.1ms/0.1ms	
<15%(Sr)	
<1.0%(Sr)	
IP67	
-25°C - +70°C	
<10%(Sr)	
YES	
220mA	
<10ms	
RFI>3V/m / EFT>1KV / ESD>4KV (contact)	
IEC 60947-5-2,Part 7.4.1 / IEC 60947-5-2,Part 7.4.2	
POM	

FQM1-550.8N-A3U0.2T/SN5	25	FQM1-550.8N-A3U0.2T/SN8	29
FQM1-550.8N-B3U0.2T/SN5	26	FQM1-550.8N-B3U0.2T/SN8	30
FQM1-550.8P-A3U0.2T/SN5	27	FQM1-550.8P-A3U0.2T/SN8	31
FQM1-550.8P-B3U0.2T/SN5	28	FQM1-550.8P-B3U0.2T/SN8	32
FQM1-550.8NUT/SN5	21	FQM1-550.8NUT/SN8	21
IQM1-550.8N-A3U0.2T/SN5	25	IQM1-550.8N-A3U0.2T/SN8	29
IQM1-550.8N-B3U0.2T/SN5	26	IQM1-550.8N-B3U0.2T/SN8	30
IQM1-550.8P-A3U0.2T/SN5	27	IQM1-550.8P-A3U0.2T/SN8	31
IQM1-550.8P-B3U0.2T/SN5	28	IQM1-550.8P-B3U0.2T/SN8	32

FQM***/SN5
 └─ φ 5 Pigtail mode
 FQM***/SN8
 └─ φ 8 Pigtail mode

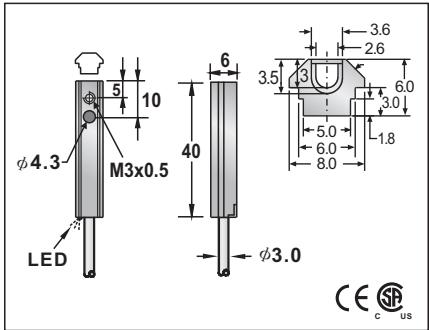
3.0 φ3X0.15	
Approx.30 g	Approx.31 g

Note:
 Coming Soon : Part numbers with underline

DC INDUCTIVE PROXIMITY SWITCH SQUARE TYPE

DC INDUCTIVE PROXIMITY SWITCH SQUARE TYPE

Q5x8x40
●
0.8 mm
die-cast
●

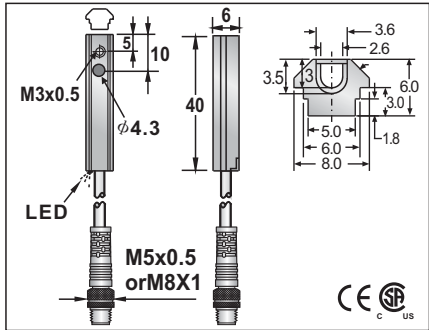


10-30VDC or 5-36VDC	
<10%	
<10mA	
200mA	
<0.01mA	
-	
-	
<1.5V	
2KHZ	
0.1ms/0.1ms	
<15%(Sr)	
<1.0%(Sr)	
IP67	
-25°C - +70°C	
<10%(Sr)	
YES	
220mA	
<10ms	
RFI>3V/m / EFT>1KV / ESD>4KV (contact)	
IEC 60947-5-2,Part 7.4.1 / IEC 60947-5-2,Part 7.4.2	
POM	

FQM1-580.8N-A3U2T	1
FQM1-580.8N-B3U2T	2
FQM1-580.8P-A3U2T	3
FQM1-580.8P-B3U2T	4
FQM1-580.8NUT	21
IQM1-580.8N-A3U2T	1
IQM1-580.8N-B3U2T	2
IQM1-580.8P-A3U2T	3
IQM1-580.8P-B3U2T	4

3 φ 3x0.15	
Approx.32 g	

Q5x8x40
●
0.8 mm
die-cast
●

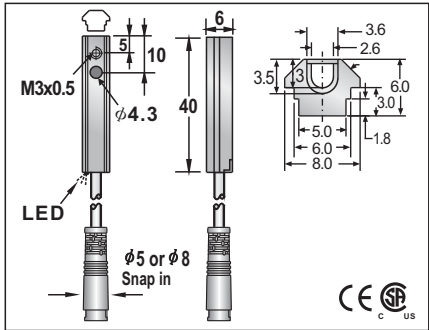


10-30VDC or 5-36VDC	
<10%	
<10mA	
200mA	
<0.01mA	
-	
-	
<1.5V	
2KHZ	
0.1ms/0.1ms	
<15%(Sr)	
<1.0%(Sr)	
IP67	
-25°C - +70°C	
<10%(Sr)	
YES	
220mA	
<10ms	
RFI>3V/m / EFT>1KV / ESD>4KV (contact)	
IEC 60947-5-2,Part 7.4.1 / IEC 60947-5-2,Part 7.4.2	
POM	

FQM1-580.8N-A3U0.2T/P5	25	FQM1-580.8N-A3U0.2T/P8	29
FQM1-580.8N-B3U0.2T/P5	26	FQM1-580.8N-B3U0.2T/P8	30
FQM1-580.8P-A3U0.2T/P5	27	FQM1-580.8P-A3U0.2T/P8	31
FQM1-580.8P-B3U0.2T/P5	28	FQM1-580.8P-B3U0.2T/P8	32
FQM1-580.8NUT/P5	21	FQM1-580.8NUT/P8	21
IQM1-580.8N-A3U0.2T/P5	25	IQM1-580.8N-A3U0.2T/P8	29
IQM1-580.8N-B3U0.2T/P5	26	IQM1-580.8N-B3U0.2T/P8	30
IQM1-580.8P-A3U0.2T/P5	27	IQM1-580.8P-A3U0.2T/P8	31
IQM1-580.8P-B3U0.2T/P5	28	IQM1-580.8P-B3U0.2T/P8	32

FQM***/P5	└ M5 Pigtail mode
FQM***/P8	└ M8 Pigtail mode
3.0 φ 3X0.15	
Approx.30 g	Approx.31 g

Q5x8x40
●
0.8 mm
die-cast
●



10-30VDC or 5-36VDC	
<10%	
<10mA	
200mA	
<0.01mA	
-	
-	
<1.5V	
2KHZ	
0.1ms/0.1ms	
<15%(Sr)	
<1.0%(Sr)	
IP67	
-25°C - +70°C	
<10%(Sr)	
YES	
220mA	
<10ms	
RFI>3V/m / EFT>1KV / ESD>4KV (contact)	
IEC 60947-5-2,Part 7.4.1 / IEC 60947-5-2,Part 7.4.2	
POM	

FQM1-580.8N-A3U0.2T/SN5	25	FQM1-580.8N-A3U0.2T/SN8	29
FQM1-580.8N-B3U0.2T/SN5	26	FQM1-580.8N-B3U0.2T/SN8	30
FQM1-580.8P-A3U0.2T/SN5	27	FQM1-580.8P-A3U0.2T/SN8	31
FQM1-580.8P-B3U0.2T/SN5	28	FQM1-580.8P-B3U0.2T/SN8	32
	21		21
IQM1-580.8N-A3U0.2T/SN5	25	IQM1-580.8N-A3U0.2T/SN8	29
IQM1-580.8N-B3U0.2T/SN5	26	IQM1-580.8N-B3U0.2T/SN8	30
IQM1-580.8P-A3U0.2T/SN5	27	IQM1-580.8P-A3U0.2T/SN8	31
IQM1-580.8P-B3U0.2T/SN5	28	IQM1-580.8P-B3U0.2T/SN8	32

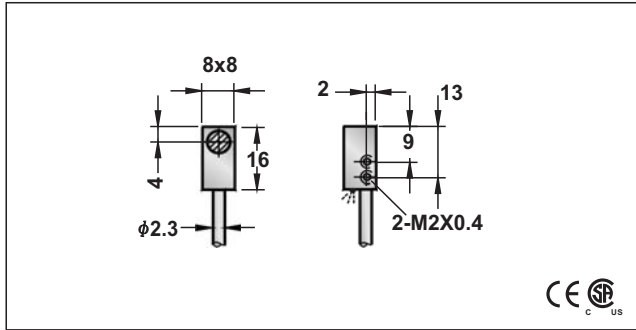
FQM***/SN5	└ φ 5 Pigtail mode
FQM***/SN8	└ φ 8 Pigtail mode
3.0 φ 3X0.15	
Approx.30 g	Approx.31 g

Note:
Coming Soon : Part numbers with underline

DC INDUCTIVE PROXIMITY SWITCH SQUARE TYPE

DC INDUCTIVE PROXIMITY SWITCH
SQUARE TYPE

Q 8		
●		
1.0 mm	2.0 mm	3.0 mm
Nickel plated brass		
●		



10-30VDC
<10%
<10mA
200mA
<0.01mA
-
-
<1.5V
2KHZ
0.1ms/0.1ms
<15%(Sr)
<1.0%(Sr)
IP67
-25°C - +70°C
<10%(Sr)
YES
220mA
<10ms
RFI>3V/m / EFT>1KV / ESD>4KV (contact)
IEC 60947-5-2,Part 7.4.1 / IEC 60947-5-2,Part 7.4.2
POM

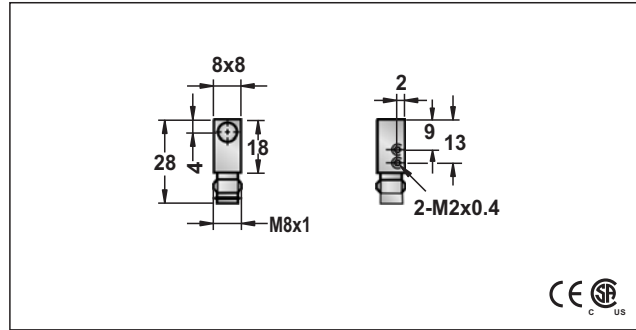
FQM1-8801N-A3R2T	1	EQM1-8802N-A3R2T	1	LQM1-8803N-A3R2T
FQM1-8801N-B3R2T	2	EQM1-8802N-B3R2T	2	LQM1-8803N-B3R2T
FQM1-8801P-A3R2T	3	EQM1-8802P-A3R2T	3	LQM1-8803P-A3R2T
FQM1-8801P-B3R2T	4	EQM1-8802P-B3R2T	4	LQM1-8803P-B3R2T



Note:
All cable type have
pigtail connect mode,
*QM***/ p → pigtail mode

2.3φ3x0.15
Approx.20 g

Q 8		
●		
1.0 mm	2.0 mm	3.0 mm
Nickel plated brass		
●		



10-30VDC
<10%
<10mA
200mA
<0.01mA
-
-
<1.5V
2KHZ
0.1ms/0.1ms
<15%(Sr)
<1.0%(Sr)
IP67
-25°C - +70°C
<10%(Sr)
YES
220mA
<10ms
RFI>3V/m / EFT>1KV / ESD>4KV (contact)
IEC 60947-5-2,Part 7.4.1 / IEC 60947-5-2,Part 7.4.2
POM

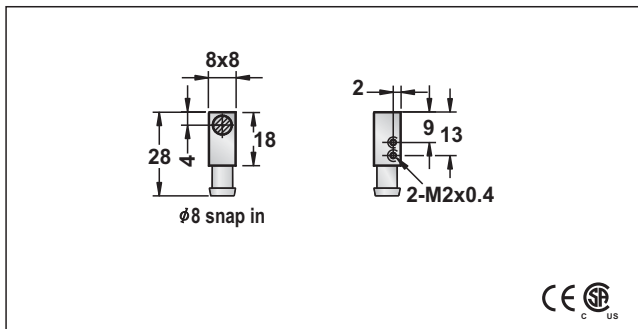
FQM1-8801N-ACR3T	29	EQM1-8802N-ACR3T	29	LQM1-8803N-ACR3T
FQM1-8801N-BCR3T	30	EQM1-8802N-BCR3T	30	LQM1-8803N-BCR3T
FQM1-8801P-ACR3T	31	EQM1-8802P-ACR3T	31	LQM1-8803P-ACR3T
FQM1-8801P-BCR3T	32	EQM1-8802P-BCR3T	32	LQM1-8803P-BCR3T

Connecting cable:
M8 female pico-style screw locking with moulded cable.

Approx.25 g

DC INDUCTIVE PROXIMITY SWITCH SQUARE TYPE

Q 8		
●		
1.0 mm	2.0 mm	3.0 mm
Nickel plated brass		
●		



10-30VDC
<10%
<10mA
200mA
<0.01mA
-
-
<1.5V
2KHZ
0.1ms/0.1ms
<15%(Sr)
<1.0%(Sr)
IP67
-25°C - +70°C
<10%(Sr)
YES
220mA
<10ms
RFI>3V/m / EFT>1KV / ESD>4KV (contact)
IEC 60947-5-2,Part 7.4.1 / IEC 60947-5-2,Part 7.4.2
POM

FQM1-8801N-ACR3T/SN	29	EQM1-8802N-ACR3T/SN	29	LQM1-8803N-ACR3T/SN
FQM1-8801N-BCR3T/SN	30	EQM1-8802N-BCR3T/SN	30	LQM1-8803N-BCR3T/SN
FQM1-8801P-ACR3T/SN	31	EQM1-8802P-ACR3T/SN	31	LQM1-8803P-ACR3T/SN
FQM1-8801P-BCR3T/SN	32	EQM1-8802P-BCR3T/SN	32	LQM1-8803P-BCR3T/SN

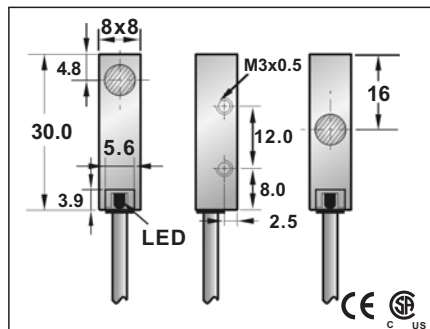
Connecting cable:
 Female pico-style snap-in device with moulded cable.

Approx. 20 g

DC INDUCTIVE PROXIMITY SWITCH SQUARE TYPE

DC INDUCTIVE PROXIMITY SWITCH SQUARE TYPE

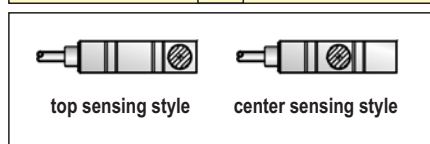
Q8
●
1.5 mm
die-cast
●



10-30VDC or 5-36VDC
<10%
<10mA
200mA
<0.01mA
-
-
<1.5V
2KHZ
0.1ms/0.1ms
<15%(Sr)
<1.0%(Sr)
IP67
-25°C - +70°C
<10%(Sr)
YES
220mA
<10ms

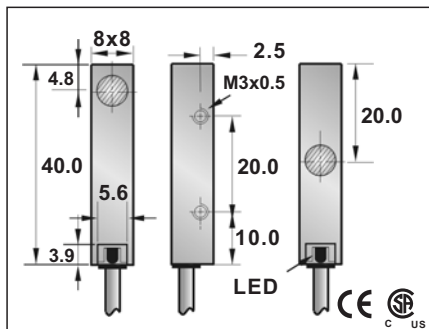
RFI>3V/m / EFT>1KV / ESD>4KV (contact)
IEC 60947-5-2, Part 7.4.1 / IEC 60947-5-2, Part 7.4.2
PBT

<u>FQM1-881.5N-A3S2T</u>	1	<u>FQM1-881.5N-A3S2M</u>
<u>FQM1-881.5N-B3S2T</u>	2	<u>FQM1-881.5N-B3S2M</u>
<u>FQM1-881.5P-A3S2T</u>	3	<u>FQM1-881.5P-A3S2M</u>
<u>FQM1-881.5P-B3S2T</u>	4	<u>FQM1-881.5P-B3S2M</u>
<u>FQM1-881.5C-A2U2T</u>	7	<u>FQM1-881.5C-A2U2M</u>
<u>FQM1-881.5C-B2U2T</u>	8	<u>FQM1-881.5C-B2U2M</u>
<u>IQM1-881.5N-A3S2T</u>	1	<u>IQM1-881.5N-A3S2M</u>
<u>IQM1-881.5N-B3S2T</u>	2	<u>IQM1-881.5N-B3S2M</u>
<u>IQM1-881.5P-A3S2T</u>	3	<u>IQM1-881.5P-A3S2M</u>
<u>IQM1-881.5P-B3S2T</u>	4	<u>IQM1-881.5P-B3S2M</u>



3.0 φ3X0.15
Approx.38 g

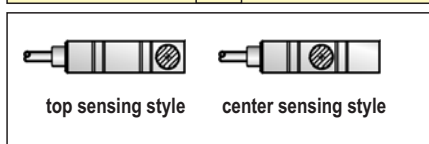
Q8
●
1.5 mm
die-cast
●



10-30VDC or 5-36VDC
<10%
<10mA
200mA
<0.01mA
-
-
<1.5V
2KHZ
0.1ms/0.1ms
<15%(Sr)
<1.0%(Sr)
IP67
-25°C - +70°C
<10%(Sr)
YES
220mA
<10ms

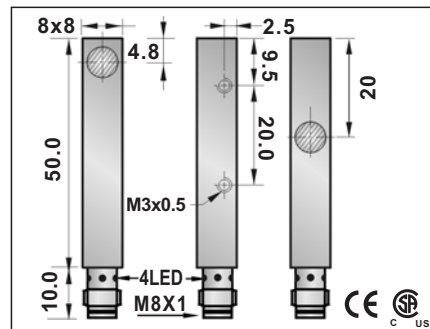
RFI>3V/m / EFT>1KV / ESD>4KV (contact)
IEC 60947-5-2, Part 7.4.1 / IEC 60947-5-2, Part 7.4.2
PBT

<u>FQM1-881.5N-A3U2T</u>	1	<u>FQM1-881.5N-A3U2M</u>
<u>FQM1-881.5N-B3U2T</u>	2	<u>FQM1-881.5N-B3U2M</u>
<u>FQM1-881.5P-A3U2T</u>	3	<u>FQM1-881.5P-A3U2M</u>
<u>FQM1-881.5P-B3U2T</u>	4	<u>FQM1-881.5P-B3U2M</u>
<u>FQM1-881.5C-A2U2T</u>	7	<u>FQM1-881.5C-A2U2M</u>
<u>FQM1-881.5C-B2U2T</u>	8	<u>FQM1-881.5C-B2U2M</u>
<u>IQM1-881.5N-A3U2T</u>	1	<u>IQM1-881.5N-A3U2M</u>
<u>IQM1-881.5N-B3U2T</u>	2	<u>IQM1-881.5N-B3U2M</u>
<u>IQM1-881.5P-A3U2T</u>	3	<u>IQM1-881.5P-A3U2M</u>
<u>IQM1-881.5P-B3U2T</u>	4	<u>IQM1-881.5P-B3U2M</u>



3.0 φ3X0.15
Approx.38 g

Q8
●
1.5 mm
die-cast
●



10-30VDC or 5-36VDC
<10%
<10mA
200mA
<0.01mA
-
-
<1.5V
2KHZ
0.1ms/0.1ms
<15%(Sr)
<1.0%(Sr)
IP67
-25°C - +70°C
<10%(Sr)
YES
220mA
<10ms

RFI>3V/m / EFT>1KV / ESD>4KV (contact)
IEC 60947-5-2, Part 7.4.1 / IEC 60947-5-2, Part 7.4.2
PBT

<u>FQM1-881.5N-ACU3T</u>	29	<u>FQM1-881.5N-ACU3M</u>
<u>FQM1-881.5N-BCU3T</u>	29	<u>FQM1-881.5N-BCU3M</u>
<u>FQM1-881.5P-ACU3T</u>	30	<u>FQM1-881.5P-ACU3M</u>
<u>FQM1-881.5P-BCU3T</u>	30	<u>FQM1-881.5P-BCU3M</u>
<u>FQM1-881.5C-ACU3T</u>	39	<u>FQM1-881.5C-ACU3M</u>
<u>FQM1-881.5C-BCU3T</u>	77	<u>FQM1-881.5C-BCU3M</u>
<u>IQM1-881.5N-ACU3T</u>	29	<u>IQM1-881.5N-ACU3M</u>
<u>IQM1-881.5N-BCU3T</u>	29	<u>IQM1-881.5N-BCU3M</u>
<u>IQM1-881.5P-ACU3T</u>	30	<u>IQM1-881.5P-ACU3M</u>
<u>IQM1-881.5P-BCU3T</u>	30	<u>IQM1-881.5P-BCU3M</u>

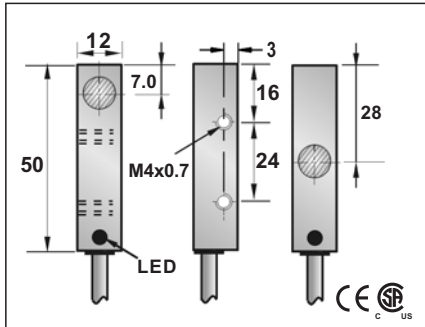


3.0 φ3X0.15
Approx.38 g

Note:
Coming Soon : Part numbers with underline

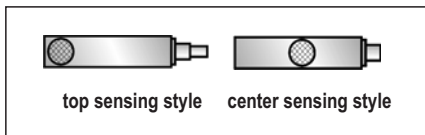
DC INDUCTIVE PROXIMITY SWITCH SQUARE TYPE

Q 12
●
2 mm
die-cast
●



10-30VDC or 5-36VDC or 10-55VDC
<10%
<10mA <20mA
200mA
<0.01mA
-
<1.5V or <1.0V or <2.0V
2KHZ
0.1ms/0.1ms
<15%(Sr)
<1.0%(Sr)
IP67
-25 °C - +70 °C
<10%(Sr)
YES
220mA
<10ms
RFI>3V/m / EFT>1KV / ESD>4KV (contact)
IEC 60947-5-2, Part 7.4.1 / IEC 60947-5-2, Part 7.4.2
POM

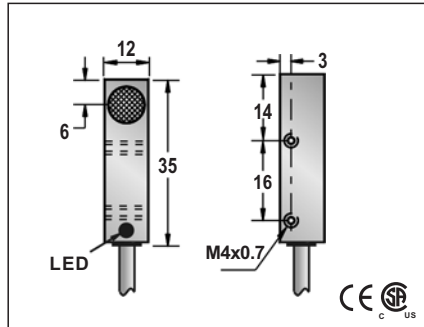
<u>FQM1-1202N-A3U2T</u>	1	<u>FQM1-1202N-A3U2M</u>
<u>FQM1-1202N-B3U2T</u>	2	<u>FQM1-1202N-B3U2M</u>
<u>FQM1-1202P-A3U2T</u>	3	<u>FQM1-1202P-A3U2M</u>
<u>FQM1-1202P-B3U2T</u>	4	<u>FQM1-1202P-B3U2M</u>
<u>FQM1-1202P-S4U2T</u>	6	<u>FQM1-1202P-S4U2M</u>
<u>FQM1-1202N-S4U2T</u>	5	<u>FQM1-1202N-S4U2M</u>
<u>FQM1-1202C-A2U2T</u>	7	<u>FQM1-1202C-A2U2M</u>
<u>FQM1-1202C-B2U2T</u>	8	<u>FQM1-1202C-B2U2M</u>
<u>HQM1-1202N-A3U2T</u>	1	<u>HQM1-1202N-A3U2M</u>
<u>HQM1-1202N-B3U2T</u>	2	<u>HQM1-1202N-B3U2M</u>
<u>HQM1-1202P-A3U2T</u>	3	<u>HQM1-1202P-A3U2M</u>
<u>HQM1-1202P-B3U2T</u>	4	<u>HQM1-1202P-B3U2M</u>
<u>IQM1-1202N-A3U2T</u>	1	<u>IQM1-1202N-A3U2M</u>
<u>IQM1-1202N-B3U2T</u>	2	<u>IQM1-1202N-B3U2M</u>
<u>IQM1-1202P-A3U2T</u>	3	<u>IQM1-1202P-A3U2M</u>
<u>IQM1-1202P-B3U2T</u>	4	<u>IQM1-1202P-B3U2M</u>
<u>IQM1-1202P-S4U2T</u>	6	<u>IQM1-1202P-S4U2M</u>
<u>IQM1-1202N-S4U2T</u>	5	<u>IQM1-1202N-S4U2M</u>



4 φ 3x0.15
Approx.75 g

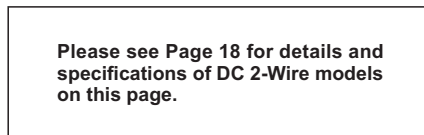
Note:
Coming Soon : Part numbers with underline

Q 12
●
2 mm
die-cast
●



10-30VDC or 5-36VDC
<10%
<10mA
200mA
<0.01mA
-
<1.5V(10-30V) or <1.0V(5-36V)
2KHZ
0.1ms/0.1ms
<15%(Sr)
<1.0%(Sr)
IP67
-25 °C - +70 °C
<10%(Sr)
YES
220mA
<10ms
RFI>3V/m / EFT>1KV / ESD>4KV (contact)
IEC 60947-5-2, Part 7.4.1 / IEC 60947-5-2, Part 7.4.2
POM

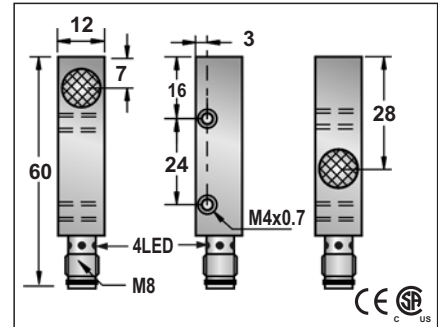
<u>FQM1-1202N-A3S2T</u>	1
<u>FQM1-1202N-B3S2T</u>	2
<u>FQM1-1202P-A3S2T</u>	3
<u>FQM1-1202P-B3S2T</u>	4
<u>FQM1-1202P-S4S2T</u>	6
<u>FQM1-1202N-S4S2T</u>	5
<u>IQM1-1202N-A3S2T</u>	1
<u>IQM1-1202N-B3S2T</u>	2
<u>IQM1-1202P-A3S2T</u>	3
<u>IQM1-1202P-B3S2T</u>	4
<u>IQM1-1202P-S4S2T</u>	6
<u>IQM1-1202N-S4S2T</u>	5



4 φ 3x0.15
Approx.70 g

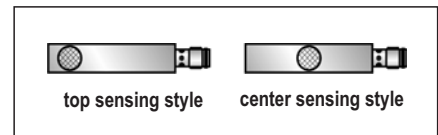
Please see Page 18 for details and specifications of DC 2-Wire models on this page.

Q 12
●
2 mm
die-cast
●



10-30VDC or 5-36VDC or 10-55VDC
<10%
<10mA <20mA
200mA
<0.01mA
-
<1.5V or <1.0V or <2.0V
2KHZ
0.1ms/0.1ms
<15%(Sr)
<1.0%(Sr)
IP67
-25 °C - +70 °C
<10%(Sr)
YES
220mA
<10ms
RFI>3V/m / EFT>1KV / ESD>4KV (contact)
IEC 60947-5-2, Part 7.4.1 / IEC 60947-5-2, Part 7.4.2
POM

<u>FQM1-1202N-ACU3T</u>	29	<u>FQM1-1202N-ACU3M</u>
<u>FQM1-1202N-BCU3T</u>	29	<u>FQM1-1202N-BCU3M</u>
<u>FQM1-1202P-ACU3T</u>	30	<u>FQM1-1202P-ACU3M</u>
<u>FQM1-1202P-BCU3T</u>	30	<u>FQM1-1202P-BCU3M</u>
<u>FQM1-1202P-SCU4T</u>	32	<u>FQM1-1202P-SCU4M</u>
<u>FQM1-1202N-SCU4T</u>	31	<u>FQM1-1202N-SCU4M</u>
<u>FQM1-1202C-ACU3T</u>	39	<u>FQM1-1202C-ACU3M</u>
<u>FQM1-1202C-BCU3T</u>	77	<u>FQM1-1202C-BCU3M</u>
<u>HQM1-1202N-ACU3T</u>	29	<u>HQM1-1202N-ACU3M</u>
<u>HQM1-1202N-BCU3T</u>	29	<u>HQM1-1202N-BCU3M</u>
<u>HQM1-1202P-ACU3T</u>	30	<u>HQM1-1202P-ACU3M</u>
<u>HQM1-1202P-BCU3T</u>	30	<u>HQM1-1202P-BCU3M</u>
<u>IQM1-1202N-ACU3T</u>	29	<u>IQM1-1202N-ACU3M</u>
<u>IQM1-1202N-BCU3T</u>	29	<u>IQM1-1202N-BCU3M</u>
<u>IQM1-1202P-ACU3T</u>	30	<u>IQM1-1202P-ACU3M</u>
<u>IQM1-1202P-BCU3T</u>	30	<u>IQM1-1202P-BCU3M</u>
<u>IQM1-1202P-SCU4T</u>	32	<u>IQM1-1202P-SCU4M</u>
<u>IQM1-1202N-SCU4T</u>	31	<u>IQM1-1202N-SCU4M</u>

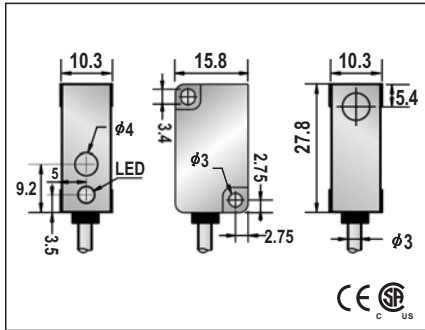


Approx.38 g

DC INDUCTIVE PROXIMITY SWITCH SQUARE TYPE

DC INDUCTIVE PROXIMITY SWITCH SQUARE TYPE

Q16x28x10	
●	○
1 mm	2 mm
die-cast	
●	



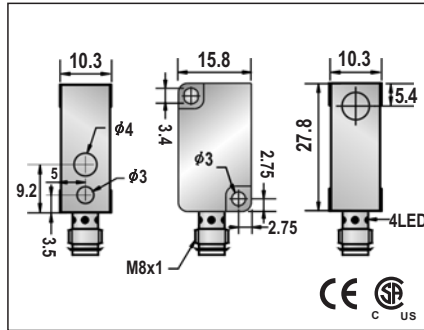
10-30VDC or 5-36VDC	
<10%	
<10mA	
200mA	
<0.01mA	
-	
<1.5V	
2KHZ	
0.1ms/0.1ms	
<15%(Sr)	
<1.0%(Sr)	
IP67	
-25°C - +70°C	
<10%(Sr)	
YES	
220mA	
<10ms	
RFI>3V/m / EFT>1KV / ESD>4KV (contact)	
IEC 60947-5-2,Part 7.4.1 / IEC 60947-5-2,Part 7.4.2	
POM	

<u>FQM1-2801N-A3U2</u>	1	<u>FQM2-2802N-A3U2</u>
<u>FQM1-2801N-B3U2</u>	2	<u>FQM2-2802N-B3U2</u>
<u>FQM1-2801P-A3U2</u>	3	<u>FQM2-2802P-A3U2</u>
<u>FQM1-2801P-B3U2</u>	4	<u>FQM2-2802P-B3U2</u>
<u>FQM1-2801C-A2U2</u>	7	<u>FQM2-2802C-A2U2</u>
<u>FQM1-2801C-B2U2</u>	8	<u>FQM2-2802C-B2U2</u>
<u>IQM1-2801N-A3U2</u>	1	<u>IQM2-2802N-A3U2</u>
<u>IQM1-2801N-B3U2</u>	2	<u>IQM2-2802N-B3U2</u>
<u>IQM1-2801P-A3U2</u>	3	<u>IQM2-2802P-A3U2</u>
<u>IQM1-2801P-B3U2</u>	4	<u>IQM2-2802P-B3U2</u>

Please see Page 18 for details and specifications of DC 2-Wire models on this page.

3.0 φ3X0.15
Approx.60 g

Q16x28x10	
●	○
1 mm	2 mm
die-cast	
●	



10-30VDC or 5-36VDC	
<10%	
<10mA	
200mA	
<0.01mA	
-	
<1.5V	
2KHZ	
0.1ms/0.1ms	
<15%(Sr)	
<1.0%(Sr)	
IP67	
-25°C - +70°C	
<10%(Sr)	
YES	
220mA	
<10ms	
RFI>3V/m / EFT>1KV / ESD>4KV (contact)	
IEC 60947-5-2,Part 7.4.1 / IEC 60947-5-2,Part 7.4.2	
POM	

<u>FQM1-2801N-ACU3</u>	29	<u>FQM2-2802N-ACU3</u>
<u>FQM1-2801N-BCU3</u>	29	<u>FQM2-2802N-BCU3</u>
<u>FQM1-2801P-ACU3</u>	30	<u>FQM2-2802P-ACU3</u>
<u>FQM1-2801P-BCU3</u>	30	<u>FQM2-2802P-BCU3</u>
<u>FQM1-2801C-ACU3</u>	39	<u>FQM2-2802C-ACU3</u>
<u>FQM1-2801C-BCU3</u>	77	<u>FQM2-2802C-BCU3</u>
<u>IQM1-2801N-ACU3</u>	29	<u>IQM2-2802N-ACU3</u>
<u>IQM1-2801N-BCU3</u>	29	<u>IQM2-2802N-BCU3</u>
<u>IQM1-2801P-ACU3</u>	30	<u>IQM2-2802P-ACU3</u>
<u>IQM1-2801P-BCU3</u>	30	<u>IQM2-2802P-BCU3</u>

Approx.60 g

Note:

Coming Soon : Part numbers with underline