

Mounting clamps

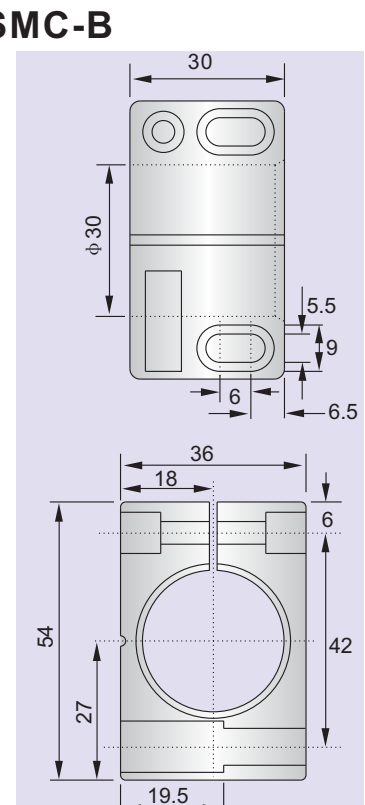
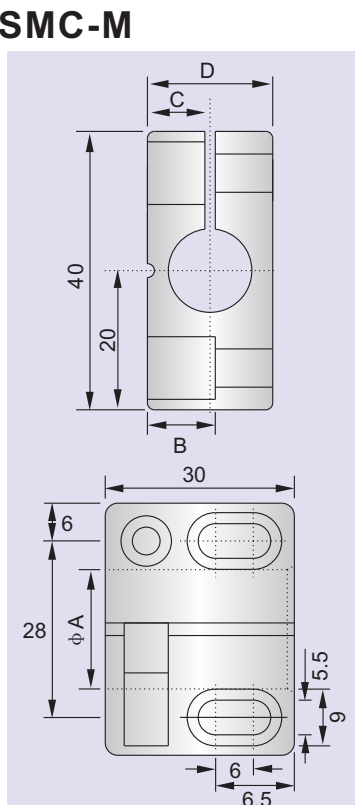
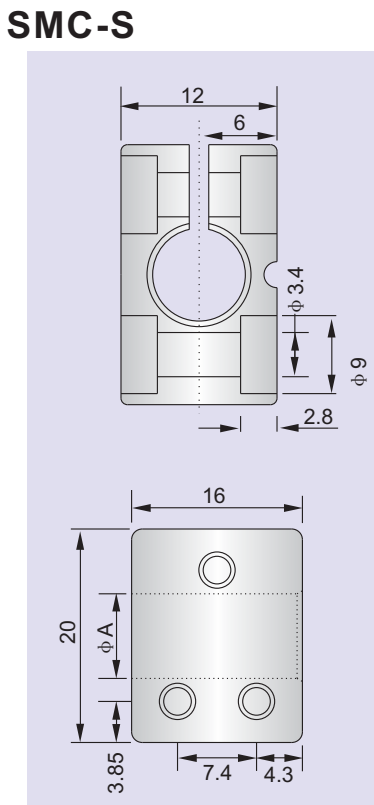


MODEL	A	TYPE
<u>SMC-S-03</u>	φ3	Without limit stop
<u>SMC-S-04</u>	φ4	Without limit stop
<u>SMC-S-05</u>	φ5	Without limit stop
<u>SMC-S-6.5</u>	φ6.5	Without limit stop
<u>SMC-S-08</u>	φ8	Without limit stop
<u>SMC-S-W18</u>	φ8	With limit stop

MODEL	A	B	C	D	TYPE
<u>SMC-M-12</u>	φ12	9.75	9	18	Without limit stop
<u>SMC-M-W12</u>	φ12	9.75	9	18	With limit stop
<u>SMC-M-18</u>	φ18	12.85	12	24	Without limit stop
<u>SMC-M-W18</u>	φ18	12.85	12	24	With limit stop

MODEL	A	TYPE
<u>SMC-B-30</u>	φ30	Without limit stop
<u>SMC-B-W30</u>	φ30	With limit stop

MOUNTING CLAMPS



Note:
 Coming Soon : Part numbers with underline
 In Preparation: Part numbers with a line through the middle