

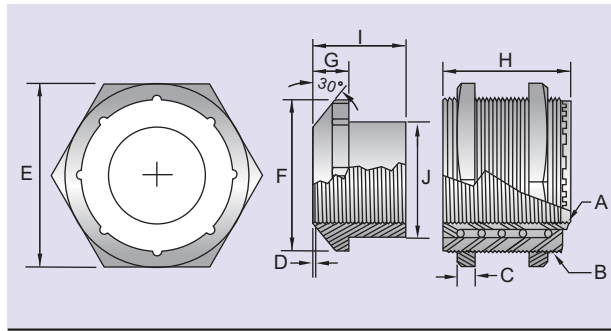
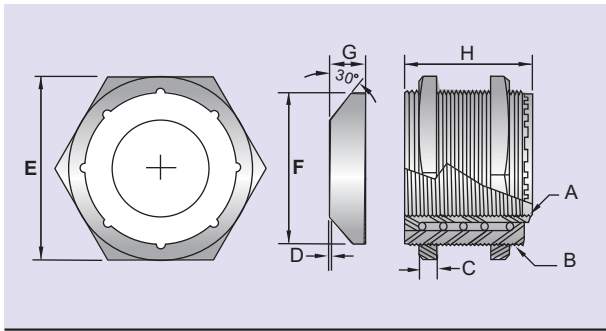
Cushioned Sensor Mounts

Mode	A	B	C	D	E	F	G	H	I	J	K			
SSN-08	M8x1	M16x1.5	3.10 (1.5)	0.25 (0.01)	2.1 (0.87)	15.1 (0.59)	5.10 (0.20)	22.1 (0.87)	N/A	N/A	9.04 (0.35)			
SSN-08N									9.51 (0.37)	11.00 (0.43)				
SSN-12-LP	M12x1	M18x1	3.94 (0.16)	0.75 (0.03)	24.0 (0.95)	21.8 (0.86)	6.22 (0.25)	21.1 (0.83)	N/A	N/A	12.1 (0.48)			
SSN-12N-LP									17.3 (0.68)	14.9 (0.58)				
SSN-12		M22x1.5	3.94 (0.16)		28.9 (1.16)			35.00 (1.38)	30.0 (1.18)	8.50 (0.33)	30.0 (1.18)	N/A	N/A	10.4 (0.41)
SSN-12N												17.3 (0.88)	14.9 (0.58)	
SSN-18	M18x1	M30x1.5	5.00 (0.20)	1.27 (0.05)	51.0 (2.01)	44.5 (1.75)	7.50 (0.30)	37.4 (1.47)	N/A	N/A	15.2 (0.80)			
SSN-18N									17.3 (0.88)	(0.96)				
SSN-30	M30x1.5	M47x1.5	5.00 (0.20)	1.27 (0.05)	51.0 (2.01)	44.5 (1.75)	7.50 (0.30)	37.4 (1.47)	N/A	N/A	15.2 (0.80)			
SSN-30N									20.0 (0.79)	38.6 (1.52)				

Top chart is for round, threaded models. The bottom chart is for block-style models. with a "N" after the ID bore thread size are for non-shielded sensors and correspond to the figures on the right side (below each chart).

Caps are plastic and mount housings are anodized alum-inum, except SSN-12-LP and SSN-12-LP are stainless steel. Round threaded models are also available in stainless steel, add "SS" to the model number

"O" In Tables Is total Allo-Wable over travel.



Mode	A	B	C	D	E	F	G	H	I	J	K	L	M	O
SSNB-08	M8x1	19.0 (0.75)	9.52 (0.37)	0.25 (0.01)	15.8 (0.62)	15.1 (0.59)	5.10 (0.20)	22.1 (0.87)	N/A	N/A	18.4 (0.72)	25.4 (1.00)	3.58 (0.14)	9.04 (0.35)
SSNB-08N									9.51 (0.37)	11.00 (0.43)				
SSNB-12	M12x1	19.0 (0.75)	9.39 (0.37)	0.75 (0.03)	2.22 (0.87)	21.8 (0.86)	6.22 (0.25)	21.1 (0.87)	N/A	N/A	24.8 (0.98)	38.1 (1.50)	5.08 (0.20)	10.4 (0.41)
SSNB-12N									17.3 (0.68)	14.9 (0.58)				
SSNB-18	M18x1	25.4 (1.00)	12.7 (0.50)	0.75 (0.03)	31.7 (1.25)	30.0 (1.18)	8.50 (0.33)	30.0 (1.18)	N/A	N/A	34.3 (1.35)	44.5 (1.75)	6.61 (0.25)	12.0 (0.47)
SSNB-18N									17.3 (0.88)	24.0 (0.96)				
SSNB-30	M30x1.5	34.9 (1.38)	17.5 (0.68)	1.27 (0.05)	50.8 (2.00)	44.5 (1.75)	7.50 (0.30)	37.4 (1.47)	N/A	N/A	51.5 (2.03)	63.5 (2.50)	6.73 (0.26)	15.2 (0.80)
SSNB-30N									20.0 (0.79)	38.6 (1.52)				

