

Swivel-style Universal

SSUB-18



SSUB-30



Features

- Durable Glass-filled Nylon Construction
- Regular or Extended Base Models
- Sizes for 18 and 30mm Threaded Sensors

Benefits

- Easy Sensor Installation and Setup
- Corrosion-Resistant
- Stock Mounting Solutions

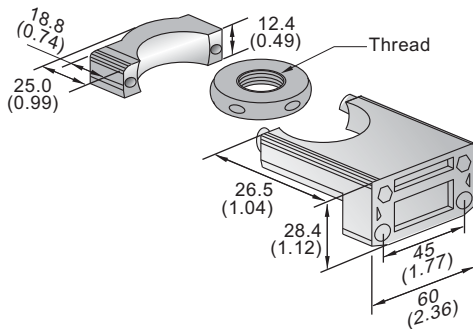
Swivel-style Universal

Used attach limit switch style(18mm 30mm threaded base) achieve secure mounting with these durable, glass-filled nylon, brackets



Mode	Thread
SSUB-18	M18x1
SSUB-30	M30x1.5

Mode:SSUB-18



Mode:SSUB-30

