

# Flat Brackets

**SFB**



**SFRAB**



**Features**

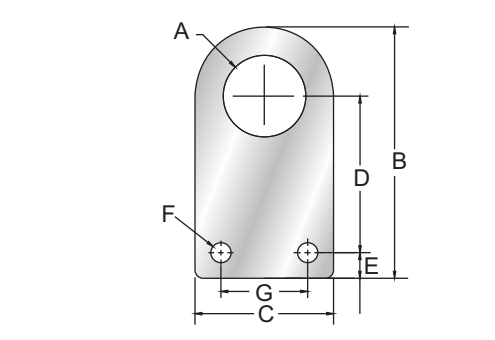
- Multi-slotted or limited adjustability models
- Brackets are sized proportionally to sensor
- Zinc-plated CRS or 303 stainless steel

**Benefits**

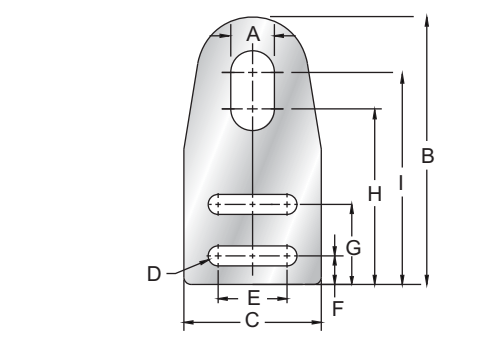
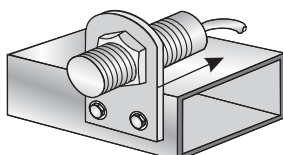
- Eliminate design hassles, source from our stock
- Easy to use with positioning flexibility
- Industry standard mounting footprint

MODEL	SFB-12	SFB-18	SFB-22	SFB-30	SFB-47
A	12.1 (0.48)	18.1 (0.71)	22.1 (0.87)	30.1 (1.19)	47.2 (1.86)
B	54.4 (2.14)	65.0 (2.56)	92.2 (3.63)	108 (4.26)	
C	3.18 (1.25)	34.9 (1.38)	50.8 (2.00)	63.5 (2.50)	
D	25.4 (1.00)	39.6 (1.56)	57.4 (2.26)	68.1 (2.68)	
E	13.1 (0.52)	7.93 (0.31)	9.40 (0.37)	9.65 (0.38)	
F	55.4 (0.22)		7.14 (0.28)		
G	19.1 (0.75)	22.2 (0.88)	31.8 (1.25)	38.1 (1.50)	
Thickness	3.18 (0.13)				

MODEL	SFRAB-08	SFRAB-12	SFRAB-18	SFRAB-22	SFRAB-30	SFRAB-47
A	8.10 (0.32)	12.1 (0.48)	18.1 (0.71)	22.1 (0.87)	30.1 (1.19)	47.1 (1.86)
B	55.4 (2.18)	74.2 (2.92)	86.9 (3.42)	109 (4.30)	141 (5.55)	
C	31.8 (1.25)	38.1 (1.50)	44.5 (1.75)	57.2 (2.25)	63.5 (2.50)	
D	5.54 (0.22)			7.14 (0.28)		
E	15.9 (0.63)	19.1 (0.75)	25.4 (1.00)	34.8 (1.37)	38.1 (1.50)	
F	7.14 (0.28)	7.92 (0.31)		10.3 (0.41)	12.7 (0.50)	
G	19.0 (0.75)	22.2 (0.86)		30.9 (1.21)	38.1 (1.50)	
H	36.6 (1.44)	48.7 (1.91)	53.9 (2.12)	52.2 (2.05)	67.5 (2.65)	88.9 (3.50)
I	46.2 (1.82)	58.8 (2.31)	68.1 (2.68)	65.7 (2.59)	84.5 (3.33)	108 (4.25)
J	1.78 (0.07)			2.16 (.095)	3.05 (0.12)	



**SFB**



**SFRAB**

