

# Quicktube & Proxtube

## SQT



## SPT



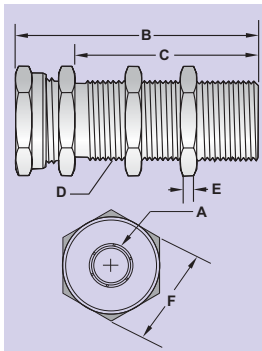
### Features

- Collet-style locknut secures sensor
- Integral stop shoulder maintains target gap
- 8,12,18 and 30mm sizes
- Short or long barrel lengths

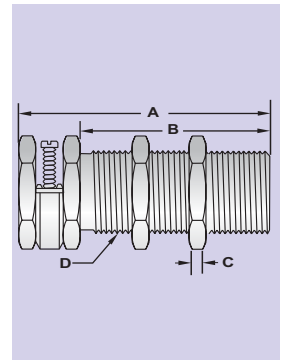
### Benefits

- Housing protects sensor form physical impact
- Sensor change-out is fast, no adjustments required
- Target/ product can rest on sensor face
- New applications sensors

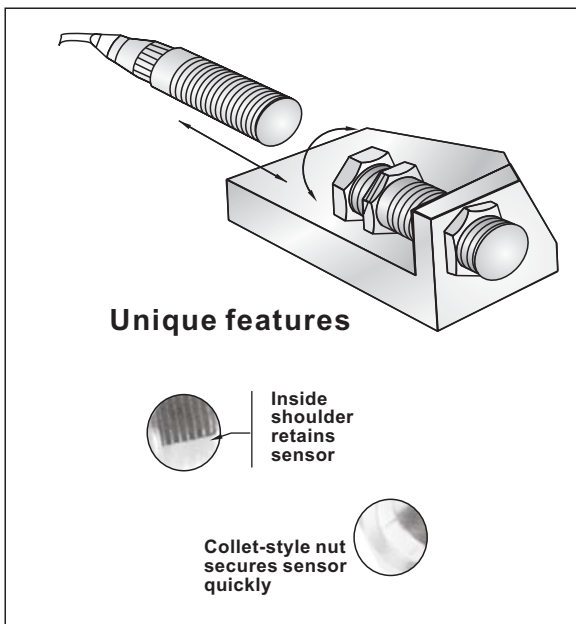
MODEL	SQT-08	SQT-08L	SQT-12	SQT-12L	SQT-18	SQT-18L	SQT-30	SQT-30L
A	8.18 (0.32)	12.1 (0.48)	18.1 (0.71)	30.1 (1.19)				
B	32.4 (1.28)	48.0 (1.90)	33.7 (1.34)	44.8 (1.76)	38.5 (1.52)	58.0 (2.28)	35.0 (1.50)	58.0 (2.28)
C	17.5 (0.69)	34.0 (1.34)	19.5 (0.77)	30.0 (1.18)	20.0 (0.79)	40.0 (1.57)	20.0 (0.79)	40.0 (1.57)
D	M12x1	M16x1	M24x1.5	M36x1.5				
E	3.85 (0.15)	4.01 (0.16)	4.95 (0.19)	6.13 (0.24)				
F	16.9 (0.67)	21.8 (0.86)	30.0 (1.18)	41.0 (1.61)				



Model	SPT-12	SPT-18	SPT-30
Sensor	M12	M18	M30
A	30.5 (1.20)	36.0 (1.42)	40.0 (1.57)
B	16.0 (0.63)	18.0 (0.71)	
C	4.82 (0.19)		
OD Thrd	PG9	PG16	PG29



### Quicktube



### ProxTube

