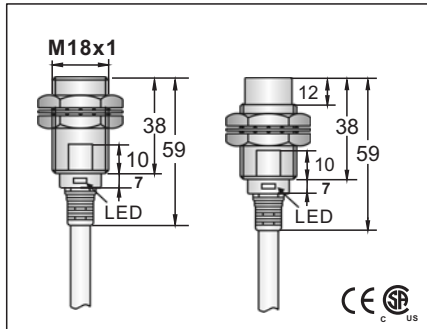


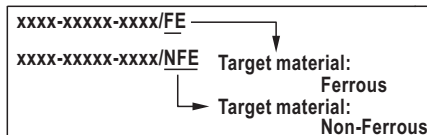
DC METAL FACE FERROUS/NON-FERROUS SENSING (Teflon Coating)

M 18	
●	○
5 mm	8 mm
SUS 303 stainless steel	
●	



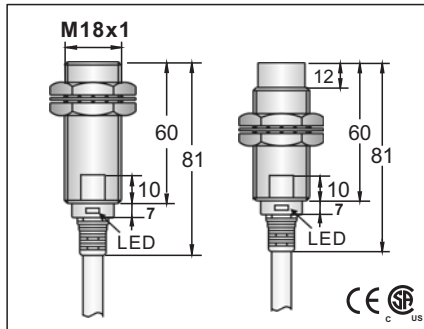
10-30VDC	
<10%	
<10mA	
200mA	
<0.01mA	
-	
<1.5V	
1KHZ	500HZ
0.1ms/0.1ms	0.2ms/0.2ms
<15%(Sr)	
<1.0%(Sr)	
IP67	
-25 °C - +70 °C	
<10%(Sr)	
YES	
220mA	
160	
RFI>3V/m / EFT>1KV / ESD>4KV (contact)	
IEC 60947-5-2, Part 7.4.1 / IEC 60947-5-2, Part 7.4.2	
SUS 303 stainless steel	

<u>FCS1-1805N-A3S2/FE-W</u>	1	<u>FCS2-1808N-A3S2/FE-W</u>	1
<u>FCS1-1805N-B3S2/FE-W</u>	2	<u>FCS2-1808N-B3S2/FE-W</u>	2
<u>FCS1-1805P-A3S2/FE-W</u>	3	<u>FCS2-1808P-A3S2/FE-W</u>	3
<u>FCS1-1805P-B3S2/FE-W</u>	4	<u>FCS2-1808P-B3S2/FE-W</u>	4
<u>FCS1-1805N-A3S2/NFE-W</u>	1	<u>FCS2-1808N-A3S2/NFE-W</u>	1
<u>FCS1-1805N-B3S2/NFE-W</u>	2	<u>FCS2-1808N-B3S2/NFE-W</u>	2
<u>FCS1-1805P-A3S2/NFE-W</u>	3	<u>FCS2-1808P-A3S2/NFE-W</u>	3
<u>FCS1-1805P-B3S2/NFE-W</u>	4	<u>FCS2-1808P-B3S2/NFE-W</u>	4
<u>FCS1-1805C-A2S2/FE-W</u>	7	<u>FCS2-1808C-A2S2/FE-W</u>	7
<u>FCS1-1805C-B2S2/FE-W</u>	8	<u>FCS2-1808C-B2S2/FE-W</u>	8
<u>FCS1-1805C-A2S2/NFE-W</u>	7	<u>FCS2-1808C-A2S2/NFE-W</u>	7
<u>FCS1-1805C-B2S2/NFE-W</u>	8	<u>FCS2-1808C-B2S2/NFE-W</u>	8



5.8 φ 3x0.5	
Approx.132 g	Approx.134 g

M18	
●	○
5 mm	8 mm
SUS 303 stainless steel	
●	



10-30VDC	
<10%	
<10mA	
200mA	
<0.01mA	
-	
<1.5V or <1.0V or <2.0V	
1KHZ	500HZ
0.2ms/0.2ms	0.5ms/0.5ms
<15%(Sr)	
<1.0%(Sr)	
IP67	
-25 °C - +70 °C	
<10%(Sr)	
YES	
220mA	
160	
RFI>3V/m / EFT>1KV / ESD>4KV (contact)	
IEC 60947-5-2, Part 7.4.1 / IEC 60947-5-2, Part 7.4.2	
SUS 303 stainless steel	

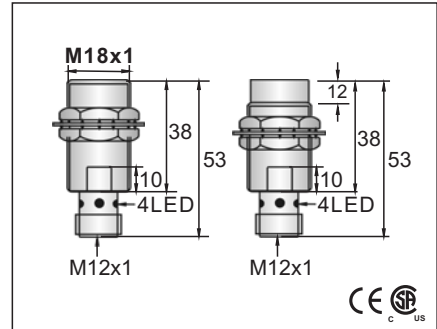
<u>FCS1-1805N-A3U2/FE-W</u>	1	<u>FCS2-1808N-A3U2/FE-W</u>	1
<u>FCS1-1805N-B3U2/FE-W</u>	2	<u>FCS2-1808N-B3U2/FE-W</u>	2
<u>FCS1-1805P-A3U2/FE-W</u>	3	<u>FCS2-1808P-A3U2/FE-W</u>	3
<u>FCS1-1805P-B3U2/FE-W</u>	4	<u>FCS2-1808P-B3U2/FE-W</u>	4
<u>FCS1-1805N-A3U2/NFE-W</u>	1	<u>FCS2-1808N-A3U2/NFE-W</u>	1
<u>FCS1-1805N-B3U2/NFE-W</u>	2	<u>FCS2-1808N-B3U2/NFE-W</u>	2
<u>FCS1-1805P-A3U2/NFE-W</u>	3	<u>FCS2-1808P-A3U2/NFE-W</u>	3
<u>FCS1-1805P-B3U2/NFE-W</u>	4	<u>FCS2-1808P-B3U2/NFE-W</u>	4
<u>FCS1-1805C-A2U2/FE-W</u>	7	<u>FCS2-1808C-A2U2/FE-W</u>	7
<u>FCS1-1805C-B2U2/FE-W</u>	8	<u>FCS2-1808C-B2U2/FE-W</u>	8
<u>FCS1-1805C-A2U2/NFE-W</u>	7	<u>FCS2-1808C-A2U2/NFE-W</u>	7
<u>FCS1-1805C-B2U2/NFE-W</u>	8	<u>FCS2-1808C-B2U2/NFE-W</u>	8

Correction factors

Series	Mild steel	Stainless steel	Aluminum	Copper	Brass
FE	1	0.7-0.9	0	0	0
NFE	0	0	1	1.1	0.9

5.8 φ 3x0.15	
Approx.153 g	Approx.144 g

M 18	
●	○
5 mm	8 mm
SUS 303 stainless steel	
●	



10-30VDC	
<10%	
<10mA	
200mA	
<0.01mA	
-	
<1.5V or <1.0V or <2.0V	
1KHZ	500HZ
0.2ms/0.2ms	0.5ms/0.5ms
<15%(Sr)	
<1.0%(Sr)	
IP67	
-25 °C - +70 °C	
<10%(Sr)	
YES	
220mA	
160	
RFI>3V/m / EFT>1KV / ESD>4KV (contact)	
IEC 60947-5-2, Part 7.4.1 / IEC 60947-5-2, Part 7.4.2	
SUS 303 stainless steel	

<u>FCS1-1805N-ARS4/FE-W</u>	33	<u>FCS2-1808N-ARS4/FE-W</u>	33
<u>FCS1-1805N-BRS4/FE-W</u>	34	<u>FCS2-1808N-BRS4/FE-W</u>	34
<u>FCS1-1805P-ARS4/FE-W</u>	35	<u>FCS2-1808P-ARS4/FE-W</u>	35
<u>FCS1-1805P-BRS4/FE-W</u>	36	<u>FCS2-1808P-BRS4/FE-W</u>	36
<u>FCS1-1805N-ARS4/NFE-W</u>	33	<u>FCS2-1808N-ARS4/NFE-W</u>	33
<u>FCS1-1805N-BRS4/NFE-W</u>	34	<u>FCS2-1808N-BRS4/NFE-W</u>	34
<u>FCS1-1805P-ARS4/NFE-W</u>	35	<u>FCS2-1808P-ARS4/NFE-W</u>	35
<u>FCS1-1805P-BRS4/NFE-W</u>	36	<u>FCS2-1808P-BRS4/NFE-W</u>	36
<u>FCS1-1805C-ARS4/FE-W</u>	40	<u>FCS2-1808C-ARS4/FE-W</u>	40
<u>FCS1-1805C-BRS4/FE-W</u>	78	<u>FCS2-1808C-BRS4/FE-W</u>	78
<u>FCS1-1805C-ARS4/NFE-W</u>	40	<u>FCS2-1808C-ARS4/NFE-W</u>	40
<u>FCS1-1805C-BRS4/NFE-W</u>	78	<u>FCS2-1808C-BRS4/NFE-W</u>	78

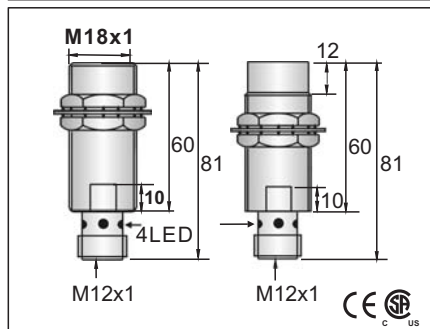
5.8 φ 3x0.5	
Approx.50 g	Approx.50 g

Note: Coming Soon : Part numbers with underline

DC METAL FACE FERROUS/NON-FERROUS SENSING SENSOR

DC METAL FACE FERROUS/NON-FERROUS SENSING (Teflon Coating)

M 18	
●	○
5 mm	8 mm
SUS 303 stainless steel	



10-30VDC	
<10%	
<10mA	
200mA	
<0.01mA	
-	
-	
<1.5V or <1.0V or <2.0V	
1KHZ	500HZ
0.2ms/0.2ms	0.5ms/0.5ms
<15%(Sr)	
<1.0%(Sr)	
IP67	
-25 °C - +70 °C	
<10%(Sr)	
YES	
220mA	
160	
RFI>3V/m / EFT>1KV / ESD>4KV (contact)	
IEC 60947-5-2,Part 7.4.1 / IEC 60947-5-2,Part 7.4.2	
SUS 303 stainless steel	

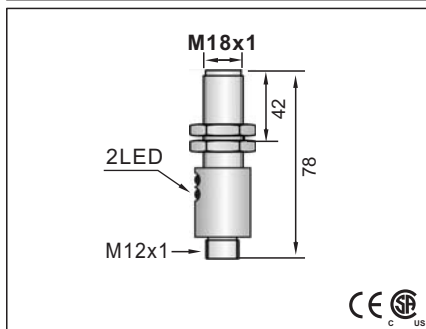
<u>FCS1-1805N-ARU4/FE-W</u>	33	<u>FCS2-1808N-ARU4/FE-W</u>	
<u>FCS1-1805N-BRU4/FE-W</u>	34	<u>FCS2-1808N-BRU4/FE-W</u>	
<u>FCS1-1805P-ARU4/FE-W</u>	35	<u>FCS2-1808P-ARU4/FE-W</u>	
<u>FCS1-1805P-BRU4/FE-W</u>	36	<u>FCS2-1808P-BRU4/FE-W</u>	
<u>FCS1-1805N-ARU4/NFE-W</u>	33	<u>FCS2-1808N-ARU4/NFE-W</u>	
<u>FCS1-1805N-BRU4/NFE-W</u>	34	<u>FCS2-1808N-BRU4/NFE-W</u>	
<u>FCS1-1805P-ARU4/NFE-W</u>	35	<u>FCS2-1808P-ARU4/NFE-W</u>	
<u>FCS1-1805P-BRU4/NFE-W</u>	36	<u>FCS2-1808P-BRU4/NFE-W</u>	
<u>FCS1-1805C-ARU4/FE-W</u>	40	<u>FCS2-1808C-ARU4/FE-W</u>	
<u>FCS1-1805C-BRU4/FE-W</u>	78	<u>FCS2-1808C-BRU4/FE-W</u>	
<u>FCS1-1805C-ARU4/NFE-W</u>	40	<u>FCS2-1808C-ARU4/NFE-W</u>	
<u>FCS1-1805C-BRU4/NFE-W</u>	78	<u>FCS2-1808C-BRU4/NFE-W</u>	

xxxx-xxxx-xxxx/FE	Target material: Ferrous
xxxx-xxxx-xxxx/NFE	

Approx.94 g	Approx.91 g
-------------	-------------

Note:
Coming Soon : Part numbers with underline

M 18	
●	
5 mm	
SUS 303 stainless steel	



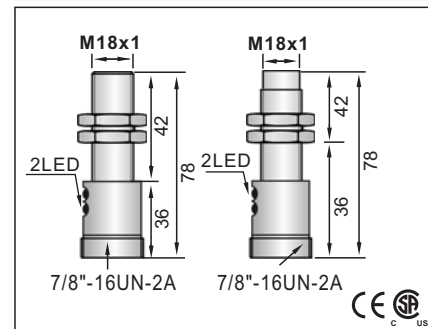
10-30VDC	
<10%	
<10mA	
200mA	
<0.01mA	
-	
-	
<1.5V	
1KHZ	
0.2ms/0.2ms	
<15%(Sr)	
<1.0%(Sr)	
IP67	
-25 °C - +70 °C	
<10%(Sr)	
YES	
220mA	
160	
RFI>3V/m / EFT>1KV / ESD>4KV (contact)	
IEC 60947-5-2,Part 7.4.1 / IEC 60947-5-2,Part 7.4.2	
SUS 303 stainless steel	

<u>FCS1-1805N-ARU4/2/FE-W</u>	33
<u>FCS1-1805N-BRU4/2/FE-W</u>	34
<u>FCS1-1805P-ARU4/2/FE-W</u>	35
<u>FCS1-1805P-BRU4/2/FE-W</u>	36
<u>FCS1-1805N-ARU4/2/NFE-W</u>	33
<u>FCS1-1805N-BRU4/2/NFE-W</u>	34
<u>FCS1-1805P-ARU4/2/NFE-W</u>	35
<u>FCS1-1805P-BRU4/2/NFE-W</u>	36
<u>FCS1-1805C-ARU4/2/FE-W</u>	40
<u>FCS1-1805C-BRU4/2/FE-W</u>	78
<u>FCS1-1805C-ARU4/2/NFE-W</u>	40
<u>FCS1-1805C-BRU4/2/NFE-W</u>	78

Correction factors					
Series	Mild steel	Stainless steel	Aluminum	Copper	Brass
FE	1	0.7-0.9	0	0	0
NFE	0	0	1	1.1	0.9

Approx.94 g

M 18	
●	○
5 mm	8 mm
SUS 303 stainless steel	



10-30VDC	
<10%	
<10mA	
200mA	
<0.01mA	
-	
-	
<1.5V	
1kHZ	500HZ
0.2ms/0.2ms	0.5ms/0.5ms
<15%(Sr)	
<1.0%(Sr)	
IP67	
-25 °C - +70 °C	
<10%(Sr)	
YES	
220mA	
160	
RFI>3V/m / EFT>1KV / ESD>4KV (contact)	
IEC 60947-5-2,Part 7.4.1 / IEC 60947-5-2,Part 7.4.2	
SUS 303 stainless steel	

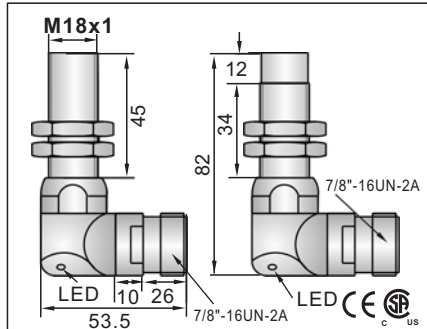
<u>FCS1-1805N-AZU4/2/FE-W</u>	41	<u>FCS2-1808N-AZU4/2/FE-W</u>
<u>FCS1-1805N-BZU4/2/FE-W</u>	42	<u>FCS2-1808N-BZU4/2/FE-W</u>
<u>FCS1-1805P-AZU4/2/FE-W</u>	43	<u>FCS2-1808P-AZU4/2/FE-W</u>
<u>FCS1-1805P-BZU4/2/FE-W</u>	44	<u>FCS2-1808P-BZU4/2/FE-W</u>
<u>FCS1-1805N-AZU4/2/NFE-W</u>	41	<u>FCS2-1808N-AZU4/2/NFE-W</u>
<u>FCS1-1805N-BZU4/2/NFE-W</u>	42	<u>FCS2-1808N-BZU4/2/NFE-W</u>
<u>FCS1-1805P-AZU4/2/NFE-W</u>	43	<u>FCS2-1808P-AZU4/2/NFE-W</u>
<u>FCS1-1805P-BZU4/2/NFE-W</u>	44	<u>FCS2-1808P-BZU4/2/NFE-W</u>
<u>FCS1-1805C-AZU4/2/FE-W</u>	47	<u>FCS2-1808C-AZU4/2/FE-W</u>
<u>FCS1-1805C-BZU4/2/FE-W</u>	79	<u>FCS2-1808C-BZU4/2/FE-W</u>
<u>FCS1-1805C-AZU4/2/NFE-W</u>	47	<u>FCS2-1808C-AZU4/2/NFE-W</u>
<u>FCS1-1805C-BZU4/2/NFE-W</u>	79	<u>FCS2-1808C-BZU4/2/NFE-W</u>

Approx.94 g	Approx.91 g
-------------	-------------

Approx.94 g	Approx.91 g
-------------	-------------

DC METAL FACE FERROUS/NON-FERROUS SENSING (Teflon Coating)

M 18	
●	○
5 mm	8 mm
SUS 303 stainless steel	
●	

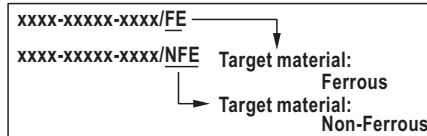


10-30VDC	
<10%	
<10mA	
200mA	
<0.01mA	
-	
-	
<1.5V	

1KHZ	500HZ
0.2ms/0.2ms	0.5ms/0.5ms
<15%(Sr)	
<1.0%(Sr)	
IP67	
-25 °C - +70 °C	
<10%(Sr)	
YES	
220mA	
160MT	

RFI>10V/m / EFT>1KV / ESD>8KV (contact)
IEC 60947-5-2,Part 7.4.1 / IEC 60947-5-2,Part 7.4.2
SUS 303 stainless steel

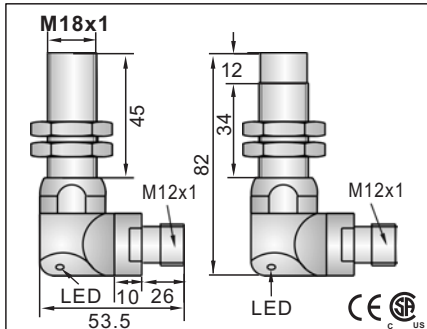
<u>FCS1-1805N-AZU4Y/FE-W</u>	41	<u>FCS2-1808N-AZU4Y/FE-W</u>	
<u>FCS1-1805N-BZU4Y/FE-W</u>	42	<u>FCS2-1808N-BZU4Y/FE-W</u>	
<u>FCS1-1805P-AZU4Y/FE-W</u>	43	<u>FCS2-1808P-AZU4Y/FE-W</u>	
<u>FCS1-1805P-BZU4Y/FE-W</u>	44	<u>FCS2-1808P-BZU4Y/FE-W</u>	
<u>FCS1-1805N-AZU4Y/NFE-W</u>	41	<u>FCS2-1808N-AZU4Y/NFE-W</u>	
<u>FCS1-1805N-BZU4Y/NFE-W</u>	42	<u>FCS2-1808N-BZU4Y/NFE-W</u>	
<u>FCS1-1805P-AZU4Y/NFE-W</u>	43	<u>FCS2-1808P-AZU4Y/NFE-W</u>	
<u>FCS1-1805P-BZU4Y/NFE-W</u>	44	<u>FCS2-1808P-BZU4Y/NFE-W</u>	
<u>FCS1-1805C-AZU4Y/FE-W</u>	47	<u>FCS2-1808C-AZU4Y/FE-W</u>	
<u>FCS1-1805C-BZU4Y/FE-W</u>	79	<u>FCS2-1808C-BZU4Y/FE-W</u>	
<u>FCS1-1805C-AZU4Y/NFE-W</u>	47	<u>FCS2-1808C-AZU4Y/NFE-W</u>	
<u>FCS1-1805C-BZU4Y/NFE-W</u>	79	<u>FCS2-1808C-BZU4Y/NFE-W</u>	



Approx.251 g	Approx.283 g
--------------	--------------

Note:
Coming Soon : Part numbers with underline

M 18	
●	○
5 mm	8 mm
SUS 303 stainless steel	
●	



10-30VDC	
<10%	
<10mA	
200mA	
<0.01mA	
-	
-	
<1.5V	

1KHZ	500HZ
0.2ms/0.2ms	0.5ms/0.5ms
<15%(Sr)	
<1.0%(Sr)	
IP67	
-25 °C - +70 °C	
<10%(Sr)	
YES	
220mA	
160MT	

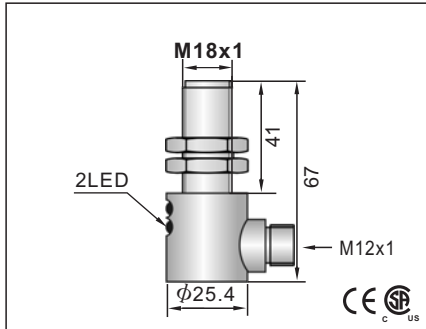
RFI>10V/m / EFT>1KV / ESD>8KV (contact)
IEC 60947-5-2,Part 7.4.1 / IEC 60947-5-2,Part 7.4.2
SUS 303 stainless steel

<u>FCS1-1805N-ARU4Y/FE-W</u>	33	<u>FCS2-1808N-ARU4Y/FE-W</u>	
<u>FCS1-1805N-BRU4Y/FE-W</u>	34	<u>FCS2-1808N-BRU4Y/FE-W</u>	
<u>FCS1-1805P-ARU4Y/FE-W</u>	35	<u>FCS2-1808P-ARU4Y/FE-W</u>	
<u>FCS1-1805P-BRU4Y/FE-W</u>	36	<u>FCS2-1808P-BRU4Y/FE-W</u>	
<u>FCS1-1805N-ARU4Y/NFE-W</u>	33	<u>FCS2-1808N-ARU4Y/NFE-W</u>	
<u>FCS1-1805N-BRU4Y/NFE-W</u>	34	<u>FCS2-1808N-BRU4Y/NFE-W</u>	
<u>FCS1-1805P-ARU4Y/NFE-W</u>	35	<u>FCS2-1808P-ARU4Y/NFE-W</u>	
<u>FCS1-1805P-BRU4Y/NFE-W</u>	36	<u>FCS2-1808P-BRU4Y/NFE-W</u>	
<u>FCS1-1805C-ARU4Y/FE-W</u>	40	<u>FCS2-1808C-ARU4Y/FE-W</u>	
<u>FCS1-1805C-BRU4Y/FE-W</u>	78	<u>FCS2-1808C-BRU4Y/FE-W</u>	
<u>FCS1-1805C-ARU4Y/NFE-W</u>	40	<u>FCS2-1808C-ARU4Y/NFE-W</u>	
<u>FCS1-1805C-BRU4Y/NFE-W</u>	78	<u>FCS2-1808C-BRU4Y/NFE-W</u>	

Correction factors					
Series	Mild steel	Stainless steel	Aluminum	Copper	Brass
FE	1	0.7-0.9	0	0	0
NFE	0	0	1	1.1	0.9

Approx.251 g	Approx.283 g
--------------	--------------

M 18	
●	
5 mm	
SUS 303 stainless steel	
●	



10-30VDC	
<10%	
<10mA	
200mA	
<0.01mA	
-	
-	
<1.5V	

1KHZ	
0.2ms/0.2ms	
<15%(Sr)	
<1.0%(Sr)	
IP67	
-25 °C - +70 °C	
<10%(Sr)	
YES	
220mA	
160MT	

RFI>10V/m / EFT>1KV / ESD>8KV (contact)
IEC 60947-5-2,Part 7.4.1 / IEC 60947-5-2,Part 7.4.2
SUS 303 stainless steel

<u>FCS1-1805N-ARU4Y/2/FE-W</u>	33
<u>FCS1-1805N-BRU4Y/2/FE-W</u>	34
<u>FCS1-1805P-ARU4Y/2/FE-W</u>	35
<u>FCS1-1805P-BRU4Y/2/FE-W</u>	36
<u>FCS1-1805N-ARU4Y/2/NFE-W</u>	33
<u>FCS1-1805N-BRU4Y/2/NFE-W</u>	34
<u>FCS1-1805P-ARU4Y/2/NFE-W</u>	35
<u>FCS1-1805P-BRU4Y/2/NFE-W</u>	36
<u>FCS1-1805C-ARU4Y/2/FE-W</u>	40
<u>FCS1-1805C-BRU4Y/2/FE-W</u>	78
<u>FCS1-1805C-ARU4Y/2/NFE-W</u>	40
<u>FCS1-1805C-BRU4Y/2/NFE-W</u>	78

Approx.94 g

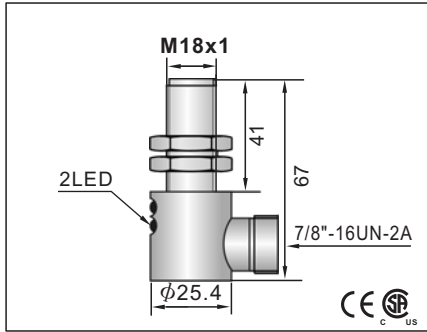
Approx.94 g

DC METAL FACE FERROUS/NON-FERROUS SENSING SENSOR

M18、M30

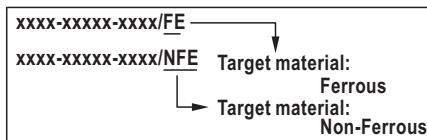
DC METAL FACE FERROUS/NON-FERROUS SENSING (Teflon Coating)

M 18
●
5 mm
SUS 303 stainless steel
●



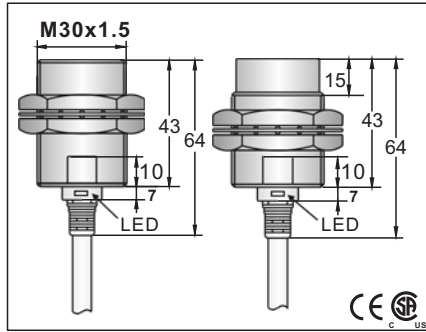
10-30VDC
<10%
<10mA
200mA
<0.01mA
-
-
<1.5V
1KHZ
0.2ms/0.2ms
<15%(Sr)
<1.0%(Sr)
IP67
-25 °C - +70 °C
<10%(Sr)
YES
220mA
160MT
RFI>10V/m / EFT>1KV / ESD>8KV (contact)
IEC 60947-5-2,Part 7.4.1 / IEC 60947-5-2,Part 7.4.2
SUS 303 stainless steel

FCS1-1805N-AZU4Y/2/FE-W	41
FCS1-1805N-BZU4Y/2/FE-W	42
FCS1-1805P-AZU4Y/2/FE-W	43
FCS1-1805P-BZU4Y/2/FE-W	44
FCS1-1805N-AZU4Y/2/NFE-W	41
FCS1-1805N-BZU4Y/2/NFE-W	42
FCS1-1805P-AZU4Y/2/NFE-W	43
FCS1-1805P-BZU4Y/2/NFE-W	44
FCS1-1805C-AZU4Y/2/FE-W	47
FCS1-1805C-BZU4Y/2/FE-W	79
FCS1-1805C-AZU4Y/2/NFE-W	47
FCS1-1805C-BZU4Y/2/NFE-W	79



Approx.98 g

M 30
●
10 mm
○
15 mm
SUS 303 stainless steel
●



10-30VDC
<10%
<10mA
200mA
<0.01mA
-
-
<1.5V
300HZ
150HZ
0.5ms/0.5ms
1.0ms/1.0ms
<15%(Sr)
<1.0%(Sr)
IP67
-25 °C - +70 °C
<10%(Sr)
YES
220mA
160MT
RFI>10V/m / EFT>1KV / ESD>8KV (contact)
IEC 60947-5-2,Part 7.4.1 / IEC 60947-5-2,Part 7.4.2
SUS 303 stainless steel

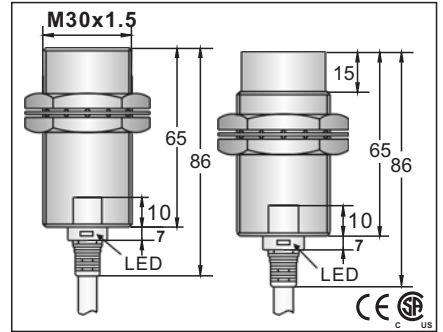
FCS1-3010N-A3S2/FE-W	1	FCS2-3015N-A3S2/FE-W
FCS1-3010N-B3S2/FE-W	2	FCS2-3015N-B3S2/FE-W
FCS1-3010P-A3S2/FE-W	3	FCS2-3015P-A3S2/FE-W
FCS1-3010P-B3S2/FE-W	4	FCS2-3015P-B3S2/FE-W
FCS1-3010N-A3S2/NFE-W	1	FCS2-3015N-A3S2/NFE-W
FCS1-3010N-B3S2/NFE-W	2	FCS2-3015N-B3S2/NFE-W
FCS1-3010P-A3S2/NFE-W	3	FCS2-3015P-A3S2/NFE-W
FCS1-3010P-B3S2/NFE-W	4	FCS2-3015P-B3S2/NFE-W
FCS1-3010C-A2S2/FE-W	7	FCS2-3015C-A3S2/FE-W
FCS1-3010C-B2S2/FE-W	8	FCS2-3015C-B3S2/FE-W
FCS1-3010C-A2S2/NFE-W	7	FCS2-3015C-A3S2/NFE-W
FCS1-3010C-B2S2/NFE-W	8	FCS2-3015C-B3S2/NFE-W

Correction factors

Series	Mild steel	Stainless steel	Aluminum	Copper	Brass
FE	1	0.7-0.9	0	0	0
NFE	0	0	1	1.1	0.9

5.8φ 3x0.5
Approx.217 g
Approx.207 g

M 30
●
10 mm
○
15 mm
SUS 303 stainless steel
●



10-30VDC
<10%
<10mA
200mA
<0.01mA
-
-
<1.5V
300HZ
150HZ
0.5ms/0.5ms
1.0ms/1.0ms
<15%(Sr)
<1.0%(Sr)
IP67
-25 °C - +70 °C
<10%(Sr)
YES
220mA
160MT
RFI>10V/m / EFT>1KV / ESD>8KV (contact)
IEC 60947-5-2,Part 7.4.1 / IEC 60947-5-2,Part 7.4.2
SUS 303 stainless steel

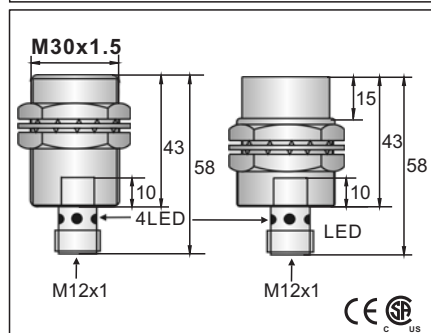
FCS1-3010N-A3U2/FE-W	1	FCS2-3015N-A3U2/FE-W
FCS1-3010N-B3U2/FE-W	2	FCS2-3015N-B3U2/FE-W
FCS1-3010P-A3U2/FE-W	3	FCS2-3015P-A3U2/FE-W
FCS1-3010P-B3U2/FE-W	4	FCS2-3015P-B3U2/FE-W
FCS1-3010N-A3U2/NFE-W	1	FCS2-3015N-A3U2/NFE-W
FCS1-3010N-B3U2/NFE-W	2	FCS2-3015N-B3U2/NFE-W
FCS1-3010P-A3U2/NFE-W	3	FCS2-3015P-A3U2/NFE-W
FCS1-3010P-B3U2/NFE-W	4	FCS2-3015P-B3U2/NFE-W
FCS1-3010C-A2U2/FE-W	7	FCS2-3015C-A2U2/FE-W
FCS1-3010C-B2U2/FE-W	8	FCS2-3015C-B2U2/FE-W
FCS1-3010C-A2U2/NFE-W	7	FCS2-3015C-A2U2/NFE-W
FCS1-3010C-B2U2/NFE-W	8	FCS2-3015C-B2U2/NFE-W

5.8φ 3x0.5
Approx.227 g
Approx.217 g

Note:
Coming Soon : Part numbers with underline

DC METAL FACE FERROUS/NON-FERROUS SENSING (Teflon Coating)

M 30	
●	○
10 mm	15 mm
SUS 303 stainless steel	
●	



10-30VDC	
<10%	
<10mA	
200mA	
<0.01mA	
-	
-	
<1.5V	
300HZ	150HZ
0.5ms/0.5ms	1ms/1ms
<15%(Sr)	
<1.0%(Sr)	
IP67	
-25°C - +70°C	
<10%(Sr)	
YES	
220mA	
160MT	
RFI>10V/m / EFT>1KV / ESD>8KV (contact)	
IEC 60947-5-2,Part 7.4.1 / IEC 60947-5-2,Part 7.4.2	
SUS 303 stainless steel	

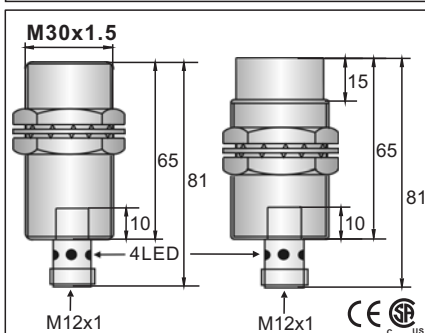
FCS1-3010N-ARS4/FE-W	33	FCS2-3015N-ARS4/FE-W
FCS1-3010N-BRS4/FE-W	34	FCS2-3015N-BRS4/FE-W
FCS1-3010P-ARS4/FE-W	35	FCS2-3015P-ARS4/FE-W
FCS1-3010P-BRS4/FE-W	36	FCS2-3015P-BRS4/FE-W
FCS1-3010N-ARS4/NFE-W	33	FCS2-3015N-ARS4/NFE-W
FCS1-3010N-BRS4/NFE-W	34	FCS2-3015N-BRS4/NFE-W
FCS1-3010P-ARS4/NFE-W	35	FCS2-3015P-ARS4/NFE-W
FCS1-3010P-BRS4/NFE-W	36	FCS2-3015P-BRS4/NFE-W
FCS1-3010C-ARS4/FE-W	40	FCS2-3015C-ARS4/FE-W
FCS1-3010C-BRS4/FE-W	78	FCS2-3015C-BRS4/FE-W
FCS1-3010C-ARS4/NFE-W	40	FCS2-3015C-ARS4/NFE-W
FCS1-3010C-BRS4/NFE-W	78	FCS2-3015C-BRS4/NFE-W

xxxx-xxxx-xxxx/FE	Target material: Ferrous
xxxx-xxxx-xxxx/NFE	

Approx.111 g	Approx.121 g
--------------	--------------

Note:
Coming Soon : Part numbers with underline

M 30	
●	○
10 mm	15 mm
SUS 303 stainless steel	
●	



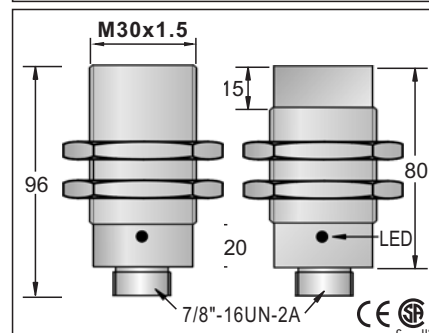
10-30VDC	
<10%	
<10mA	
200mA	
<0.01mA	
-	
-	
<1.5V	
300HZ	150HZ
0.5ms/0.5ms	1ms/1ms
<15%(Sr)	
<1.0%(Sr)	
IP67	
-25°C - +70°C	
<10%(Sr)	
YES	
220mA	
160MT	
RFI>10V/m / EFT>1KV / ESD>8KV (contact)	
IEC 60947-5-2,Part 7.4.1 / IEC 60947-5-2,Part 7.4.2	
SUS 303 stainless steel	

FCS1-3010N-ARU4/FE-W	33	FCS2-3015N-ARU4/FE-W
FCS1-3010N-BRU4/FE-W	34	FCS2-3015N-BRU4/FE-W
FCS1-3010P-ARU4/FE-W	35	FCS2-3015P-ARU4/FE-W
FCS1-3010P-BRU4/FE-W	36	FCS2-3015P-BRU4/FE-W
FCS1-3010N-ARU4/NFE-W	33	FCS2-3015N-ARU4/NFE-W
FCS1-3010N-BRU4/NFE-W	34	FCS2-3015N-BRU4/NFE-W
FCS1-3010P-ARU4/NFE-W	35	FCS2-3015P-ARU4/NFE-W
FCS1-3010P-BRU4/NFE-W	36	FCS2-3015P-BRU4/NFE-W
FCS1-3010C-ARU4/FE-W	40	FCS2-3015C-ARU4/FE-W
FCS1-3010C-BRU4/FE-W	78	FCS2-3015C-BRU4/FE-W
FCS1-3010C-ARU4/NFE-W	40	FCS2-3015C-ARU4/NFE-W
FCS1-3010C-BRU4/NFE-W	78	FCS2-3015C-BRU4/NFE-W

Correction factors					
Series	Mild steel	Stainless steel	Aluminum	Copper	Brass
FE	1	0.7-0.9	0	0	0
NFE	0	0	1	1.1	0.9

Approx.187 g	Approx.179 g
--------------	--------------

M 30	
●	○
10 mm	15 mm
SUS 303 stainless steel	
●	



10-30VDC	
<10%	
<10mA	
200mA	
<0.01mA	
-	
-	
<1.5V	
300HZ	150HZ
0.5ms/0.5ms	1ms/1ms
<15%(Sr)	
<1.0%(Sr)	
IP67	
-25°C - +70°C	
<10%(Sr)	
YES	
220mA	
160MT	
RFI>10V/m / EFT>1KV / ESD>8KV (contact)	
IEC 60947-5-2,Part 7.4.1 / IEC 60947-5-2,Part 7.4.2	
SUS 303 stainless steel	

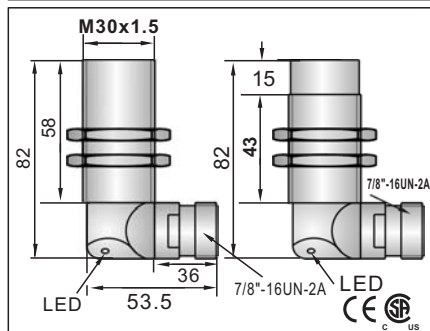
FCS1-3010N-AZU4/FE-W	41	FCS2-3015N-AZU4/FE-W
FCS1-3010N-BZU4/FE-W	42	FCS2-3015N-BZU4/FE-W
FCS1-3010P-AZU4/FE-W	43	FCS2-3015P-AZU4/FE-W
FCS1-3010P-BZU4/FE-W	44	FCS2-3015P-BZU4/FE-W
FCS1-3010N-AZU4/NFE-W	41	FCS2-3015N-AZU4/NFE-W
FCS1-3010N-BZU4/NFE-W	42	FCS2-3015N-BZU4/NFE-W
FCS1-3010P-AZU4/NFE-W	43	FCS2-3015P-AZU4/NFE-W
FCS1-3010P-BZU4/NFE-W	44	FCS2-3015P-BZU4/NFE-W
FCS1-3010C-AZU4/FE-W	47	FCS2-3015C-AZU4/FE-W
FCS1-3010C-BZU4/FE-W	79	FCS2-3015C-BZU4/FE-W
FCS1-3010C-AZU4/NFE-W	47	FCS2-3015C-AZU4/NFE-W
FCS1-3010C-BZU4/NFE-W	79	FCS2-3015C-BZU4/NFE-W

Approx.187 g	Approx.179 g
--------------	--------------

DC METAL FACE FERROUS/NON-FERROUS SENSING SENSOR

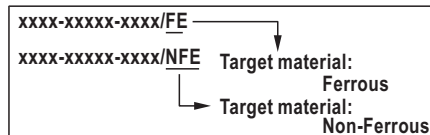
DC METAL FACE FERROUS/NON-FERROUS SENSING (Teflon Coating)

M 30	
●	○
10 mm	15 mm
SUS 303 stainless steel	



10-30VDC	
<10%	
<10mA	
200mA	
<0.01mA	
-	
-	
<1.5V	
300HZ	150HZ
0.5ms/0.5ms	1ms/1ms
<15%(Sr)	
<1.0%(Sr)	
IP67	
-25 °C - +70 °C	
<10%(Sr)	
YES	
220mA	
160MT	
RFI>10V/m / EFT>1KV / ESD>8KV (contact)	
IEC 60947-5-2,Part 7.4.1 / IEC 60947-5-2,Part 7.4.2	
SUS 303 stainless steel	

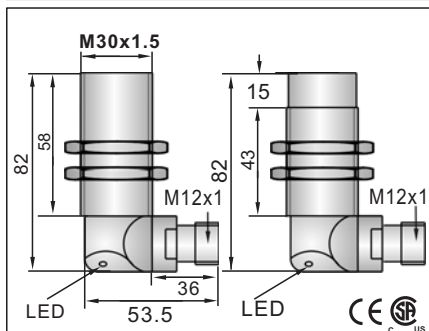
FCS1-3010N-AZU4Y/FE-W	41	FCS2-3015N-AZU4Y/FE-W	
FCS1-3010N-BZU4Y/FE-W	42	FCS2-3015N-BZU4Y/FE-W	
FCS1-3010P-AZU4Y/FE-W	43	FCS2-3015P-AZU4Y/FE-W	
FCS1-3010P-BZU4Y/FE-W	44	FCS2-3015P-BZU4Y/FE-W	
FCS1-3010N-AZU4Y/NFE-W	41	FCS2-3015N-AZU4Y/NFE-W	
FCS1-3010N-BZU4Y/NFE-W	42	FCS2-3015N-BZU4Y/NFE-W	
FCS1-3010P-AZU4Y/NFE-W	43	FCS2-3015P-AZU4Y/NFE-W	
FCS1-3010P-BZU4Y/NFE-W	44	FCS2-3015P-BZU4Y/NFE-W	
FCS1-3010C-AZU4Y/FE-W	47	FCS2-3015C-AZU4Y/FE-W	
FCS1-3010C-BZU4Y/FE-W	79	FCS2-3015C-BZU4Y/FE-W	
FCS1-3010C-AZU4Y/NFE-W	47	FCS2-3015C-AZU4Y/NFE-W	
FCS1-3010C-BZU4Y/NFE-W	79	FCS2-3015C-BZU4Y/NFE-W	



Approx.311 g	Approx.356 g
--------------	--------------

Note:
Coming Soon : Part numbers with underline

M 30	
●	○
10 mm	15 mm
SUS 303 stainless steel	



10-30VDC	
<10%	
<10mA	
200mA	
<0.01mA	
-	
-	
<1.5V	
0.5ms/0.5ms	1ms/1ms
300HZ	150HZ
<15%(Sr)	
<1.0%(Sr)	
IP67	
-25 °C - +70 °C	
<10%(Sr)	
YES	
220mA	
160MT	
RFI>10V/m / EFT>1KV / ESD>8KV (contact)	
IEC 60947-5-2,Part 7.4.1 / IEC 60947-5-2,Part 7.4.2	
SUS 303 stainless steel	

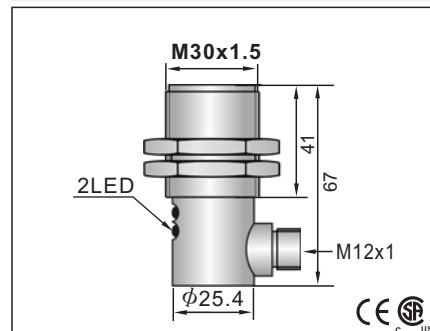
FCS1-3010N-ARU4Y/FE-W	33	FCS2-3015N-ARU4Y/FE-W	
FCS1-3010N-BRU4Y/FE-W	34	FCS2-3015N-BRU4Y/FE-W	
FCS1-3010P-ARU4Y/FE-W	35	FCS2-3015P-ARU4Y/FE-W	
FCS1-3010P-BRU4Y/FE-W	36	FCS2-3015P-BRU4Y/FE-W	
FCS1-3010N-ARU4Y/NFE-W	33	FCS2-3015N-ARU4Y/NFE-W	
FCS1-3010N-BRU4Y/NFE-W	34	FCS2-3015N-BRU4Y/NFE-W	
FCS1-3010P-ARU4Y/NFE-W	35	FCS2-3015P-ARU4Y/NFE-W	
FCS1-3010P-BRU4Y/NFE-W	36	FCS2-3015P-BRU4Y/NFE-W	
FCS1-3010C-ARU4Y/FE-W	40	FCS2-3015C-ARU4Y/FE-W	
FCS1-3010C-BRU4Y/FE-W	78	FCS2-3015C-BRU4Y/FE-W	
FCS1-3010C-ARU4Y/NFE-W	40	FCS2-3015C-ARU4Y/NFE-W	
FCS1-3010C-BRU4Y/NFE-W	78	FCS2-3015C-BRU4Y/NFE-W	

Correction factors

Series	Mild steel	Stainless steel	Aluminum	Copper	Brass
FE	1	0.7-0.9	0	0	0
NFE	0	0	1	1.1	0.9

Approx.311 g	Approx.356 g
--------------	--------------

M 30	
●	
10 mm	
SUS 303 stainless steel	



10-30VDC	
<10%	
<10mA	
200mA	
<0.01mA	
-	
-	
<1.5V	
0.5ms/0.5ms	1ms/1ms
300HZ	150HZ
<15%(Sr)	
<1.0%(Sr)	
IP67	
-25 °C - +70 °C	
<10%(Sr)	
YES	
220mA	
160MT	
RFI>10V/m / EFT>1KV / ESD>8KV (contact)	
IEC 60947-5-2,Part 7.4.1 / IEC 60947-5-2,Part 7.4.2	
SUS 303 stainless steel	

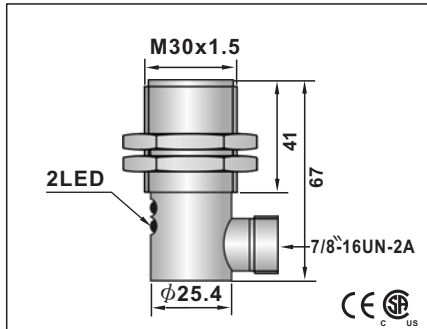
FCS1-3010N-ARU4Y/2/FE-W	33
FCS1-3010N-BRU4Y/2/FE-W	34
FCS1-3010P-ARU4Y/2/FE-W	35
FCS1-3010P-BRU4Y/2/FE-W	36
FCS1-3010N-ARU4Y/2/NFE-W	33
FCS1-3010N-BRU4Y/2/NFE-W	34
FCS1-3010P-ARU4Y/2/NFE-W	35
FCS1-3010P-BRU4Y/2/NFE-W	36
FCS1-3010C-ARU4Y/2/FE-W	40
FCS1-3010C-BRU4Y/2/FE-W	78
FCS1-3010C-ARU4Y/2/NFE-W	40
FCS1-3010C-BRU4Y/2/NFE-W	78

Approx.250 g

DC METAL FACE FERROUS/NON-FERROUS SENSING SENSOR

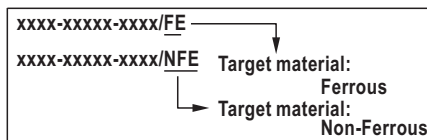
DC METAL FACE FERROUS/NON-FERROUS SENSING (Teflon Coating)

M 30
●
10 mm
SUS 303 stainless steel
●



10-30VDC
<10%
<10mA
200mA
<0.01mA
-
-
<1.5V
0.5ms/0.5ms
300HZ
<15%(Sr)
<1.0%(Sr)
IP67
-25 °C - +70 °C
<10%(Sr)
YES
220mA
160MT
RFI>10V/m / EFT>1KV / ESD>8KV (contact)
IEC 60947-5-2,Part 7.4.1 / IEC 60947-5-2,Part 7.4.2
SUS 303 stainless steel

<u>FCS1-3010N-AZU4Y/2/FE-W</u>	41
<u>FCS1-3010N-BZU4Y/2/FE-W</u>	42
<u>FCS1-3010P-AZU4Y/2/FE-W</u>	43
<u>FCS1-3010P-BZU4Y/2/FE-W</u>	44
<u>FCS1-3010N-AZU4Y/2/NFE-W</u>	41
<u>FCS1-3010N-BZU4Y/2/NFE-W</u>	42
<u>FCS1-3010P-AZU4Y/2/NFE-W</u>	43
<u>FCS1-3010P-BZU4Y/2/NFE-W</u>	44
<u>FCS1-3010C-AZU4Y/2/FE-W</u>	47
<u>FCS1-3010C-BZU4Y/2/FE-W</u>	79
<u>FCS1-3010C-AZU4Y/2/NFE-W</u>	47
<u>FCS1-3010C-BZU4Y/2/NFE-W</u>	79



Approx.250 g

Note:
Coming Soon : Part numbers with underline

DC METAL FACE
FERROUS/NON-FERROUS SENSING SENSOR