

DC METAL FACE FERROUS/NON-FERROUS SENSING SENSOR

Diameter
● Shielded ○ non-Shielded
Switching Distance Sn mm
Housing Material
● With LED ○ Without LED

Dimensions (unit: mm)

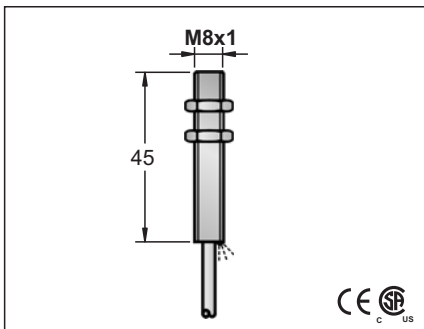
Operating Voltage	10-30VDC
Ripple	<10%
No Load Current	≤ 10mA
Max. Load Current	200mA
Leakge Current	<0.01mA
Surge Current	-
Min. Load Current	-
Voltage Drop	<1.5V
Switching Frequency	0 ...80 HZ
Response Time	0.1ms/0.1ms
Switching Hysteresis	<15%(Sr)
Repeat Accuracy	<1.0%(Sr)
Protection Category	IP67
Operating Temperature	-25 °C - +70 °C
Temperature Drift	<10%(Sr)
Short Circuit Protection	YES
Overload Trip Point	220mA
Time Delay Before Availability	<10ms
EMC	RFI>3V/m / EFT>1KV / ESD>4KV (contact)
Shock / Vibration	IEC 60947-5-2,Part 7.4.1 / IEC 60947-5-2,Part 7.4.2
Material Active Face	Stainless steel

DC 3 wire 10-30V NPN N.O. FERROUS ONLY SENSING	<u>FCS1-081.5N-A3U2/FE</u>	1
DC 3 wire 10-30V NPN N.C. FERROUS ONLY SENSING	<u>FCS1-081.5N-B3U2/FE</u>	2
DC 3 wire 10-30V PNP N.O. FERROUS ONLY SENSING	<u>FCS1-081.5P-A3U2/FE</u>	3
DC 3 wire 10-30V PNP N.C. FERROUS ONLY SENSING	<u>FCS1-081.5P-B3U2/FE</u>	4
DC 3 wire 10-30V NPN N.O. NON-FERROUS ONLY SENSING	<u>FCS1-081.5N-A3U2/NFE</u>	1
DC 3 wire 10-30V NPN N.C. NON-FERROUS ONLY SENSING	<u>FCS1-081.5N-B3U2/NFE</u>	2
DC 3 wire 10-30V PNP N.O. NON-FERROUS ONLY SENSING	<u>FCS1-081.5P-A3U2/NFE</u>	3
DC 3 wire 10-30V PNP N.C. NON-FERROUS ONLY SENSING	<u>FCS1-081.5P-B3U2/NFE</u>	4
DC 2 wire 10-60V N.O. FERROUS ONLY SENSING	<u>FCS1-081.5C-A2U2/FE</u>	7
DC 2 wire 10-60V N.C. FERROUS ONLY SENSING	<u>FCS1-081.5C-B2U2/FE</u>	8
DC 2 wire 10-60V N.O. NON-FERROUS ONLY SENSING	<u>FCS1-081.5C-A2U2/NFE</u>	7
DC 2 wire 10-60V N.C. NON-FERROUS ONLY SENSING	<u>FCS1-081.5C-B2U2/NFE</u>	8
AC/DC 2 wire 20-250V N.O. FERROUS ONLY SENSING		
AC/DC 2 wire 20-250V N.C. FERROUS ONLY SENSING		
AC/DC 2 wire 20-250V N.O. NON-FERROUS ONLY SENSING		
AC/DC 2 wire 20-250V N.C. NON-FERROUS ONLY SENSING		

Remark

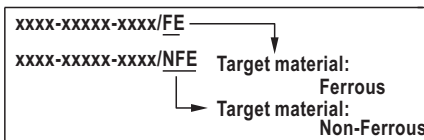
Cable 2M (PVC)	3 φ 3x0.15
Weight	Approx.33g

M 8
●
1.5 mm
Stainless steel
●



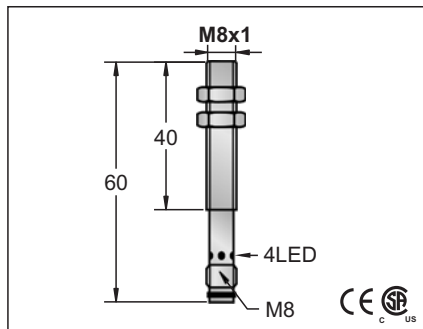
Operating Voltage	10-30VDC
Ripple	<10%
No Load Current	≤ 10mA
Max. Load Current	200mA
Leakge Current	<0.01mA
Surge Current	-
Min. Load Current	-
Voltage Drop	<1.5V
Switching Frequency	0 ...80 HZ
Response Time	0.1ms/0.1ms
Switching Hysteresis	<15%(Sr)
Repeat Accuracy	<1.0%(Sr)
Protection Category	IP67
Operating Temperature	-25 °C - +70 °C
Temperature Drift	<10%(Sr)
Short Circuit Protection	YES
Overload Trip Point	220mA
Time Delay Before Availability	<10ms
EMC	RFI>3V/m / EFT>1KV / ESD>4KV (contact)
Shock / Vibration	IEC 60947-5-2,Part 7.4.1 / IEC 60947-5-2,Part 7.4.2
Material Active Face	Stainless steel

DC 3 wire 10-30V NPN N.O. FERROUS ONLY SENSING	<u>FCS1-081.5N-A3U2/FE</u>	1
DC 3 wire 10-30V NPN N.C. FERROUS ONLY SENSING	<u>FCS1-081.5N-B3U2/FE</u>	2
DC 3 wire 10-30V PNP N.O. FERROUS ONLY SENSING	<u>FCS1-081.5P-A3U2/FE</u>	3
DC 3 wire 10-30V PNP N.C. FERROUS ONLY SENSING	<u>FCS1-081.5P-B3U2/FE</u>	4
DC 3 wire 10-30V NPN N.O. NON-FERROUS ONLY SENSING	<u>FCS1-081.5N-A3U2/NFE</u>	1
DC 3 wire 10-30V NPN N.C. NON-FERROUS ONLY SENSING	<u>FCS1-081.5N-B3U2/NFE</u>	2
DC 3 wire 10-30V PNP N.O. NON-FERROUS ONLY SENSING	<u>FCS1-081.5P-A3U2/NFE</u>	3
DC 3 wire 10-30V PNP N.C. NON-FERROUS ONLY SENSING	<u>FCS1-081.5P-B3U2/NFE</u>	4
DC 2 wire 10-60V N.O. FERROUS ONLY SENSING	<u>FCS1-081.5C-A2U2/FE</u>	7
DC 2 wire 10-60V N.C. FERROUS ONLY SENSING	<u>FCS1-081.5C-B2U2/FE</u>	8
DC 2 wire 10-60V N.O. NON-FERROUS ONLY SENSING	<u>FCS1-081.5C-A2U2/NFE</u>	7
DC 2 wire 10-60V N.C. NON-FERROUS ONLY SENSING	<u>FCS1-081.5C-B2U2/NFE</u>	8
AC/DC 2 wire 20-250V N.O. FERROUS ONLY SENSING		
AC/DC 2 wire 20-250V N.C. FERROUS ONLY SENSING		
AC/DC 2 wire 20-250V N.O. NON-FERROUS ONLY SENSING		
AC/DC 2 wire 20-250V N.C. NON-FERROUS ONLY SENSING		



Cable 2M (PVC)	3 φ 3x0.15
Weight	Approx.33g

M 8
●
1.5 mm
Stainless steel
●



Operating Voltage	10-30VDC
Ripple	<10%
No Load Current	≤ 10mA
Max. Load Current	200mA
Leakge Current	<0.01mA
Surge Current	-
Min. Load Current	-
Voltage Drop	<1.5V
Switching Frequency	0 ...80 HZ
Response Time	0.1ms/0.1ms
Switching Hysteresis	<15%(Sr)
Repeat Accuracy	<1.0%(Sr)
Protection Category	IP67
Operating Temperature	-25 °C - +70 °C
Temperature Drift	<10%(Sr)
Short Circuit Protection	YES
Overload Trip Point	220mA
Time Delay Before Availability	<10ms
EMC	RFI>3V/m / EFT>1KV / ESD>4KV (contact)
Shock / Vibration	IEC 60947-5-2,Part 7.4.1 / IEC 60947-5-2,Part 7.4.2
Material Active Face	Stainless steel

DC 3 wire 10-30V NPN N.O. FERROUS ONLY SENSING	<u>FCS1-081.5N-ACU3/FE</u>	29
DC 3 wire 10-30V NPN N.C. FERROUS ONLY SENSING	<u>FCS1-081.5N-BCU3/FE</u>	29
DC 3 wire 10-30V PNP N.O. FERROUS ONLY SENSING	<u>FCS1-081.5P-ACU3/FE</u>	30
DC 3 wire 10-30V PNP N.C. FERROUS ONLY SENSING	<u>FCS1-081.5P-BCU3/FE</u>	30
DC 3 wire 10-30V NPN N.O. NON-FERROUS ONLY SENSING	<u>FCS1-081.5N-ACU3/NFE</u>	29
DC 3 wire 10-30V NPN N.C. NON-FERROUS ONLY SENSING	<u>FCS1-081.5N-BCU3/NFE</u>	29
DC 3 wire 10-30V PNP N.O. NON-FERROUS ONLY SENSING	<u>FCS1-081.5P-ACU3/NFE</u>	30
DC 3 wire 10-30V PNP N.C. NON-FERROUS ONLY SENSING	<u>FCS1-081.5P-BCU3/NFE</u>	30
DC 2 wire 10-60V N.O. FERROUS ONLY SENSING	<u>FCS1-081.5C-ACU3/FE</u>	39
DC 2 wire 10-60V N.C. FERROUS ONLY SENSING	<u>FCS1-081.5C-BCU3/FE</u>	77
DC 2 wire 10-60V N.O. NON-FERROUS ONLY SENSING	<u>FCS1-081.5C-ACU3/NFE</u>	39
DC 2 wire 10-60V N.C. NON-FERROUS ONLY SENSING	<u>FCS1-081.5C-BCU3/NFE</u>	77
AC/DC 2 wire 20-250V N.O. FERROUS ONLY SENSING		
AC/DC 2 wire 20-250V N.C. FERROUS ONLY SENSING		
AC/DC 2 wire 20-250V N.O. NON-FERROUS ONLY SENSING		
AC/DC 2 wire 20-250V N.C. NON-FERROUS ONLY SENSING		

Correction factors					
Series	Mild steel	Stainless steel	Aluminum	Copper	Brass
FE	1	0.7-0.9	0	0	0
NFE	0	0	1	1.1	0.9

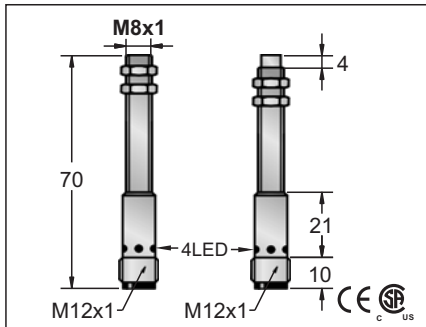
Cable 2M (PVC)	5.0 φ 44x0.1
Weight	Approx.32g

Note:

Coming Soon : Part numbers with underline
 In Preparation: Part numbers with a line through the middle

DC METAL FACE FERROUS/NON-FERROUS SENSING SENSOR

M 8
●
1.5 mm
Stainless steel
●

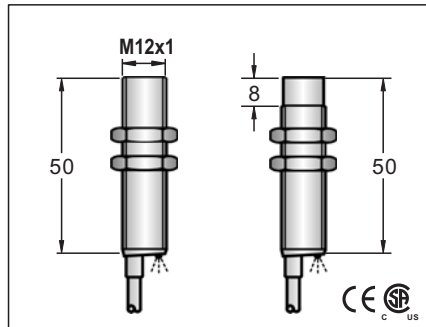


10-30VDC
<10%
≤ 10mA
200mA
<0.01mA
-
-
<1.5V
0 ...80 HZ
0.1ms/0.1ms
<15%(Sr)
<1.0%(Sr)
IP67
-25 °C - +70 °C
<10%(Sr)
YES
220mA
<10ms
RFI>3V/m / EFT>1KV / ESD>4KV (contact)
IEC 60947-5-2,Part 7.4.1 / IEC 60947-5-2,Part 7.4.2
Stainless steel

<u>FCS1-081.5N-ARU4/FE</u>	33
<u>FCS1-081.5N-BRU4/FE</u>	34
<u>FCS1-081.5P-ARU4/FE</u>	35
<u>FCS1-081.5P-BRU4/FE</u>	36
<u>FCS1-081.5N-ARU4/NFE</u>	33
<u>FCS1-081.5N-BRU4/NFE</u>	34
<u>FCS1-081.5P-ARU4/NFE</u>	35
<u>FCS1-081.5P-BRU4/NFE</u>	36
<u>FCS1-081.5C-ARU4/FE</u>	40
<u>FCS1-081.5C-BRU4/FE</u>	78
<u>FCS1-081.5C-ARU4/NFE</u>	40
<u>FCS1-081.5C-BRU4/NFE</u>	78

xxxx-xxxx-xxxx/FE
xxxx-xxxx-xxxx/NFE
Target material: Ferrous
Target material: Non-Ferrous
Approx.33 g

M 12
●
2 mm
○
4 mm
stainless steel
●

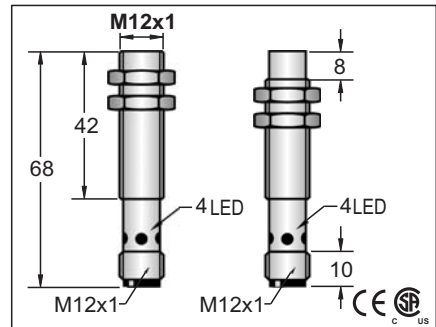


10-30VDC
<10%
<10mA
200mA
<0.01mA
-
-
<1.5V
2KHZ
0.1ms/0.1ms
1KHZ
0.2ms/0.2ms
<15%(Sr)
<1.0%(Sr)
IP67
-25 °C + 70 °C
<10%(Sr)
YES
220mA
<10ms
RFI>3V/m / EFT>1KV / ESD>4KV (contact)
IEC 60947-5-2,Part 7.4.1 / IEC 60947-5-2,Part 7.4.2
Stainless steel

<u>FCS1-1202N-A3U2/FE</u>	1	<u>FCS2-1204N-A3U2/FE</u>	33
<u>FCS1-1202N-B3U2/FE</u>	2	<u>FCS2-1204N-B3U2/FE</u>	34
<u>FCS1-1202P-A3U2/FE</u>	3	<u>FCS2-1204P-A3U2/FE</u>	35
<u>FCS1-1202P-B3U2/FE</u>	4	<u>FCS2-1204P-B3U2/FE</u>	36
<u>FCS1-1202N-A3U2/NFE</u>	1	<u>FCS2-1204N-A3U2/NFE</u>	33
<u>FCS1-1202N-B3U2/NFE</u>	2	<u>FCS2-1204N-B3U2/NFE</u>	34
<u>FCS1-1202P-A3U2/NFE</u>	3	<u>FCS2-1204P-A3U2/NFE</u>	35
<u>FCS1-1202P-B3U2/NFE</u>	4	<u>FCS2-1204P-B3U2/NFE</u>	36
<u>FCS1-1202C-A2U2/FE</u>	7	<u>FCS2-1204C-A2U2/FE</u>	40
<u>FCS1-1202C-B2U2/FE</u>	8	<u>FCS2-1204C-B2U2/FE</u>	78
<u>FCS1-1202C-A2U2/NFE</u>	7	<u>FCS2-1204C-A2U2/NFE</u>	40
<u>FCS1-1202C-B2U2/NFE</u>	8	<u>FCS2-1204C-B2U2/NFE</u>	78

Correction factors					
Series	Mild steel	Stainless steel	Aluminum	Copper	Brass
FE	1	0.7-0.9	0	0	0
NFE	0	0	1	1.1	0.9
4 φ 3x0.15					
approx.67 g			approx.65 g		

M 12
●
2 mm
○
4 mm
stainless steel
●



10-30VDC
<10%
<10mA
200mA
<0.01mA
-
-
<1.5V
2KHZ
0.1ms/0.1ms
1KHZ
0.2ms/0.2ms
<15%(Sr)
<1.0%(Sr)
IP67
-25 °C - +70 °C
<10%(Sr)
YES
220mA
<10ms
RFI>3V/m / EFT>1KV / ESD>4KV (contact)
IEC 60947-5-2,Part 7.4.1 / IEC 60947-5-2,Part 7.4.2
Stainless steel

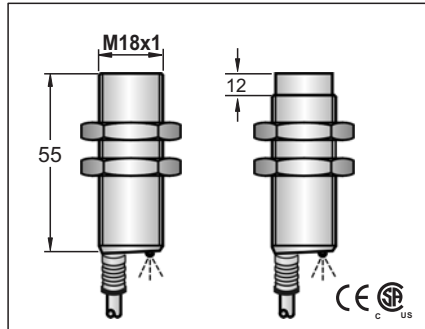
<u>FCS1-1202N-ARU4/FE</u>	33	<u>FCS2-1204N-ARU4/FE</u>	33
<u>FCS1-1202N-BRU4/FE</u>	34	<u>FCS2-1204N-BRU4/FE</u>	34
<u>FCS1-1202P-ARU4/FE</u>	35	<u>FCS2-1204P-ARU4/FE</u>	35
<u>FCS1-1202P-BRU4/FE</u>	36	<u>FCS2-1204P-BRU4/FE</u>	36
<u>FCS1-1202N-ARU4/NFE</u>	33	<u>FCS2-1204N-ARU4/NFE</u>	33
<u>FCS1-1202N-BRU4/NFE</u>	34	<u>FCS2-1204N-BRU4/NFE</u>	34
<u>FCS1-1202P-ARU4/NFE</u>	35	<u>FCS2-1204P-ARU4/NFE</u>	35
<u>FCS1-1202P-BRU4/NFE</u>	36	<u>FCS2-1204P-BRU4/NFE</u>	36
<u>FCS1-1202C-ARU4/FE</u>	40	<u>FCS2-1204C-ARU4/FE</u>	40
<u>FCS1-1202C-BRU4/FE</u>	78	<u>FCS2-1204C-BRU4/FE</u>	78
<u>FCS1-1202C-ARU4/NFE</u>	40	<u>FCS2-1204C-ARU4/NFE</u>	40
<u>FCS1-1202C-BRU4/NFE</u>	78	<u>FCS2-1204C-BRU4/NFE</u>	78

approx.31 g		approx.30 g	
-------------	--	-------------	--

Note:
Coming Soon : Part numbers with underline

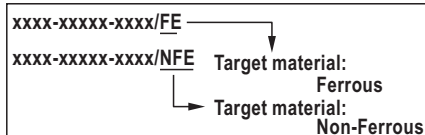
DC METAL FACE FERROUS/NON-FERROUS SENSING SENSOR

M 18	
●	○
5 mm	8 mm
stainless steel	



10-30VDC	
<10%	
<10mA	
200mA	
<0.01mA	
-	
-	
<1.5V	
1KHZ	500HZ
0.2ms/0.2ms	0.5ms/0.5ms
<15%(Sr)	
<1.0%(Sr)	
IP67	
-25°C - +70°C	
<10%(Sr)	
YES	
220mA	
<10ms	
RFI>3V/m / EFT>1KV / ESD>4KV (contact)	
IEC 60947-5-2, Part 7.4.1 / IEC 60947-5-2, Part 7.4.2	
Stainless steel	

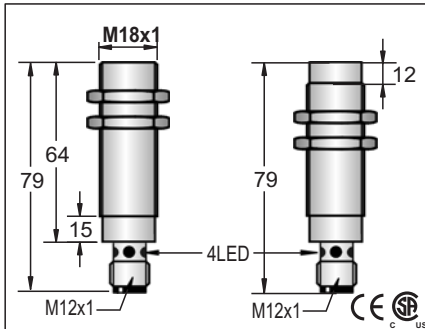
FCS1-1805N-A3U2/FE	1	FCS2-1808N-A3U2/FE
FCS1-1805N-B3U2/FE	2	FCS2-1808N-B3U2/FE
FCS1-1805P-A3U2/FE	3	FCS2-1808P-A3U2/FE
FCS1-1805P-B3U2/FE	4	FCS2-1808P-B3U2/FE
FCS1-1805N-A3U2/NFE	1	FCS2-1808N-A3U2/NFE
FCS1-1805N-B3U2/NFE	2	FCS2-1808N-B3U2/NFE
FCS1-1805P-A3U2/NFE	3	FCS2-1808P-A3U2/NFE
FCS1-1805P-B3U2/NFE	4	FCS2-1808P-B3U2/NFE
FCS1-1805C-A2U2/FE	7	FCS2-1808C-A2U2/FE
FCS1-1805C-B2U2/FE	8	FCS2-1808C-B2U2/FE
FCS1-1805C-A2U2/NFE	7	FCS2-1808C-A2U2/NFE
FCS1-1805C-B2U2/NFE	8	FCS2-1808C-B2U2/NFE



5.0 φ44x0.1	
approx.153 g	approx.144 g

Note:
Coming Soon : Part numbers with underline

M 18	
●	○
5 mm	8 mm
stainless steel	



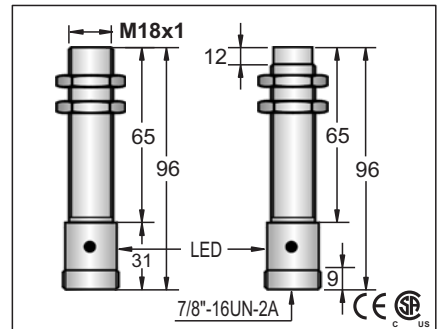
10-30VDC	
<10%	
<10mA	
200mA	
<0.01mA	
-	
-	
<1.5V	
1KHZ	500HZ
0.2ms/0.2ms	0.5ms/0.5ms
<15%(Sr)	
<1.0%(Sr)	
IP67	
-25°C - +70°C	
<10%(Sr)	
YES	
220mA	
<10ms	
RFI>3V/m / EFT>1KV / ESD>4KV (contact)	
IEC 60947-5-2, Part 7.4.1 / IEC 60947-5-2, Part 7.4.2	
Stainless steel	

FCS1-1805N-ARU4/FE	33	FCS2-1808N-ARU4/FE
FCS1-1805N-BRU4/FE	34	FCS2-1808N-BRU4/FE
FCS1-1805P-ARU4/FE	35	FCS2-1808P-ARU4/FE
FCS1-1805P-BRU4/FE	36	FCS2-1808P-BRU4/FE
FCS1-1805N-ARU4/NFE	33	FCS2-1808N-ARU4/NFE
FCS1-1805N-BRU4/NFE	34	FCS2-1808N-BRU4/NFE
FCS1-1805P-ARU4/NFE	35	FCS2-1808P-ARU4/NFE
FCS1-1805P-BRU4/NFE	36	FCS2-1808P-BRU4/NFE
FCS1-1805C-ARU4/FE	40	FCS2-1808C-ARU4/FE
FCS1-1805C-BRU4/FE	78	FCS2-1808C-BRU4/FE
FCS1-1805C-ARU4/NFE	40	FCS2-1808C-ARU4/NFE
FCS1-1805C-BRU4/NFE	78	FCS2-1808C-BRU4/NFE

Correction factors					
Series	Mild steel	Stainless steel	Aluminum	Copper	Brass
FE	1	0.7-0.9	0	0	0
NFE	0	0	1	1.1	0.9

approx.94 g		approx.91 g	
-------------	--	-------------	--

M 18	
●	○
5 mm	8 mm
stainless steel	



10-30VDC	
<10%	
<10mA	
200mA	
<0.01mA	
-	
-	
<1.5V	
1KHZ	500HZ
0.2ms/0.2ms	0.5ms/0.5ms
<15%(Sr)	
<1.0%(Sr)	
IP67	
-25°C - +70°C	
<10%(Sr)	
YES	
220mA	
<10ms	
RFI>3V/m / EFT>1KV / ESD>4KV (contact)	
IEC 60947-5-2, Part 7.4.1 / IEC 60947-5-2, Part 7.4.2	
Stainless steel	

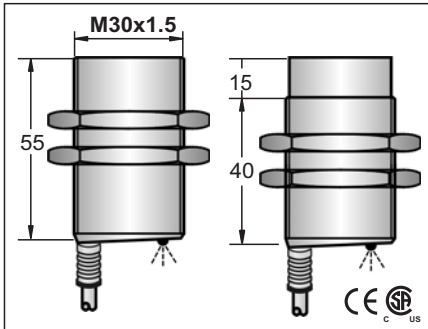
FCS1-1805N-AZU4/FE	41	FCS2-1808N-AZU4/FE
FCS1-1805N-BZU4/FE	42	FCS2-1808N-BZU4/FE
FCS1-1805P-AZU4/FE	43	FCS2-1808P-AZU4/FE
FCS1-1805P-BZU4/FE	44	FCS2-1808P-BZU4/FE
FCS1-1805N-AZU4/NFE	41	FCS2-1808N-AZU4/NFE
FCS1-1805N-BZU4/NFE	42	FCS2-1808N-BZU4/NFE
FCS1-1805P-AZU4/NFE	43	FCS2-1808P-AZU4/NFE
FCS1-1805P-BZU4/NFE	44	FCS2-1808P-BZU4/NFE
FCS1-1805C-AZU4/FE	47	FCS2-1808C-AZU4/FE
FCS1-1805C-BZU4/FE	79	FCS2-1808C-BZU4/FE
FCS1-1805C-AZU4/NFE	47	FCS2-1808C-AZU4/NFE
FCS1-1805C-BZU4/NFE	79	FCS2-1808C-BZU4/NFE

approx.94 g		approx.91 g	
-------------	--	-------------	--

DC METAL FACE FERROUS/NON-FERROUS SENSING SENSOR

DC METAL FACE FERROUS/NON-FERROUS SENSING SENSOR

M 30	
●	○
10 mm	15 mm
stainless steel	



10-30VDC	
<10%	
<10mA	
200mA	
<0.01mA	
-	
-	
<1.5V	
300HZ	150HZ
0.5ms/0.5ms	1ms/1ms
<15%(Sr)	
<1.0%(Sr)	
IP67	
-25°C - +70°C	
<10%(Sr)	
YES	
220mA	
<10ms	
RFI>3V/m / EFT>1KV / ESD>4KV (contact)	
IEC 60947-5-2, Part 7.4.1 / IEC 60947-5-2, Part 7.4.2	
Stainless steel	

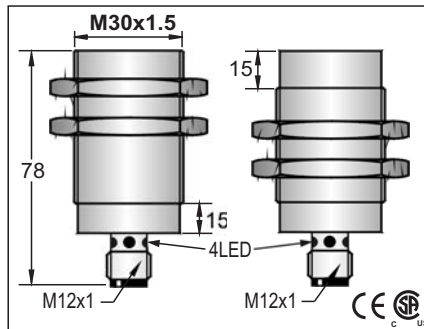
<u>FCS1-3010N-A3U2/FE</u>	1	<u>FCS2-3015N-A3U2/FE</u>	
<u>FCS1-3010N-B3U2/FE</u>	2	<u>FCS2-3015N-B3U2/FE</u>	
<u>FCS1-3010P-A3U2/FE</u>	3	<u>FCS2-3015P-A3U2/FE</u>	
<u>FCS1-3010P-B3U2/FE</u>	4	<u>FCS2-3015P-B3U2/FE</u>	
<u>FCS1-3010N-A3U2/NFE</u>	1	<u>FCS2-3015N-A3U2/NFE</u>	
<u>FCS1-3010N-B3U2/NFE</u>	2	<u>FCS2-3015N-B3U2/NFE</u>	
<u>FCS1-3010P-A3U2/NFE</u>	3	<u>FCS2-3015P-A3U2/NFE</u>	
<u>FCS1-3010P-B3U2/NFE</u>	4	<u>FCS2-3015P-B3U2/NFE</u>	
<u>FCS1-3010C-A2U2/FE</u>	7	<u>FCS2-3015C-A2U2/FE</u>	
<u>FCS1-3010C-B2U2/FE</u>	8	<u>FCS2-3015C-B2U2/FE</u>	
<u>FCS1-3010C-A2U2/NFE</u>	7	<u>FCS2-3015C-A2U2/NFE</u>	
<u>FCS1-3010C-B2U2/NFE</u>	8	<u>FCS2-3015C-B2U2/NFE</u>	

xxxx-xxxx-xxxx/FE	Target material: Ferrous
xxxx-xxxx-xxxx/NFE	

5.8 ∅ 3x0.5	
approx.217 g	approx.207 g

Note:
Coming Soon : Part numbers with underline

M 30	
●	○
10 mm	15 mm
stainless steel	



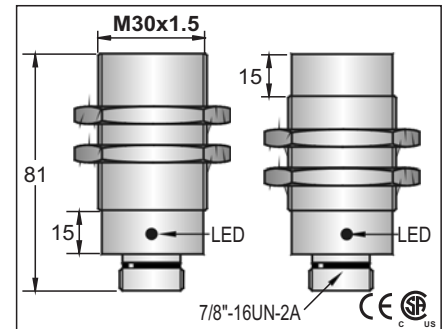
10-30VDC	
<10%	
<10mA	
200mA	
<0.01mA	
-	
-	
<1.5V	
300HZ	150HZ
0.5ms/0.5ms	1ms/1ms
<15%(Sr)	
<1.0%(Sr)	
IP67	
-25°C - +70°C	
<10%(Sr)	
YES	
220mA	
<10ms	
RFI>3V/m / EFT>1KV / ESD>4KV (contact)	
IEC 60947-5-2, Part 7.4.1 / IEC 60947-5-2, Part 7.4.2	
Stainless steel	

<u>FCS1-3010N-ARU4/FE</u>	33	<u>FCS2-3015N-ARU4/FE</u>	
<u>FCS1-3010N-BRU4/FE</u>	34	<u>FCS2-3015N-BRU4/FE</u>	
<u>FCS1-3010P-ARU4/FE</u>	35	<u>FCS2-3015P-ARU4/FE</u>	
<u>FCS1-3010P-BRU4/FE</u>	36	<u>FCS2-3015P-BRU4/FE</u>	
<u>FCS1-3010N-ARU4/NFE</u>	33	<u>FCS2-3015N-ARU4/NFE</u>	
<u>FCS1-3010N-BRU4/NFE</u>	34	<u>FCS2-3015N-BRU4/NFE</u>	
<u>FCS1-3010P-ARU4/NFE</u>	35	<u>FCS2-3015P-ARU4/NFE</u>	
<u>FCS1-3010P-BRU4/NFE</u>	36	<u>FCS2-3015P-BRU4/NFE</u>	
<u>FCS1-3010C-ARU4/FE</u>	40	<u>FCS2-3015C-ARU4/FE</u>	
<u>FCS1-3010C-BRU4/FE</u>	78	<u>FCS2-3015C-BRU4/FE</u>	
<u>FCS1-3010C-ARU4/NFE</u>	40	<u>FCS2-3015C-ARU4/NFE</u>	
<u>FCS1-3010C-BRU4/NFE</u>	78	<u>FCS2-3015C-BRU4/NFE</u>	

Correction factors					
Series	Mild steel	Stainless steel	Aluminum	Copper	Brass
FE	1	0.7-0.9	0	0	0
NFE	0	0	1	1.1	0.9

approx.187 g		approx.179 g	
--------------	--	--------------	--

M 30	
●	○
10 mm	15 mm
stainless steel	



10-30VDC	
<10%	
<10mA	
200mA	
<0.01mA	
-	
-	
<1.5V	
300HZ	150HZ
0.5ms/0.5ms	1ms/1ms
<15%(Sr)	
<1.0%(Sr)	
IP67	
-25°C - +70°C	
<10%(Sr)	
YES	
220mA	
<10ms	
RFI>3V/m / EFT>1KV / ESD>4KV (contact)	
IEC 60947-5-2, Part 7.4.1 / IEC 60947-5-2, Part 7.4.2	
Stainless steel	

<u>FCS1-3010N-AZU4/FE</u>	41	<u>FCS2-3015N-AZU4/FE</u>	
<u>FCS1-3010N-BZU4/FE</u>	42	<u>FCS2-3015N-BZU4/FE</u>	
<u>FCS1-3010P-AZU4/FE</u>	43	<u>FCS2-3015P-AZU4/FE</u>	
<u>FCS1-3010P-BZU4/FE</u>	44	<u>FCS2-3015P-BZU4/FE</u>	
<u>FCS1-3010N-AZU4/NFE</u>	41	<u>FCS2-3015N-AZU4/NFE</u>	
<u>FCS1-3010N-BZU4/NFE</u>	42	<u>FCS2-3015N-BZU4/NFE</u>	
<u>FCS1-3010P-AZU4/NFE</u>	43	<u>FCS2-3015P-AZU4/NFE</u>	
<u>FCS1-3010P-BZU4/NFE</u>	44	<u>FCS2-3015P-BZU4/NFE</u>	
<u>FCS1-3010C-AZU4/FE</u>	47	<u>FCS2-3015C-AZU4/FE</u>	
<u>FCS1-3010C-BZU4/FE</u>	79	<u>FCS2-3015C-BZU4/FE</u>	
<u>FCS1-3010C-AZU4/NFE</u>	47	<u>FCS2-3015C-AZU4/NFE</u>	
<u>FCS1-3010C-BZU4/NFE</u>	79	<u>FCS2-3015C-BZU4/NFE</u>	

approx.187 g		approx.179 g	
--------------	--	--------------	--