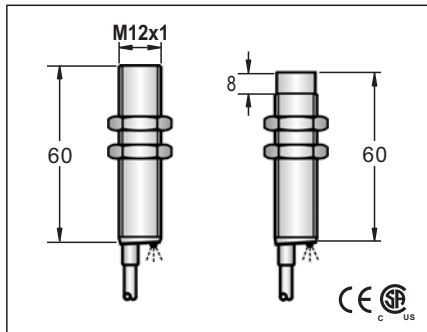


M12、M18

AC/DC METAL FACE INDUCTIVE PROXIMITY SWITCH

M 12	
●	○
2 mm	4 mm
stainless steel	

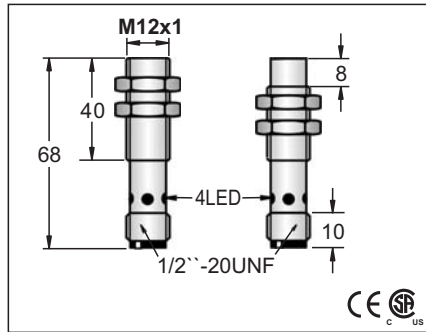


20-250 VAC, 50-60 Hz; 20-250 VDC	
DC RIPPLE <10%	
<2.5mA	
100mA	
<2.5mA	
2.2A for 20ms	
5mA	
<=10 VAC ; <=8 VDC	
25HZ AC; 40 Hz DC	
10ms/10ms	
<15%(Sr)	
<1.0% (Sr)	
IP67	
-25°C~+70°C	
<10% (Sr)	
YES	
-	
-	
RFI>3V/m / EFT>1KV / ESD>4KV (contact)	
IEC 60947-5-2,Part 7.4.1 / IEC 60947-5-2,Part 7.4.2	
Stainless steel	

<u>FCS1-1202U-A3L2</u>	11	<u>FCS2-1204U-A3L2</u>
<u>FCS1-1202U-B3L2</u>	12	<u>FCS2-1204U-B3L2</u>

4 φ 3x0.15	
Approx.77g	Approx.76g

M 12	
●	○
2 mm	4 mm
stainless steel	

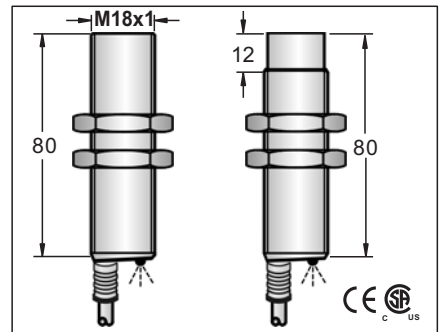


20-250 VAC, 50-60 Hz; 20-250 VDC	
DC RIPPLE <10%	
<2.5mA	
100mA	
<2.5mA	
2.2A for 20ms	
5mA	
<=10 VAC ; <=8 VDC	
25HZ AC; 40 Hz DC	
10ms/10ms	
<15%(Sr)	
<1.0% (Sr)	
IP67	
-25°C~+70°C	
<10% (Sr)	
YES	
-	
-	
RFI>3V/m / EFT>1KV / ESD>4KV (contact)	
IEC 60947-5-2,Part 7.4.1 / IEC 60947-5-2,Part 7.4.2	
Stainless steel	

<u>FCS1-1202U-AUL3</u>	56	<u>FCS2-1204U-AUL3</u>
<u>FCS1-1202U-BUL3</u>	56	<u>FCS2-1204U-BUL3</u>

approx.30g		approx.29g	
------------	--	------------	--

M 18	
●	○
5 mm	8 mm
stainless steel	



20-250 VAC, 50-60 Hz; 20-250 VDC	
DC RIPPLE <10%	
<2.5mA	
200mA	
<2.5mA	
2.2A for 20ms	
5mA	
<=10 VAC ; <=8 VDC	
25HZ AC; 40 Hz DC	
10ms/10ms	
<15%(Sr)	
<1.0% (Sr)	
IP67	
-25°C~+70°C	
<10% (Sr)	
YES	
-	
-	
RFI>3V/m / EFT>1KV / ESD>4KV (contact)	
IEC 60947-5-2,Part 7.4.1 / IEC 60947-5-2,Part 7.4.2	
Stainless steel	


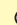
<u>FCS1-1805U-A3L2</u>	11	<u>FCS2-1808U-A3L2</u>
<u>FCS1-1805U-B3L2</u>	12	<u>FCS2-1808U-B3L2</u>

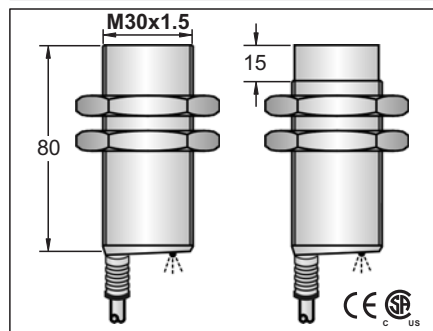
5.0 φ 44x0.1	
approx.161g	approx.160g

Note:
Coming Soon : Part numbers with underline

AC/DC METAL FACE
INDUCTIVE PROXIMITY SWITCH

AC/DC METAL FACE INDUCTIVE PROXIMITY SWITCH



M 30	
	
10 mm	15mm
stainless steel	

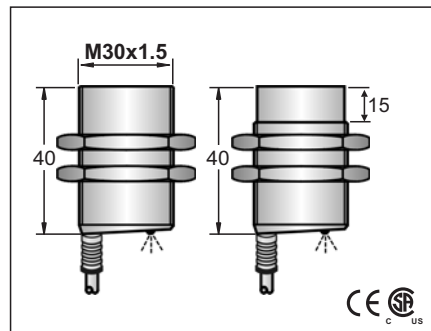


20-250 VAC, 50-60 Hz; 20-250 VDC
DC RIPPLE <10%
<2.5mA
200mA
<2.5mA
2.2A for 20ms
5mA
<=10 VAC :<=8 VDC
25HZ AC; 40 Hz DC
10ms/10ms
<15%(Sr)
<1.0% (Sr)
IP67
-25°C - + 70°C
<10% (Sr)
YES
-
-
RFI>3V/m / EFT>1KV / ESD>4KV (contact)
IEC 60947-5-2,Part 7.4.1 / IEC 60947-5-2,Part 7.4.2
Stainless steel

<u>FCS1-3010U-A3L2</u>	11	<u>FCS2-3015U-A3L2</u>
<u>FCS1-3010U-B3L2</u>	12	<u>FCS2-3015U-B3L2</u>

5.8 ϕ 3x0.5	
approx.247g	approx.237g



M 30	
	
10 mm	15 mm
stainless steel	

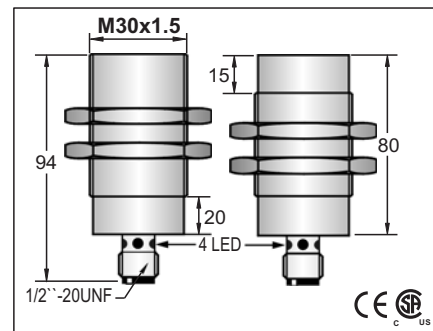


20-250 VAC, 50-60 Hz; 20-250 VDC
DC RIPPLE <10%
<2.5mA
200mA
<2.5mA
2.2A for 20ms
5mA
<=10 VAC :<=8 VDC
25HZ AC; 40 Hz DC
10ms/10ms
<15%(Sr)
<1.0% (Sr)
IP67
-25°C - + 70°C
<10% (Sr)
YES
-
-
RFI>3V/m / EFT>1KV / ESD>4KV (contact)
IEC 60947-5-2,Part 7.4.1 / IEC 60947-5-2,Part 7.4.2
Stainless steel

<u>FCS1-3010U-A3S2</u>	11	<u>FCS2-3015U-A3S2</u>
<u>FCS1-3010U-B3S2</u>	12	<u>FCS2-3015U-B3S2</u>

5.8 ϕ 3x0.5	
Approx.209 g	Approx.199 g

M 30	
	
10 mm	15 mm
stainless steel	



20-250 VAC, 50-60 Hz; 20-250 VDC
DC RIPPLE <10%
<2.5mA
200mA
<2.5mA
2.2A for 20ms
5mA
<=10 VAC :<=8 VDC
25HZ AC; 40 Hz DC
10ms/10ms
<15%(Sr)
<1.0% (Sr)
IP67
-25°C - +70°C
<10% (Sr)
YES
-
-
RFI>3V/m / EFT>1KV / ESD>4KV (contact)
IEC 60947-5-2,Part 7.4.1 / IEC 60947-5-2,Part 7.4.2
Stainless steel

<u>FCS1-3010U-AUL3</u>	56	<u>FCS2-3015U-AUL3</u>
<u>FCS1-3010U-BUL3</u>	56	<u>FCS2-3015U-BUL3</u>

5.8 ϕ 3x0.5	
approx.147g	approx.137g

Note:
Coming Soon : Part numbers with underline

