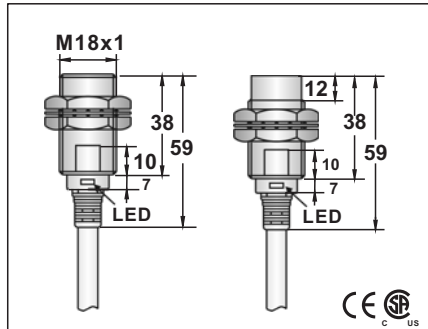


AC METAL FACE INDUCTIVE PROXIMITY SWITCH (Teflon Coating)

M 18	
●	○
5 mm	8 mm
Stainless steel	
●	

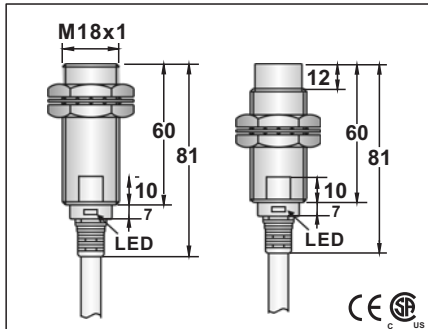


20-250VAC
-
<1.8mA
400mA
<1.8mA
5A(20ms)
5mA
<8VAC AT 400MA
<25HZ
10ms/10ms
<15%(Sr)
<1.0%(Sr)
IP67
-25°C - +70°C
<10%(Sr)
NO
-
160MT
RFI>10V/m / EFT>1KV / ESD>8KV (contact)
IEC 60947-5-2, Part 7.4.1 / IEC 60947-5-2, Part 7.4.2
Stainless steel

FCS1-1805A-A3S2-W	11	FCS2-1808A-A3S2-W			
FCS1-1805A-B3S2-W	12	FCS2-1808A-B3S2-W			

5.0 φ 44x0.1	
Approx.132 g	Approx.134 g

M18	
●	○
5 mm	8 mm
Stainless steel	
●	

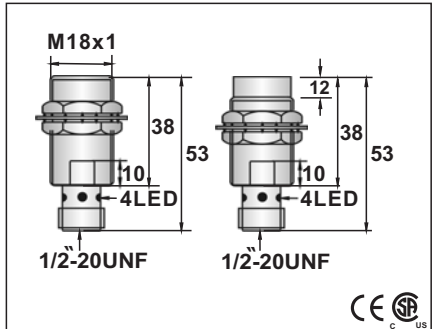


20-250VAC
-
<1.8mA
400mA
<1.8mA
5A(20ms)
5mA
<8VAC AT 400MA
<25HZ
10ms/10ms
<15%(Sr)
<1.0%(Sr)
IP67
-25°C - +70°C
<10%(Sr)
NO
-
160MT
RFI>10V/m / EFT>1KV / ESD>8KV (contact)
IEC 60947-5-2, Part 7.4.1 / IEC 60947-5-2, Part 7.4.2
Stainless steel

FCS1-1805A-A3L2-W	11	FCS2-1808A-A3L2-W			
FCS1-1805A-B3L2-W	12	FCS2-1808A-B3L2-W			

5.0 φ 44x0.1	
Approx.153 g	Approx.144 g

M 18	
●	○
5 mm	8 mm
Stainless steel	
●	



20-250VAC
-
<1.8mA
400mA
<1.8mA
5A(20ms)
5mA
<8VAC AT 200MA
<25HZ
10ms/10ms
<15%(Sr)
<1.0%(Sr)
IP67
-25°C - +70°C
<10%(Sr)
NO
-
160MT
RFI>10V/m / EFT>1KV / ESD>8KV (contact)
IEC 60947-5-2, Part 7.4.1 / IEC 60947-5-2, Part 7.4.2
Stainless steel

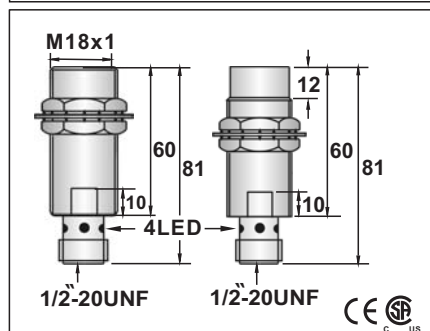
FCS1-1805A-AUS3-W	56	FCS2-1808A-AUS3-W			
FCS1-1805A-BUS3-W	56	FCS2-1808A-BUS3-W			

5.0 φ 44x0.1	
Approx.50 g	Approx.50 g

AC METAL FACE INDUCTIVE PROXIMITY SWITCH

AC METAL FACE INDUCTIVE PROXIMITY SWITCH (Teflon Coating)

M 18	
5 mm	8 mm
Stainless steel	

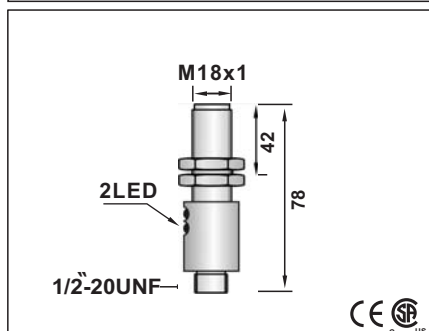


20-250VAC
-
<1.8mA
400mA
<1.8mA
5A(20ms)
5mA
<8VAC AT 200MA
<25HZ
10ms/10ms
<15%(Sr)
<1.0%(Sr)
IP67
-25°C - +70°C
<10%(Sr)
NO
-
160MT
<u>RFI>10V/m / EFT>1KV / ESD>8KV (contact)</u>
<u>IEC 60947-5-2,Part 7.4.1 / IEC 60947-5-2,Part 7.4.2</u>
Stainless steel

<u>FCS1-1805A-AUL3-W</u>	<u>56</u>	<u>FCS2-1808A-AUL3-W</u>
<u>FCS1-1805A-BUL3-W</u>	<u>56</u>	<u>FCS2-1808A-BUL3-W</u>

Approx.94 g	Approx.91 g

M 18	
5 mm	
Stainless steel	

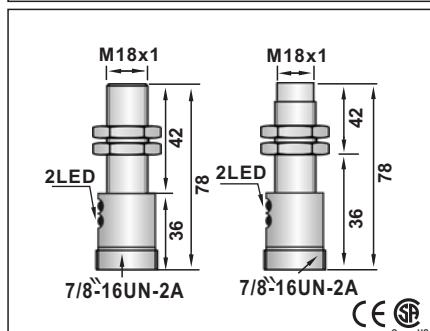


20-250VAC
-
<1.8mA
400mA
<1.8mA
5A(20ms)
5mA
<8VAC AT 200MA
<25HZ
10ms/10ms
<15%(Sr)
<1.0%(Sr)
IP67
-25°C - +70°C
<10%(Sr)
NO
-
160MT
<u>RFI>10V/m / EFT>1KV / ESD>8KV (contact)</u>
<u>IEC 60947-5-2,Part 7.4.1 / IEC 60947-5-2,Part 7.4.2</u>
Stainless steel

<u>FCS1-1805A-AUL3/2-W</u>	<u>56</u>
<u>FCS1-1805A-BUL3/2-W</u>	<u>56</u>

Approx.94 g	

M 18	
5 mm	8 mm
Stainless steel	



20-250VAC
-
<1.8mA
400mA
<1.8mA
5A(20ms)
5mA
<8VAC AT 200MA
<25HZ
10ms/10ms
<15%(Sr)
<1.0%(Sr)
IP67
-25°C - +70°C
<10%(Sr)
NO
-
160MT
<u>RFI>10V/m / EFT>1KV / ESD>8KV (contact)</u>
<u>IEC 60947-5-2,Part 7.4.1 / IEC 60947-5-2,Part 7.4.2</u>
Stainless steel

<u>FCS1-1805A-AZS3/2-W</u>	<u>65</u>	<u>FCS2-1808A-AZS3/2-W</u>
<u>FCS1-1805A-BZS3/2-W</u>	<u>65</u>	<u>FCS2-1808A-BZS3/2-W</u>

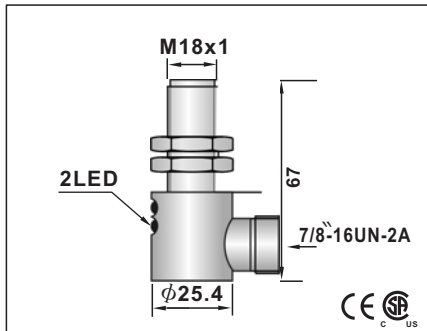
Approx.251 g	

Note:
Coming Soon : Part numbers with underline

M18、M30

AC METAL FACE INDUCTIVE PROXIMITY SWITCH (Teflon Coating)

M 18
●
5 mm
Stainless steel
●

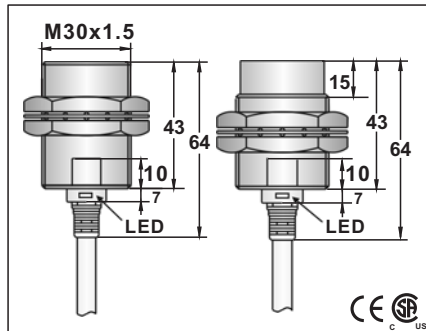


20-250VAC
-
<1.8mA
400mA
<1.8mA
5A(20ms)
5mA
<8VAC AT 200MA
<25HZ
10ms/10ms
<15%(Sr)
<1.0%(Sr)
IP67
-25 °C - +70 °C
<10%(Sr)
NO
-
160MT
<u>RFI>10V/m / EFT>1KV / ESD>8KV (contact)</u>
<u>IEC 60947-5-2,Part 7.4.1 / IEC 60947-5-2,Part 7.4.2</u>
Stainless steel

<u>FCS1-1805A-AZL3Y/2-W</u>	65
<u>FCS1-1805A-BZL3Y/2-W</u>	65

Approx.260 g

M 30	
●	○
10 mm	15 mm
Stainless steel	
●	

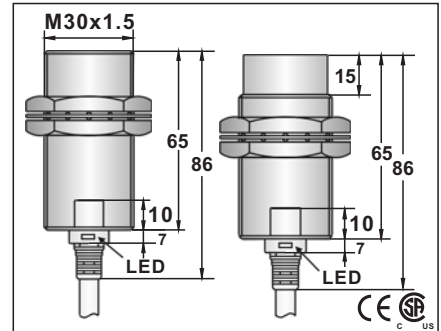


20-250VAC
-
<1.8mA
400mA
<1.8mA
5A(20ms)
5mA
<8VAC at 400MA
<25HZ
10ms/10ms
<15%(Sr)
<1.0%(Sr)
IP67
-25 °C - +70 °C
<10%(Sr)
NO
-
160MT
<u>RFI>8V/m / EFT>1KV / ESD>8KV (contact)</u>
<u>IEC 60947-5-2,Part 7.4.1 / IEC 60947-5-2,Part 7.4.2</u>
Stainless steel

<u>FCS1-3010A-A3S2-W</u>	11	<u>FCS2-3015A-A3S2-W</u>
<u>FCS1-3010A-B3S2-W</u>	12	<u>FCS2-3015A-B3S2-W</u>

5.8φ3x0.5	
Approx.217 g	Approx.207 g

M 30	
●	○
10 mm	15 mm
Stainless steel	
●	



20-250VAC
-
<1.8mA
400mA
<1.8mA
5A(20ms)
5mA
<8VAC at 400MA
<25HZ
10ms/10ms
<15%(Sr)
<1.0%(Sr)
IP67
-25 °C - +70 °C
<10%(Sr)
NO
-
160MT
<u>RFI>8V/m / EFT>1KV / ESD>8KV (contact)</u>
<u>IEC 60947-5-2,Part 7.4.1 / IEC 60947-5-2,Part 7.4.2</u>
Stainless steel

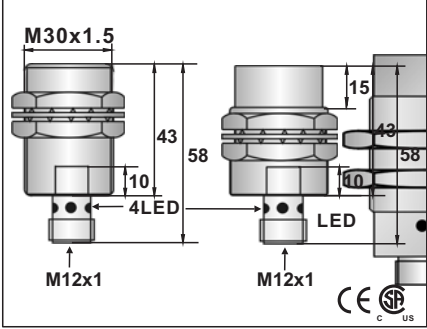
<u>FCS1-3010A-A3L2-W</u>	11	<u>FCS2-3015A-A3L2-W</u>
<u>FCS1-3010A-B3L2-W</u>	12	<u>FCS2-3015A-B3L2-W</u>

5.8φ3x0.5	
Approx.227 g	Approx.217 g

Note:
Coming Soon : Part numbers with underline

AC METAL FACE INDUCTIVE PROXIMITY SWITCH (Teflon Coating)

M 30	
●	○
10 mm	15 mm
Stainless steel	

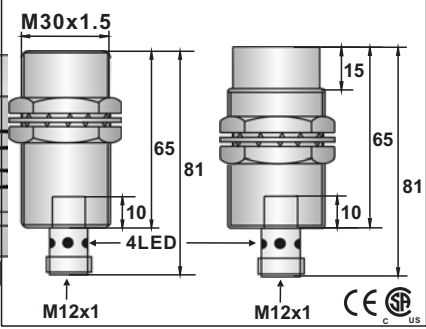


20-250VAC
-
<1.8mA
400mA
<1.8mA
5A(20ms)
5mA
<8VAC at 400MA
<25HZ
10ms/10ms
<15%(Sr)
<1.0%(Sr)
IP67
-25 °C - +70 °C
<10%(Sr)
NO
-
160MT
RFI>8V/m / EFT>1KV / ESD>8KV (contact)
IEC 60947-5-2,Part 7.4.1 / IEC 60947-5-2,Part 7.4.2
Stainless steel

<u>FCS1-3010A-ABS4-W</u>	55 <u>FCS2-3015A-ABS4-W</u>
<u>FCS1-3010A-BBS4-W</u>	55 <u>FCS2-3015A-BBS4-W</u>

Approx.111 g	Approx.121 g
--------------	--------------

M 30	
●	○
10 mm	15 mm
Stainless steel	

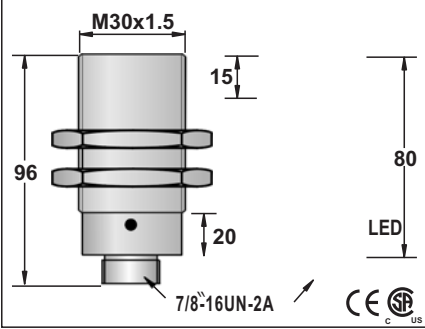


20-250VAC
-
<1.8mA
400mA
<1.8mA
5A(20ms)
5mA
<8VAC at 400MA
<25HZ
10ms/10ms
<15%(Sr)
<1.0%(Sr)
IP67
-25 °C - +70 °C
<10%(Sr)
NO
-
160MT
RFI>8V/m / EFT>1KV / ESD>8KV (contact)
IEC 60947-5-2,Part 7.4.1 / IEC 60947-5-2,Part 7.4.2
Stainless steel

<u>FCS1-3010A-ABU4-W</u>	55 <u>FCS2-3015A-ABU4-W</u>
<u>FCS1-3010A-BBU4-W</u>	55 <u>FCS2-3015A-BBU4-W</u>

Approx.187 g	Approx.179 g
--------------	--------------

M 30	
●	○
10 mm	15 mm
Stainless steel	



20-250VAC
-
<1.8mA
400mA
<1.8mA
5A(20ms)
5mA
<8VAC at 400MA
<25HZ
10ms/10ms
<15%(Sr)
<1.0%(Sr)
IP67
-25 °C - +70 °C
<10%(Sr)
NO
-
160MT
RFI>8V/m / EFT>1KV / ESD>8KV (contact)
IEC 60947-5-2,Part 7.4.1 / IEC 60947-5-2,Part 7.4.2
Stainless steel

<u>FCS1-3010A-AZL3-W</u>	65 <u>FCS2-3015A-AZL3-W</u>
<u>FCS1-3010A-BZL3-W</u>	65 <u>FCS2-3015A-BZL3-W</u>

Approx.187 g	Approx.179 g
--------------	--------------

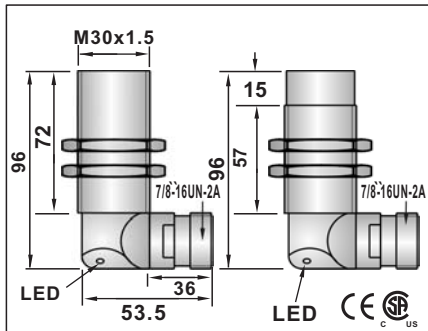
Note: Coming Soon : Part numbers with underline

AC METAL FACE
INDUCTIVE PROXIMITY SWITCH

AC METAL FACE INDUCTIVE PROXIMITY SWITCH (Teflon Coating)

AC METAL FACE INDUCTIVE PROXIMITY SWITCH

M 30	
●	○
10 mm	15 mm
Stainless steel	
●	

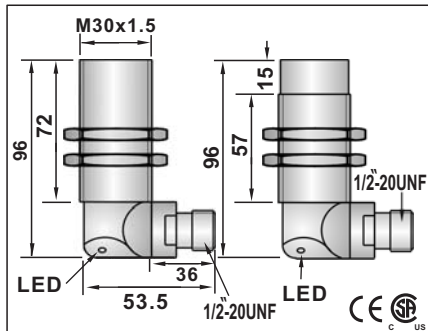


20-250VAC
-
<1.8mA
400mA
<1.8mA
5A(20ms)
5mA
<8VAC AT 400MA
<25HZ
10ms/10ms
<15%(Sr)
<1.0%(Sr)
IP67
-25°C - +70°C
<10%(Sr)
NO
-
160MT
RFI>8V/m / EFT>1KV / ESD>8KV (contact)
IEC 60947-5-2,Part 7.4.1 / IEC 60947-5-2,Part 7.4.2
Stainless steel

<u>FCS1-3010A-AZL3Y-W</u>	65	<u>FCS2-3015A-AZL3Y-W</u>
<u>FCS1-3010A-BZL3Y-W</u>	65	<u>FCS2-3015A-BZL3Y-W</u>

Approx.311 g	Approx.356 g

M 30	
●	○
10 mm	15 mm
Stainless steel	
●	

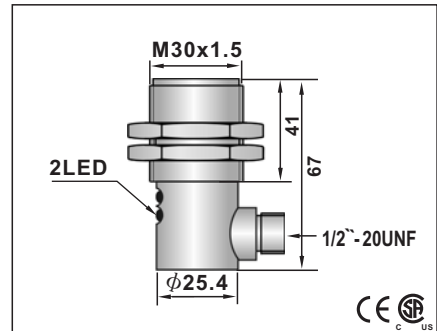


20-250VAC
-
<1.8mA
400mA
<1.8mA
5A(20ms)
5mA
<8VAC AT 400MA
<25HZ
10ms/10ms
<15%(Sr)
<1.0%(Sr)
IP67
-25°C - +70°C
<10%(Sr)
NO
-
160MT
RFI>8V/m / EFT>1KV / ESD>8KV (contact)
IEC 60947-5-2,Part 7.4.1 / IEC 60947-5-2,Part 7.4.2
Stainless steel

<u>FCS1-3010A-AUL3Y-W</u>	56	<u>FCS2-3015A-AUL3Y-W</u>
<u>FCS1-3010A-BUL3Y-W</u>	56	<u>FCS2-3015A-BUL3Y-W</u>

Approx.311 g	Approx.356 g

M 30	
●	
10 mm	
Stainless steel	
●	



20-250VAC
-
<1.8mA
400mA
<1.8mA
5A(20ms)
5mA
<8VAC AT 200MA
<25HZ
10ms/10ms
<15%(Sr)
<1.0%(Sr)
IP67
-25°C - +70°C
<10%(Sr)
NO
-
160MT
RFI>8V/m / EFT>1KV / ESD>8KV (contact)
IEC 60947-5-2,Part 7.4.1 / IEC 60947-5-2,Part 7.4.2
Stainless steel

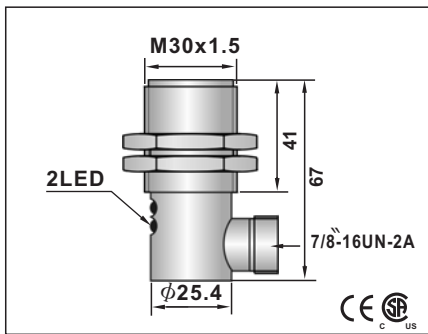
<u>FCS1-3010A-AUL3Y/2-W</u>		56
<u>FCS1-3010A-BUL3Y/2-W</u>		56

Approx.250 g	

Note:
Coming Soon : Part numbers with underline

AC METAL FACE INDUCTIVE PROXIMITY SWITCH (Teflon Coating)

M 30
●
10 mm
Stainless steel
●



20-250VAC
-
<1.8mA
400mA
<1.8mA
5A(20ms)
5mA
<8VAC AT 400MA
<25HZ
10ms/10ms
<15%(Sr)
<1.0%(Sr)
IP67
-25°C - +70°C
<10%(Sr)
NO
-
160MT
RFI>8V/m / EFT>1KV / ESD>8KV (contact)
IEC 60947-5-2,Part 7.4.1 / IEC 60947-5-2,Part 7.4.2
Stainless steel

<u>FCS1-3010A-AZL3Y/2-W</u>	65
<u>FCS1-3010A-BZL3Y/2-W</u>	65

Approx.250 g

AC METAL FACE
INDUCTIVE PROXIMITY SWITCH

Note:
Coming Soon : Part numbers with underline