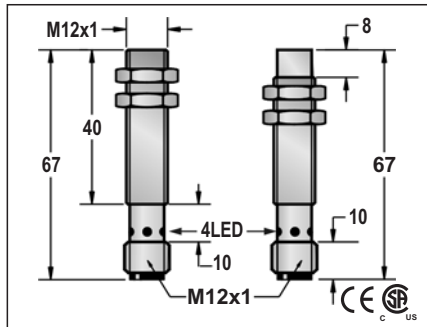


## DC INDUCTIVE PLASTIC HOUSING CONNECTOR TYPE

M 12	
●	○
2 mm	4 mm
PBT RESIN	
●	



10-30VDC or 5-36VDC or 10-55VDC	
<10%	
<10mA	<20mA
200mA	
<0.01mA	
-	
-	
<1.5V or <1.0V or <2.0V	
2KHZ	1KHZ
0.1ms/0.1ms	0.2ms/0.2ms
<15%(Sr)	
<1.0%(Sr)	
IP67	
-25 °C - +70 °C	
<10%(Sr)	
YES	
220mA	
<10ms	
RFI>3V/m / EFT>1KV / ESD>4KV (contact)	
IEC 60947-5-2,Part 7.4.1 / IEC 60947-5-2,Part 7.4.2	
POM	PBT

FCP1-1202N-ARU4	33	FCP2-1204N-ARU4
FCP1-1202N-BRU4	34	FCP2-1204N-BRU4
FCP1-1202P-ARU4	35	FCP2-1204P-ARU4
FCP1-1202P-BRU4	36	FCP2-1204P-BRU4
FCP1-1202P-SRU4	38	FCP2-1204P-SRU4
FCP1-1202N-SRU4	37	FCP2-1204N-SRU4
FCP1-1202C-ARU4	40	FCP2-1204C-ARU4
FCP1-1202C-BRU4	78	FCP2-1204C-BRU4
HCP1-1202N-ARU4	33	HCP2-1204N-ARU4
HCP1-1202N-BRU4	34	HCP2-1204N-BRU4
HCP1-1202P-ARU4	35	HCP2-1204P-ARU4
HCP1-1202P-BRU4	36	HCP2-1204P-BRU4
ICP1-1202N-ARU4	33	ICP2-1204N-ARU4
ICP1-1202N-BRU4	34	ICP2-1204N-BRU4
ICP1-1202P-ARU4	35	ICP2-1204P-ARU4
ICP1-1202P-BRU4	36	ICP2-1204P-BRU4
ICP1-1202P-SRU4	38	ICP2-1204P-SRU4
ICP1-1202N-SRU4	37	ICP2-1204N-SRU4

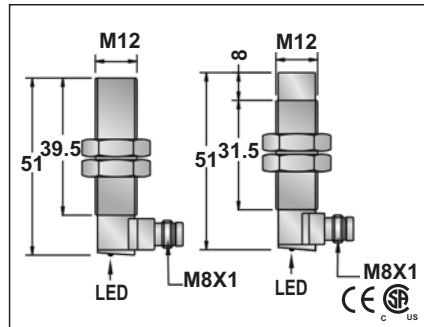
- Voltage Drop:<1.5V(10-30V),<1V(5-36V), <2V(10-55V).
- 10-55V type: No Load Current < 20mA.

Approx.14 g

Note:

Coming Soon : Part numbers with underline

M 12	
●	○
2 mm	4 mm
PBT RESIN	
●	



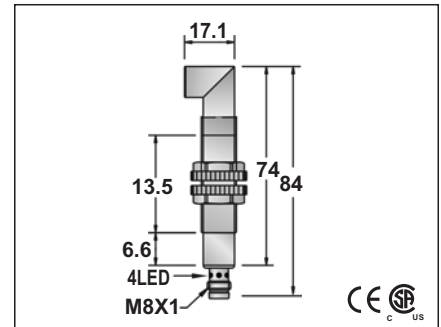
10-30VDC or 5-36VDC or 10-55VDC	
<10%	
<10mA	<20mA
200mA	
<0.01mA	
-	
-	
<1.5V or <1.0V or <2.0V	
2KHZ	1KHZ
0.1ms/0.1ms	0.2ms/0.2ms
<15%(Sr)	
<1.0%(Sr)	
IP67	
-25 °C - +70 °C	
<10%(Sr)	
YES	
220mA	
<10ms	
RFI>3V/m / EFT>1KV / ESD>4KV (contact)	
IEC 60947-5-2,Part 7.4.1 / IEC 60947-5-2,Part 7.4.2	
POM	PBT

FCP1-1202N-ACU3Y	33	FCP2-1204N-ACU3Y
FCP1-1202N-BCU3Y	34	FCP2-1204N-BCU3Y
FCP1-1202P-ACU3Y	35	FCP2-1204P-ACU3Y
FCP1-1202P-BCU3Y	36	FCP2-1204P-BCU3Y
FCP1-1202P-SCU4Y	38	FCP2-1204P-SCU4Y
FCP1-1202N-SCU4Y	37	FCP2-1204N-SCU4Y
FCP1-1202C-ACU3Y	40	FCP2-1204C-ACU3Y
FCP1-1202C-BCU3Y	78	FCP2-1204C-BCU3Y
HCP1-1202N-ACU3Y	33	HCP2-1204N-ACU3Y
HCP1-1202N-BCU3Y	34	HCP2-1204N-BCU3Y
HCP1-1202P-ACU3Y	35	HCP2-1204P-ACU3Y
HCP1-1202P-BCU3Y	36	HCP2-1204P-BCU3Y
ICP1-1202N-ACU3Y	33	ICP2-1204N-ACU3Y
ICP1-1202N-BCU3Y	34	ICP2-1204N-BCU3Y
ICP1-1202P-ACU3Y	35	ICP2-1204P-ACU3Y
ICP1-1202P-BCU3Y	36	ICP2-1204P-BCU3Y
ICP1-1202P-SCU4Y	38	ICP2-1204P-SCU4Y
ICP1-1202N-SCU4Y	37	ICP2-1204N-SCU4Y

Please see Page 18 for details and specifications of DC 2-Wire models on this page.

Approx.14 g

M 12	
●	○
2 mm	4 mm
PBT RESIN	
●	



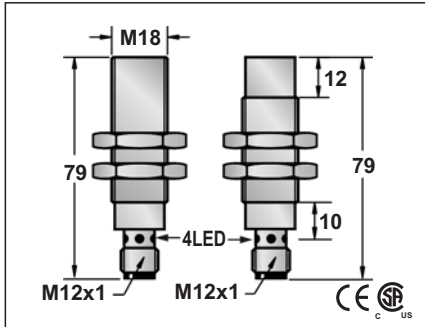
10-30VDC or 5-36VDC or 10-55VDC	
<10%	
<10mA	<20mA
200mA	
<0.01mA	
-	
-	
<1.5V or <1.0V or <2.0V	
2KHZ	1KHZ
0.1ms/0.1ms	0.2ms/0.2ms
<15%(Sr)	
<1.0%(Sr)	
IP67	
-25 °C - +70 °C	
<10%(Sr)	
YES	
220mA	
<10ms	
RFI>3V/m / EFT>1KV / ESD>4KV (contact)	
IEC 60947-5-2,Part 7.4.1 / IEC 60947-5-2,Part 7.4.2	
POM	

FCP1-1202N-ACU3Z	33	FCP2-1204N-ACU3Z
FCP1-1202N-BCU3Z	34	FCP2-1204N-BCU3Z
FCP1-1202P-ACU3Z	35	FCP2-1204P-ACU3Z
FCP1-1202P-BCU3Z	36	FCP2-1204P-BCU3Z
FCP1-1202P-SCU4Z	38	FCP2-1204P-SCU4Z
FCP1-1202N-SCU4Z	37	FCP2-1204N-SCU4Z
FCP1-1202C-ACU3Z	40	FCP2-1204C-ACU3Z
FCP1-1202C-BCU3Z	78	FCP2-1204C-BCU3Z
HCP1-1202N-ACU3Z	33	HCP2-1204N-ACU3Z
HCP1-1202N-BCU3Z	34	HCP2-1204N-BCU3Z
HCP1-1202P-ACU3Z	35	HCP2-1204P-ACU3Z
HCP1-1202P-BCU3Z	36	HCP2-1204P-BCU3Z
ICP1-1202N-ACU3Z	33	ICP2-1204N-ACU3Z
ICP1-1202N-BCU3Z	34	ICP2-1204N-BCU3Z
ICP1-1202P-ACU3Z	35	ICP2-1204P-ACU3Z
ICP1-1202P-BCU3Z	36	ICP2-1204P-BCU3Z
ICP1-1202P-SCU4Z	38	ICP2-1204P-SCU4Z
ICP1-1202N-SCU4Z	37	ICP2-1204N-SCU4Z

Approx.14 g

## DC INDUCTIVE PLASTIC HOUSING CONNECTOR TYPE

M 18	
●	○
5 mm	8 mm
PBT RESIN	
●	



10-30VDC or 5-36VDC or 10-55VDC	
<10%	
<10mA	<20mA
200mA	
<0.01mA	
-	
<1.5V or <1.0V or <2.0V	
1KHZ	500HZ
0.2ms/0.2ms	0.5ms/0.5ms
<15%	
<1.0%(Sr)	
IP67	
-25°C - +70°C	
<10%(Sr)	
YES	
220mA	
<10ms	
RFI>3V/m / EFT>1KV / ESD>4KV (contact)	
IEC 60947-5-2, Part 7.4.1 / IEC 60947-5-2, Part 7.4.2	
PBT	

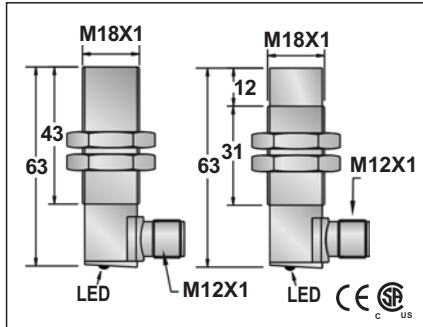
FCP1-1805N-ARU4	33	FCP2-1808N-ARU4
FCP1-1805N-BRU4	34	FCP2-1808N-BRU4
FCP1-1805P-ARU4	35	FCP2-1808P-ARU4
FCP1-1805P-BRU4	36	FCP2-1808P-BRU4
FCP1-1805P-SRU4	38	FCP2-1808P-SRU4
FCP1-1805N-SRU4	37	FCP2-1808N-SRU4
FCP1-1805C-ARU4	40	FCP2-1808C-ARU4
FCP1-1805C-BRU4	78	FCP2-1808C-BRU4
HCP1-1805N-ARU4	33	HCP2-1808N-ARU4
HCP1-1805N-BRU4	34	HCP2-1808N-BRU4
HCP1-1805P-ARU4	35	HCP2-1808P-ARU4
HCP1-1805P-BRU4	36	HCP2-1808P-BRU4
ICP1-1805N-ARU4	33	ICP2-1808N-ARU4
ICP1-1805N-BRU4	34	ICP2-1808N-BRU4
ICP1-1805P-ARU4	35	ICP2-1808P-ARU4
ICP1-1805P-BRU4	36	ICP2-1808P-BRU4
ICP1-1805P-SRU4	38	ICP2-1808P-SRU4
ICP1-1805N-SRU4	37	ICP2-1808N-SRU4

1. Voltage Drop:<1.5V(10-30V),<1V(5-36V), <2V(10-55V).
2. 10-55V type: No Load Current < 20mA.

Approx.35 g

**Note:**  
Coming Soon : Part numbers with underline

M 18	
●	○
5 mm	8 mm
PBT RESIN	
●	



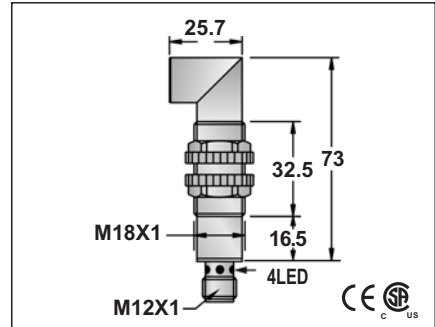
10-30VDC or 5-36VDC or 10-55VDC	
<10%	
<10mA	<20mA
200mA	
<0.01mA	
-	
<1.5V or <1.0V or <2.0V	
1KHZ	500HZ
0.2ms/0.2ms	0.5ms/0.5ms
<15%	
<1.0%(Sr)	
IP67	
-25°C - +70°C	
<10%(Sr)	
YES	
220mA	
<10ms	
RFI>3V/m / EFT>1KV / ESD>4KV (contact)	
IEC 60947-5-2, Part 7.4.1 / IEC 60947-5-2, Part 7.4.2	
PBT	

FCP1-1805N-ARU4Y	33	FCP2-1808N-ARU4Y
FCP1-1805N-BRU4Y	34	FCP2-1808N-BRU4Y
FCP1-1805P-ARU4Y	35	FCP2-1808P-ARU4Y
FCP1-1805P-BRU4Y	36	FCP2-1808P-BRU4Y
FCP1-1805P-SRU4Y	38	FCP2-1808P-SRU4Y
FCP1-1805N-SRU4Y	37	FCP2-1808N-SRU4Y
FCP1-1805C-ARU4Y	40	FCP2-1808C-ARU4Y
FCP1-1805C-BRU4Y	78	FCP2-1808C-BRU4Y
HCP1-1805N-ARU4Y	33	HCP2-1808N-ARU4Y
HCP1-1805N-BRU4Y	34	HCP2-1808N-BRU4Y
HCP1-1805P-ARU4Y	35	HCP2-1808P-ARU4Y
HCP1-1805P-BRU4Y	36	HCP2-1808P-BRU4Y
ICP1-1805N-ARU4Y	33	ICP2-1808N-ARU4Y
ICP1-1805N-BRU4Y	34	ICP2-1808N-BRU4Y
ICP1-1805P-ARU4Y	35	ICP2-1808P-ARU4Y
ICP1-1805P-BRU4Y	36	ICP2-1808P-BRU4Y
ICP1-1805P-SRU4Y	38	ICP2-1808P-SRU4Y
ICP1-1805N-SRU4Y	37	ICP2-1808N-SRU4Y

Please see Page 18 for details and specifications of DC 2-Wire models on this page.

Approx.35 g

M 18	
●	○
5 mm	8 mm
PBT RESIN	
●	



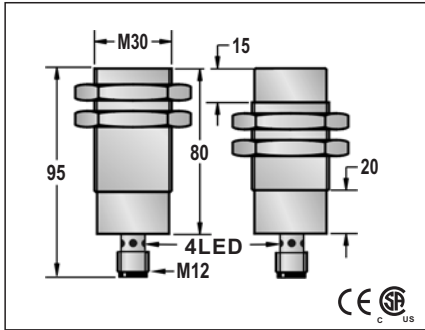
10-30VDC or 5-36VDC or 10-55VDC	
<10%	
<10mA	<20mA
200mA	
<0.01mA	
-	
<1.5V or <1.0V or <2.0V	
1KHZ	500HZ
0.2ms/0.2ms	0.5ms/0.5ms
<15%	
<1.0%(Sr)	
IP67	
-25°C - +70°C	
<10%(Sr)	
YES	
220mA	
<10ms	
RFI>3V/m / EFT>1KV / ESD>4KV (contact)	
IEC 60947-5-2, Part 7.4.1 / IEC 60947-5-2, Part 7.4.2	
PBT	

FCP1-1805N-ARU4Z	33	FCP2-1808N-ARU4Z
FCP1-1805N-BRU4Z	34	FCP2-1808N-BRU4Z
FCP1-1805P-ARU4Z	35	FCP2-1808P-ARU4Z
FCP1-1805P-BRU4Z	36	FCP2-1808P-BRU4Z
FCP1-1805P-SRU4Z	38	FCP2-1808P-SRU4Z
FCP1-1805N-SRU4Z	37	FCP2-1808N-SRU4Z
FCP1-1805C-ARU4Z	40	FCP2-1808C-ARU4Z
FCP1-1805C-BRU4Z	78	FCP2-1808C-BRU4Z
HCP1-1805N-ARU4Z	33	HCP2-1808N-ARU4Z
HCP1-1805N-BRU4Z	34	HCP2-1808N-BRU4Z
HCP1-1805P-ARU4Z	35	HCP2-1808P-ARU4Z
HCP1-1805P-BRU4Z	36	HCP2-1808P-BRU4Z
ICP1-1805N-ARU4Z	33	ICP2-1808N-ARU4Z
ICP1-1805N-BRU4Z	34	ICP2-1808N-BRU4Z
ICP1-1805P-ARU4Z	35	ICP2-1808P-ARU4Z
ICP1-1805P-BRU4Z	36	ICP2-1808P-BRU4Z
ICP1-1805P-SRU4Z	38	ICP2-1808P-SRU4Z
ICP1-1805N-SRU4Z	37	ICP2-1808N-SRU4Z

Approx.35 g

## DC INDUCTIVE PLASTIC HOUSING CONNECTOR TYPE

M 30	
●	○
10 mm	15 mm
PBT RESIN	
●	



10-30VDC or 5-36VDC or 10-55VDC	
<10%	
<10mA	<20mA
200mA	
<0.01mA	
-	
-	
<1.5V or <1.0V or <2.0V	
300HZ	150HZ
0.5ms/0.5ms	1ms/1ms
<15%(Sr)	
<1.0%(Sr)	
IP67	
-25 °C - +70 °C	
<10%(Sr)	
YES	
220mA	
<10ms	
RFI>3V/m / EFT>1KV / ESD>4KV (contact)	
IEC 60947-5-2,Part 7.4.1 / IEC 60947-5-2,Part 7.4.2	
PBT	

FCP1-3010N-ARU4	33	FCP2-3015N-ARU4
FCP1-3010N-BRU4	34	FCP2-3015N-BRU4
FCP1-3010P-ARU4	35	FCP2-3015P-ARU4
FCP1-3010P-BRU4	36	FCP2-3015P-BRU4
FCP1-3010P-SRU4	38	FCP2-3015P-SRU4
FCP1-3010N-SRU4	37	FCP2-3015N-SRU4
FCP1-3010C-ARU4	40	FCP2-3015C-ARU4
FCP1-3010C-BRU4	78	FCP2-3015C-BRU4
HCP1-3010N-ARU4	33	HCP2-3015N-ARU4
HCP1-3010N-BRU4	34	HCP2-3015N-BRU4
HCP1-3010P-ARU4	35	HCP2-3015P-ARU4
HCP1-3010P-BRU4	36	HCP2-3015P-BRU4
ICP1-3010N-ARU4	33	ICP2-3015N-ARU4
ICP1-3010N-BRU4	34	ICP2-3015N-BRU4
ICP1-3010P-ARU4	35	ICP2-3015P-ARU4
ICP1-3010P-BRU4	36	ICP2-3015P-BRU4
ICP1-3010P-SRU4	38	ICP2-3015P-SRU4
ICP1-3010N-SRU4	37	ICP2-3015N-SRU4

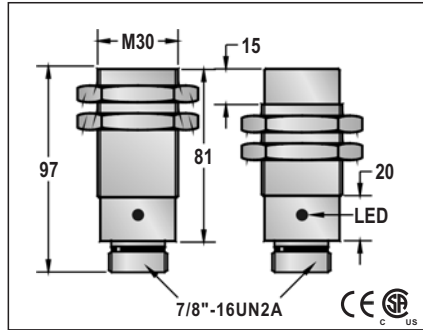
1. Voltage Drop:<1.5V (10-30V),<1V (5-36V), <2V (10-55V).
2. 10-55V type: No Load Current < 20mA.

Approx.120 g

Note:

Coming Soon : Part numbers with underline

M 30	
●	○
10 mm	15 mm
PBT RESIN	
●	



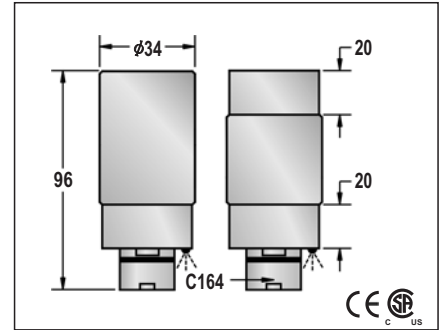
10-30VDC or 5-36VDC or 10-55VDC	
<10%	
<10mA	<20mA
200mA	
<0.01mA	
-	
-	
<1.5V or <1.0V or <2.0V	
300HZ	150HZ
0.5ms/0.5ms	1ms/1ms
<15%(Sr)	
<1.0%(Sr)	
IP67	
-25 °C - +70 °C	
<10%(Sr)	
YES	
220mA	
<10ms	
RFI>3V/m / EFT>1KV / ESD>4KV (contact)	
IEC 60947-5-2,Part 7.4.1 / IEC 60947-5-2,Part 7.4.2	
PBT	

FCP1-3010N-AZU4	41	FCP2-3015N-AZU4
FCP1-3010N-BZU4	42	FCP2-3015N-BZU4
FCP1-3010P-AZU4	43	FCP2-3015P-AZU4
FCP1-3010P-BZU4	44	FCP2-3015P-BZU4
FCP1-3010P-SZU4	46	FCP2-3015P-SZU4
FCP1-3010N-SZU4	45	FCP2-3015N-SZU4
FCP1-3010C-AZU4	47	FCP2-3015C-AZU4
FCP1-3010C-BZU4	79	FCP2-3015C-BZU4
HCP1-3010N-AZU4	41	HCP2-3015N-AZU4
HCP1-3010N-BZU4	42	HCP2-3015N-BZU4
HCP1-3010P-AZU4	43	HCP2-3015P-AZU4
HCP1-3010P-BZU4	44	HCP2-3015P-BZU4
ICP1-3010N-AZU4	41	ICP2-3015N-AZU4
ICP1-3010N-BZU4	42	ICP2-3015N-BZU4
ICP1-3010P-AZU4	43	ICP2-3015P-AZU4
ICP1-3010P-BZU4	44	ICP2-3015P-BZU4
ICP1-3010P-SZU4	46	ICP2-3015P-SZU4
ICP1-3010N-SZU4	45	ICP2-3015N-SZU4

Please see Page 18 for details and specifications of DC 2-Wire models on this page.

Approx.120 g

φ34	
●	○
15 mm	20 mm
PBT RESIN	
●	



10-30VDC or 5-36VDC or 10-55VDC	
<10%	
<10mA	<20mA
200mA	
<0.01mA	
-	
-	
<1.5V or <1.0V or <2.0V	
300HZ	150HZ
0.5ms/0.5ms	1ms/1ms
<15%(Sr)	
<1.0%(Sr)	
IP67	
-25 °C - +70 °C	
<10%(Sr)	
YES	
220mA	
<10ms	
RFI>3V/m / EFT>1KV / ESD>4KV (contact)	
IEC 60947-5-2,Part 7.4.1 / IEC 60947-5-2,Part 7.4.2	
PBT	

FCP1-D3415N-AYU5	49	FCP2-D3420N-AYU5
FCP1-D3415N-BYU5	50	FCP2-D3420N-BYU5
FCP1-D3415P-AYU5	51	FCP2-D3420P-AYU5
FCP1-D3415P-BYU5	52	FCP2-D3420P-BYU5
FCP1-D3415P-SYU5	54	FCP2-D3420P-SYU5
FCP1-D3415N-SYU5	53	FCP2-D3420N-SYU5
FCP1-D3415C-AYU5	48	FCP2-D3420C-AYU5
FCP1-D3415C-BYU5	80	FCP2-D3420C-BYU5
HCP1-D3415N-AYU5	49	HCP2-D3420N-AYU5
HCP1-D3415N-BYU5	50	HCP2-D3420N-BYU5
HCP1-D3415P-AYU5	51	HCP2-D3420P-AYU5
HCP1-D3415P-BYU5	52	HCP2-D3420P-BYU5
ICP1-D3415N-AYU5	49	ICP2-D3420N-AYU5
ICP1-D3415N-BYU5	50	ICP2-D3420N-BYU5
ICP1-D3415P-AYU5	51	ICP2-D3420P-AYU5
ICP1-D3415P-BYU5	52	ICP2-D3420P-BYU5
ICP1-D3415P-SYU5	54	ICP2-D3420P-SYU5
ICP1-D3415N-SYU5	53	ICP2-D3420N-SYU5

Approx.162 g