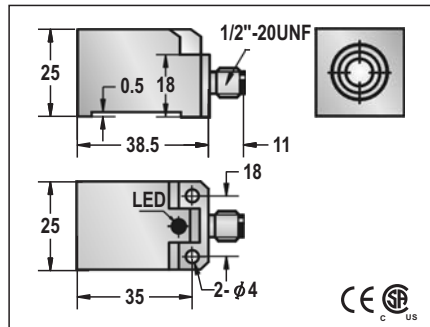




## AC INDUCTIVE PROXIMITY SWITCH SQUARE CONNECTOR TYPE

AC INDUCTIVE PROXIMITY SWITCH  
SQUARE CONNECTOR TYPE

Q25s
●
10 mm
PBT RESIN
●



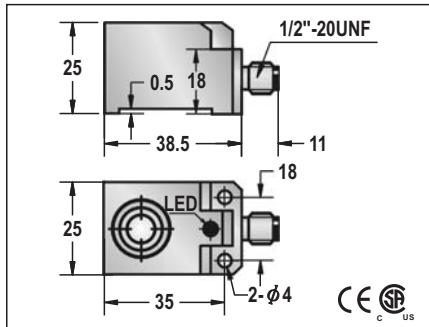
20-250VAC
-
<1.8mA
400mA
1.8mA
5A(20ms)
5mA
<8VAC AT 400MA
<25HZ
10ms/10ms
<15%(Sr)
<1.0%(Sr)
IP67
-25 °C - +70 °C
<10%(Sr)
-
-
-
RFI>3V/m / EFT>1KV / ESD>4KV (contact)
IEC 60947-5-2,Part 7.4.1 / IEC 60947-5-2,Part 7.4.2
PBT

<u>FQP1-2510A-AUS3F</u>	58
<u>FQP1-2510A-BUS3F</u>	58

TYPE: \*\*\*\*.\*\*\*\*\*S\*\*  
 └ AC type short body  
 no have S.C.P.

Approx.80 g

Q25s
●
10 mm
PBT RESIN
●

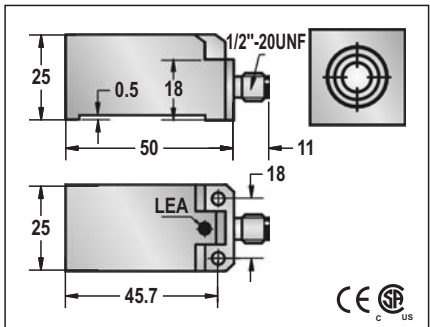


20-250VAC
-
<1.8mA
400mA
1.8mA
5A(20ms)
5mA
<8VAC AT 400MA
<25HZ
10ms/10ms
<15%(Sr)
<1.0%(Sr)
IP67
-25 °C - +70 °C
<10%(Sr)
-
-
-
RFI>3V/m / EFT>1KV / ESD>4KV (contact)
IEC 60947-5-2,Part 7.4.1 / IEC 60947-5-2,Part 7.4.2
PBT

<u>FQP1-2510A-AUS3T</u>	58
<u>FQP1-2510A-BUS3T</u>	58

Approx.80 g

Q25
●
10 mm
PBT RESIN
●



20-250VAC
-
<1.8mA
400mA
1.8mA
5A(20ms)
5mA
<8VAC AT 400MA
<25HZ
10ms/10ms
<15%(Sr)
<1.0%(Sr)
IP67
-25 °C - +70 °C
<10%(Sr)
-
-
-
RFI>3V/m / EFT>1KV / ESD>4KV (contact)
IEC 60947-5-2,Part 7.4.1 / IEC 60947-5-2,Part 7.4.2
PBT

<u>FQP1-2510A-AUL3F</u>	58
<u>FQP1-2510A-BUL3F</u>	58

Approx.90 g

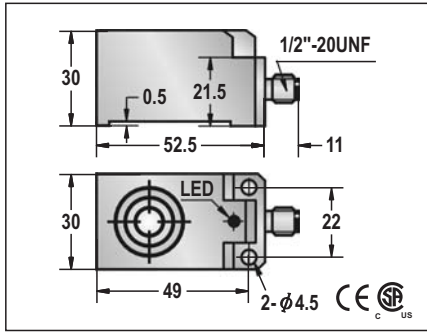
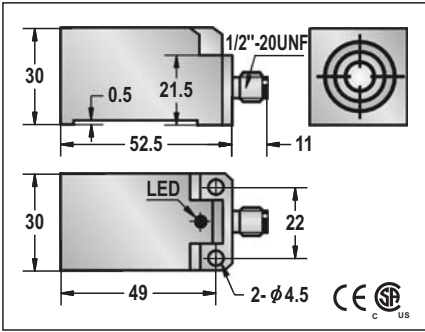
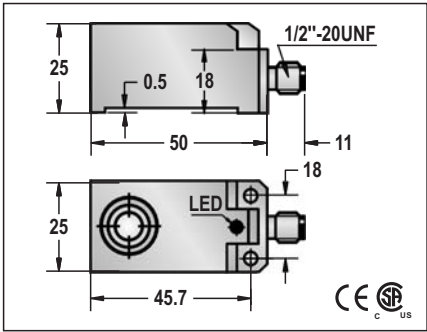
Note:  
 Coming Soon : Part numbers with underline

AC INDUCTIVE PROXIMITY SWITCH SQUARE CONNECTOR TYPE

Q25
●
10 mm
PBT RESIN
●

Q30	
●	○
10 mm	15 mm
PBT RESIN	
●	

Q30	
●	○
10 mm	15 mm
PBT RESIN	
●	



20-250VAC
-
<1.8mA
400mA
1.8mA
5A(20ms)
5mA
<8VAC AT 400MA
<25HZ
10ms/10ms
<15%(Sr)
<1.0%(Sr)
IP67
-25°C - +70°C
<10%(Sr)
-
-
-
RFI>3V/m / EFT>1KV / ESD>4KV (contact)
IEC 60947-5-2,Part 7.4.1 / IEC 60947-5-2,Part 7.4.2
PBT

20-250VAC
-
<1.8mA
400mA
1.8mA
5A(20ms)
5mA
<8VAC AT 400MA
<25HZ
10ms/10ms
<15%(Sr)
<1.0%(Sr)
IP67
-25°C - +70°C
<10%(Sr)
-
-
-
RFI>3V/m / EFT>1KV / ESD>4KV (contact)
IEC 60947-5-2,Part 7.4.1 / IEC 60947-5-2,Part 7.4.2
PBT

20-250VAC
-
<1.8mA
400mA
1.8mA
5A(20ms)
5mA
<8VAC AT 400MA
<25HZ
10ms/10ms
<15%(Sr)
<1.0%(Sr)
IP67
-25°C - +70°C
<10%(Sr)
-
-
-
RFI>3V/m / EFT>1KV / ESD>4KV (contact)
IEC 60947-5-2,Part 7.4.1 / IEC 60947-5-2,Part 7.4.2
PBT

<u>FQP1-2510A-AUL3T</u>	58
<u>FQP1-2510A-BUL3T</u>	58

<u>FQP1-3010A-AUL3F</u>	58	<u>FQP2-3015A-AUL3F</u>
<u>FQP1-3010A-BUL3F</u>	58	<u>FQP2-3015A-BUL3F</u>

<u>FQP1-3010A-AUL3T</u>	58	<u>FQP2-3015A-AUL3T</u>
<u>FQP1-3010A-BUL3T</u>	58	<u>FQP2-3015A-BUL3T</u>

Approx.90 g

Approx.120 g

Approx.120 g

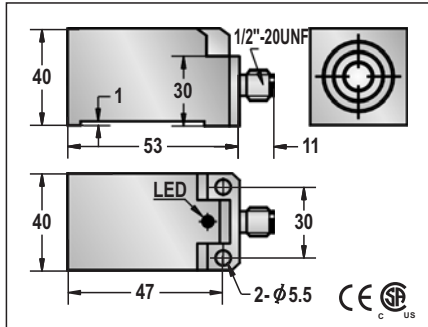
Note:  
Coming Soon : Part numbers with underline

# Q40、Q30x45x12

## AC INDUCTIVE PROXIMITY SWITCH SQUARE CONNECTOR TYPE

AC INDUCTIVE PROXIMITY SWITCH SQUARE CONNECTOR TYPE

Q40	
●	○
15 mm	30 mm
PBT RESIN	
●	

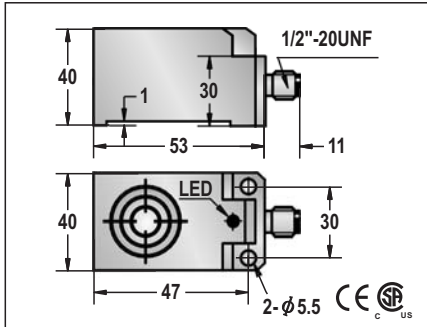


20-250VAC	
-	
<1.8mA	
400mA	
1.8mA	
5A(20ms)	
5mA	
<8VAC AT 400MA	
<25HZ	
10ms/10ms	
<15%(Sr)	
<1.0%(Sr)	
IP67	
-25°C - +70°C	
<10%(Sr)	
-	
-	
-	
RFI>3V/m / EFT>1KV / ESD>4KV (contact)	
IEC 60947-5-2,Part 7.4.1 / IEC 60947-5-2,Part 7.4.2	
PBT	

<u>FQP1-4515A-AUL3F</u>	58	<u>FQP2-4530A-AUL3F</u>
<u>FQP1-4515A-BUL3F</u>	58	<u>FQP2-4530A-BUL3F</u>

Approx.155 g

Q40	
●	○
15 mm	30 mm
PBT RESIN	
●	

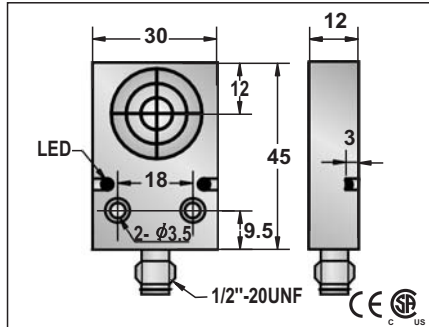


20-250VAC	
-	
<1.8mA	
400mA	
1.8mA	
5A(20ms)	
5mA	
<8VAC AT 400MA	
<25HZ	
10ms/10ms	
<15%(Sr)	
<1.0%(Sr)	
IP67	
-25°C - +70°C	
<10%(Sr)	
-	
-	
-	
RFI>3V/m / EFT>1KV / ESD>4KV (contact)	
IEC 60947-5-2,Part 7.4.1 / IEC 60947-5-2,Part 7.4.2	
PBT	

<u>FQP1-4015A-AUL3T</u>	58	<u>FQP2-4030A-AUL3T</u>
<u>FQP1-4015A-BUL3T</u>	58	<u>FQP2-4030A-BUL3T</u>

Approx.155 g

Q30x45x12	
●	○
10 mm	15 mm
PBT RESIN	
●	



20-250VAC	
-	
<1.8mA	
400mA	
1.8mA	
5A(20ms)	
5mA	
<8VAC AT 400MA	
<25HZ	
10ms/10ms	
<15%(Sr)	
<1.0%(Sr)	
IP67	
-25°C - +70°C	
<10%(Sr)	
-	
-	
-	
RFI>3V/m / EFT>1KV / ESD>4KV (contact)	
IEC 60947-5-2,Part 7.4.1 / IEC 60947-5-2,Part 7.4.2	
PBT	

<u>FQP1-3110A-AUL3T</u>	58	<u>FQP2-3115A-AUL3T</u>
<u>FQP1-3110A-BUL3T</u>	58	<u>FQP2-3115A-BUL3T</u>

Approx.65 g

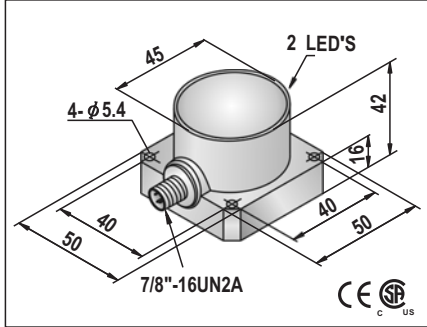
Note: Coming Soon : Part numbers with underline



## AC INDUCTIVE PROXIMITY SWITCH SQUARE CONNECTOR TYPE

AC INDUCTIVE PROXIMITY SWITCH SQUARE CONNECTOR TYPE

Q50s
○
20 mm
PBT RESIN
●

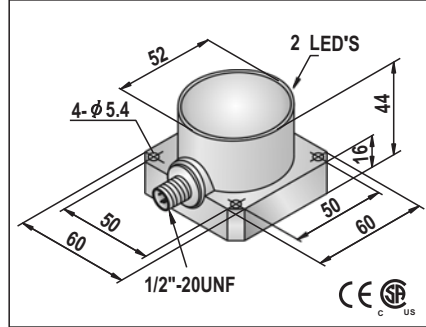


20-250VAC
-
<1.8mA
400mA
1.8mA
5A(20ms)
5mA
<8VAC AT 400MA
<25HZ
10ms/10ms
<15%(Sr)
<1.0%(Sr)
IP67
-25°C - +70°C
<10%(Sr)
-
-
-
RFI>3V/m / EFT>1KV / ESD>4KV (contact)
IEC 60947-5-2,Part 7.4.1 / IEC 60947-5-2,Part 7.4.2
PBT

<u>FQP2-5020A-AZS2T</u>	66
<u>FQP2-5020A-BZS2T</u>	66
<u>FQP2-5020A-CZS4T</u>	69

Approx.85 g
-------------

Q60s
○
30 mm
PBT RESIN
●

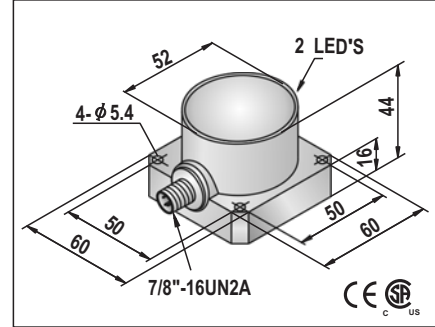


20-250VAC
-
<1.8mA
400mA
1.8mA
5A(20ms)
5mA
<8VAC AT 400MA
<25HZ
10ms/10ms
<15%(Sr)
<1.0%(Sr)
IP67
-25°C - +70°C
<10%(Sr)
-
-
-
RFI>3V/m / EFT>1KV / ESD>4KV (contact)
IEC 60947-5-2,Part 7.4.1 / IEC 60947-5-2,Part 7.4.2
PBT

<u>FQP2-6030A-AUS3T</u>	58
<u>FQP2-6030A-BUS3T</u>	58
<u>FQP2-6030A-CUS5T</u>	62

Approx.85 g
-------------

Q60s
○
30 mm
PBT RESIN
●



20-250VAC
-
<1.8mA
400mA
1.8mA
5A(20ms)
5mA
<8VAC AT 400MA
<25HZ
10ms/10ms
<15%(Sr)
<1.0%(Sr)
IP67
-25°C - +70°C
<10%(Sr)
-
-
-
RFI>3V/m / EFT>1KV / ESD>4KV (contact)
IEC 60947-5-2,Part 7.4.1 / IEC 60947-5-2,Part 7.4.2
PBT

<u>FQP2-6030A-AZS2T</u>	66
<u>FQP2-6030A-BZS2T</u>	66
<u>FQP2-6030A-CZS4T</u>	69

Approx.85 g
-------------

**Note**  
 Coming Soon: Part numbers with underline  
 In Preparation: Part numbers with a line through the middle

