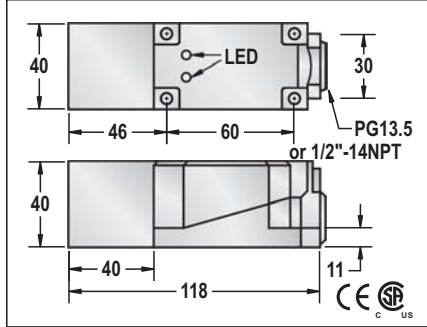


LONG SENSING DISTANCE 5 WAY ROTATABLE SENSING HEAD

LONG SENSING DISTANCE PROXIMITY SWITCH SQUARE TYPE

Q 40
○
40 mm
PBT RESIN
●

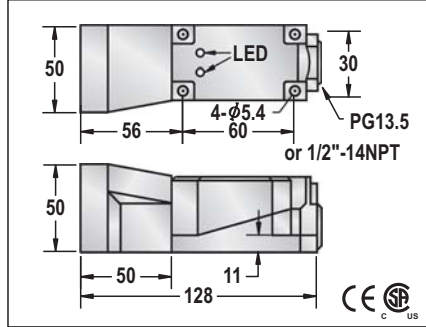


10-30VDC or 10-60VDC or 20-250VAC/DC	
<10%	
<10mA	
200mA	
<0.01mA	
-	
-	
<1.0V	
100HZ	
1ms/1ms	
<15%	
<1.0%(Sr)	
IP67	
-25 °C - +100 °C	
<10%(Sr)	
YES	
220mA	
<10ms	
RFI>3V/m / EFT>1KV / ESD>4KV (contact)	
IEC 60947-5-2,Part 7.4.1 / IEC 60947-5-2,Part 7.4.2	
PBT	

LQP2-4040N-A3U	1
LQP2-4040N-B3U	2
LQP2-4040P-A3U	3
LQP2-4040P-B3U	4
<u>LQP2-4040P-S4U</u>	6
<u>LQP2-4040N-S4U</u>	5
<u>LQP2-4040C-A2U</u>	7
<u>LQP2-4040C-B2U</u>	8
<u>LQP2-4040A-A2U</u>	9
<u>LQP2-4040A-B2U</u>	10
<u>LQP2-4040U-A2L</u>	9
<u>LQP2-4040U-B2L</u>	10

approx.242g

Q50
○
50 mm
PBT RESIN
●



10-30VDC or 10-60VDC or 20-250VAC/DC	
<10%	
<20mA	
200mA	
<0.01mA	
-	
-	
< 2 V	
100HZ	
1ms/1ms	
<15%(Sr)	
<1.0%(Sr)	
IP67	
-25 °C - +75 °C	
<10%(Sr)	
YES	
220mA	
<10ms	
RFI>3V/m / EFT>1KV / ESD>4KV (contact)	
IEC 60947-5-2,Part 7.4.1 / IEC 60947-5-2,Part 7.4.2	
PBT	

LQP2-5050N-A3U	1
LQP2-5050N-B3U	2
LQP2-5050P-A3U	3
LQP2-5050P-B3U	4
<u>LQP2-5050P-S4U</u>	6
<u>LQP2-5050N-S4U</u>	5
<u>LQP2-5050C-A2U</u>	7
<u>LQP2-5050C-B2U</u>	8
<u>LQP2-5050A-A2U</u>	9
<u>LQP2-5050A-B2U</u>	10
<u>LQP2-5050U-A2L</u>	9
<u>LQP2-5050U-B2L</u>	10

Approx.450 g

Please see Page 18 for details and specifications of DC 2-Wire models on this page.

Note:

Coming Soon : Part numbers with underline
In Preparation: Part numbers with a line through the middle