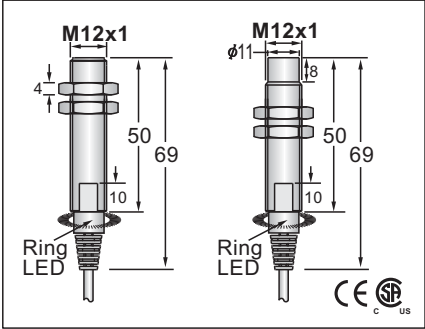


AC 2-WIRE HIGH TORQUE, STANDARD SENSING RANGE (LONG BODY)

AC 2-WIRE HIGH TORQUE, STANDARD SENSING RANGE (LONG BODY)

M12	
●	○
2.0	4.0
Nickel plated brass	
●	



20-250 V AC	
12x12x1 mm	15x15x1 mm
25 Hz	
1.7mA max.	
5... 200mA max.	
≤ 15% of sensing distance	
IP67	
Operating: -25°C to 70°C	
Operating: 35% to 95%	
<10%	
NO	
RFI>3V/m / EFT>1KV / ESD>4KV (contact)	
IEC 60947-5-2,Part 7.4.1 / IEC 60947-5-2,Part 7.4.2	
PBT	

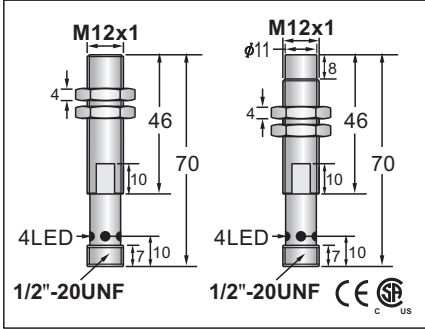
<u>OCN1-1202A-A2N2</u>	11	<u>OCN2-1204A-A2N2</u>	58
<u>OCN1-1202A-B2N2</u>	12	<u>OCN2-1204A-B2N2</u>	58

Pigtail types

Note:
The standard cable length is 300mm. Any other length can be made by request.
The relevant part number is with suffix " P12 ", for example:
OCN1-1202A-A2N0.3/P12
M12 pigtail mode

4 φ 3x0.15
Approx. 65 g

M12	
●	○
2.0	4.0
Nickel plated brass	
●	



20-250 V AC	
12x12x1 mm	15x15x1 mm
25 Hz	
1.7mA max.	
5... 200mA max.	
≤ 15% of sensing distance	
IP67	
Operating: -25°C to 70°C	
Operating: 35% to 95%	
<10%	
NO	
RFI>3V/m / EFT>1KV / ESD>4KV (contact)	
IEC 60947-5-2,Part 7.4.1 / IEC 60947-5-2,Part 7.4.2	
PBT	

<u>OCN1-1202A-AUN3</u>	58	<u>OCN2-1204A-AUN3</u>	58
<u>OCN1-1202A-BUN3</u>	58	<u>OCN2-1204A-BUN3</u>	58

1/2"-20 UNF Connector face view

1-yellow/green(⊕)
2-black
3-blue

Approx.25 g

Note:
Coming Soon : Part numbers with underline