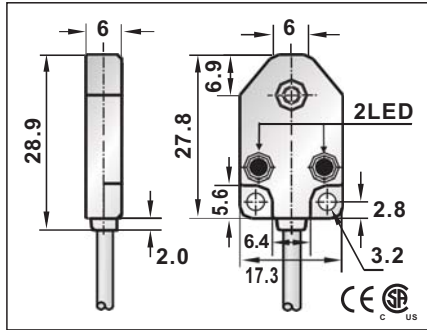


LONG SENSING DISTANCE PROXIMITY SWITCH SQUARE TYPE

Q 6
●
3 mm
PBT RESIN
●

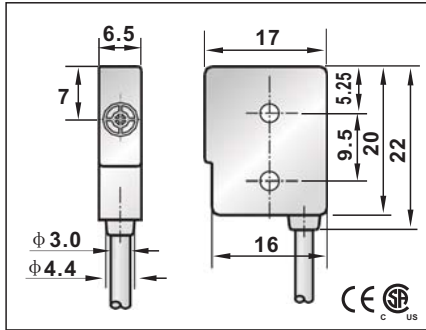


10-30VDC
<10%
<10mA
200mA
<0.01mA
-
-
<2.0V
1KHZ
0.1ms/0.1ms
<15%(Sr)
<2.0%(Sr)
IP67
-25°C - +70°C
<10%(Sr)
YES
220mA
<10ms
RFI>3V/m / EFT>1KV / ESD>4KV (contact)
IEC 60947-5-2,Part 7.4.1 / IEC 60947-5-2,Part 7.4.2
PBT

LQP1-0603N-A3U2T	1
LQP1-0603N-B3U2T	2
LQP1-0603P-A3U2T	3
LQP1-0603P-B3U2T	4
<u>LQP1-0603C-A2U2T</u>	7
<u>LQP1-0603C-B2U2T</u>	8

$3\phi 3 \times 0.15$
Approx.55 g

Q 6.5
● ○
3 mm 6 mm
PBT RESIN
●



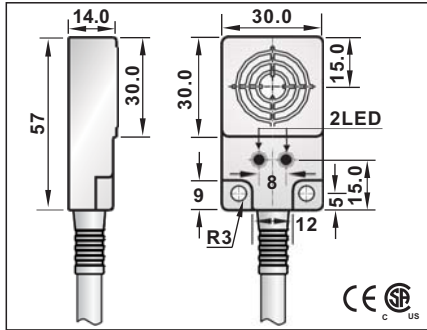
10-30VDC
<10%
<10mA
200mA
<0.01mA
-
-
<2.0V
1KHZ
0.1ms/0.1ms
<15%(Sr)
<2.0%(Sr)
IP67
-25°C - +70°C
<10%(Sr)
YES
220mA
<10ms
RFI>3V/m / EFT>1KV / ESD>4KV (contact)
IEC 60947-5-2,Part 7.4.1 / IEC 60947-5-2,Part 7.4.2
PBT

LQP1-6.503N-A3U2	1	<u>LQP2-6.506N-A3U2</u>
LQP1-6.503N-B3U2	2	<u>LQP2-6.506N-B3U2</u>
LQP1-6.503P-A3U2	3	<u>LQP2-6.506P-A3U2</u>
LQP1-6.503P-B3U2	4	<u>LQP2-6.506P-B3U2</u>
<u>LQP1-6.503C-A2U2</u>	7	<u>LQP2-6.506C-A2U2</u>
<u>LQP1-6.503C-B2U2</u>	8	<u>LQP2-6.506C-B2U2</u>

$3\phi 3 \times 0.15$
Approx.80 g

Please see Page 18 for details and specifications of DC 2-Wire models on this page.

Q 14
●
22 mm
PBT RESIN
●



10-30VDC or 20-250VDC/AC
<10%
<10mA
200mA
<0.01mA
-
-
<2.0V
500HZ
0.5ms/0.5ms
<15%(Sr)
<2.0%(Sr)
IP67
-25°C - +70°C
<10%(Sr)
YES
220mA
<10ms
RFI>3V/m / EFT>1KV / ESD>4KV (contact)
IEC 60947-5-2,Part 7.4.1 / IEC 60947-5-2,Part 7.4.2
PBT

LQP1-1422N-A3U2T	1
LQP1-1422N-B3U2T	2
LQP1-1422P-A3U2T	3
LQP1-1422P-B3U2T	4
<u>LQP1-1422C-A2U2T</u>	7
<u>LQP1-1422C-B2U2T</u>	8
<u>LQP1-1422U-A2L2</u>	11
<u>LQP1-1422U-B2L2</u>	12

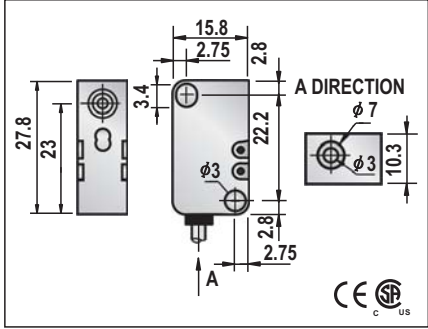
$4\phi 3 \times 0.15$
Approx.110 g

Note:
Coming Soon : Part numbers with underline

LONG SENSING DISTANCE PROXIMITY SWITCH SQUARE TYPE

LONG SENSING DISTANCE PROXIMITY SWITCH SQUARE TYPE

Q16x28x10	
●	○
3 mm	6 mm
PBT RESIN	
●	



10-30VDC	
<10%	
<10mA	
200mA	
<0.01mA	
-	
<2.0V	

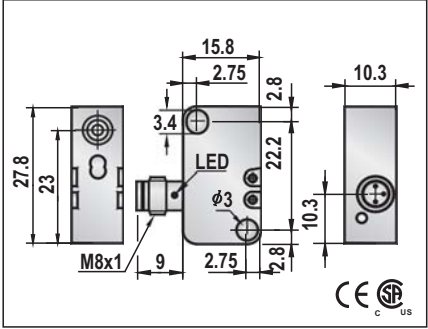
1KHZ 0.1ms/0.1ms	500HZ 0.2ms/0.2ms
<15%	
<1.0%(Sr)	
IP67	
-25° C - +70° C	
<10%(Sr)	
YES	
220mA	
<10ms	

RFI>3V/m / EFT>1KV / ESD>4KV (contact)
IEC 60947-5-2, Part 7.4.1 / IEC 60947-5-2, Part 7.4.2
PBT

LQP1-2803N-A3U2	1	LQP2-2806N-A3U2
LQP1-2803N-B3U2	2	LQP2-2806N-B3U2
LQP1-2803P-A3U2	3	LQP2-2806P-A3U2
LQP1-2803P-B3U2	4	LQP2-2806P-B3U2
LQP1-2803C-A2U2	7	LQP2-2806C-A2U2
LQP1-2803C-B2U2	8	LQP2-2806C-B2U2

4.0 φ 3x0.15
Approx.133 g

Q16x28x10	
●	○
3 mm	6 mm
PBT RESIN	
●	



10-30VDC	
<10%	
<10mA	
200mA	
<0.01mA	
-	
<2.0V	

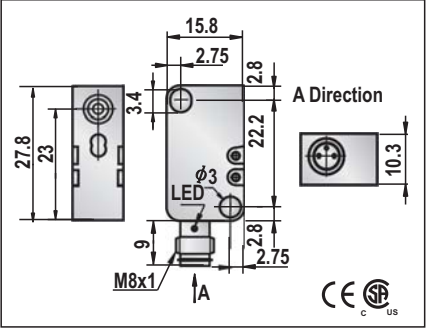
1KHZ 0.1ms/0.1ms	500HZ 0.2ms/0.2ms
<15%	
<1.0%(Sr)	
IP67	
-25° C - +70° C	
<10%(Sr)	
YES	
220mA	
<10ms	

RFI>3V/m / EFT>1KV / ESD>4KV (contact)
IEC 60947-5-2, Part 7.4.1 / IEC 60947-5-2, Part 7.4.2
PBT RESIN

LQP1-2803N-ACU3X	29	LQP2-2806N-ACU3X
LQP1-2803N-BCU3X	29	LQP2-2806N-BCU3X
LQP1-2803P-ACU3X	30	LQP2-2806P-ACU3X
LQP1-2803P-BCU3X	30	LQP2-2806P-BCU3X
LQP1-2803C-ACU3X	39	LQP2-2806C-ACU3X
LQP1-2803C-BCU3X	77	LQP2-2806C-BCU3X

Please see Page 18 for details and specifications of DC 2-Wire models on this page.	
Approx.30 g	

Q16x28x10	
●	○
3 mm	6 mm
PBT RESIN	
●	



10-30VDC	
<10%	
<10mA	
200mA	
<0.01mA	
-	
<2.0V	

1KHZ 0.1ms/0.1ms	500HZ 0.2ms/0.2ms
<15%	
<1.0%(Sr)	
IP67	
-25° C - +70° C	
<10%(Sr)	
YES	
220mA	
<10ms	

RFI>3V/m / EFT>1KV / ESD>4KV (contact)
IEC 60947-5-2, Part 7.4.1 / IEC 60947-5-2, Part 7.4.2
PBT RESIN

LQP1-2803N-ACU3	29	LQP2-2806N-ACU3
LQP1-2803N-BCU3	29	LQP2-2806N-BCU3
LQP1-2803P-ACU3	30	LQP2-2806P-ACU3
LQP1-2803P-BCU3	30	LQP2-2806P-BCU3
LQP1-2803C-ACU3	39	LQP2-2806C-ACU3
LQP1-2803C-BCU3	77	LQP2-2806C-BCU3

Approx.30 g	
-------------	--

Note:

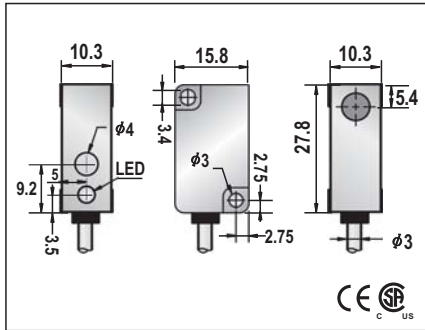
Coming Soon : Part numbers with underline
In Preparation: Part numbers with a line through the middle

Q16x28x10

LONG SENSING DISTANCE PROXIMITY SWITCH SQUARE TYPE

LONG SENSING DISTANCE PROXIMITY SWITCH SQUARE TYPE

Q16x28x10	
●	○
3 mm	6 mm
die-cast	
●	

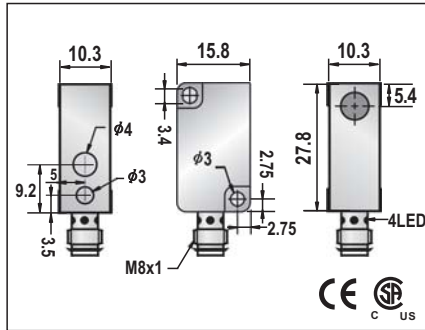


10-30VDC
<10%
<10mA
200mA
<0.01mA
-
-
<1.5V
2KHZ
0.1ms/0.1ms
<15%(Sr)
<1.0%(Sr)
IP67
-25°C - +70°C
<10%(Sr)
YES
220mA
<10ms
RFI>3V/m / EFT>1KV / ESD>4KV (contact)
IEC 60947-5-2,Part 7.4.1 / IEC 60947-5-2,Part 7.4.2
POM

<u>LQM1-2803N-A3U2</u>	1	<u>LQM2-2806N-A3U2</u>
<u>LQM1-2803N-B3U2</u>	2	<u>LQM2-2806N-B3U2</u>
<u>LQM1-2803P-A3U2</u>	3	<u>LQM2-2806P-A3U2</u>
<u>LQM1-2803P-B3U2</u>	4	<u>LQM2-2806P-B3U2</u>
<u>LQM1-2803C-A2U2</u>	7	<u>LQM2-2806C-A2U2</u>
<u>LQM1-2803C-B2U2</u>	8	<u>LQM2-2806C-B2U2</u>

3.0φ3X0.15
Approx.60 g

Q16x28x10	
●	○
3 mm	6 mm
die-cast	
●	



10-30VDC
<10%
<10mA
200mA
<0.01mA
-
-
<1.5V
2KHZ
0.1ms/0.1ms
<15%(Sr)
<1.0%(Sr)
IP67
-25°C - +70°C
<10%(Sr)
YES
220mA
<10ms
RFI>3V/m / EFT>1KV / ESD>4KV (contact)
IEC 60947-5-2,Part 7.4.1 / IEC 60947-5-2,Part 7.4.2
POM

<u>LQM1-2803N-ACU3</u>	29	<u>LQM2-2806N-ACU3</u>
<u>LQM1-2803N-BCU3</u>	29	<u>LQM2-2806N-BCU3</u>
<u>LQM1-2803P-ACU3</u>	30	<u>LQM2-2806P-ACU3</u>
<u>LQM1-2803P-BCU3</u>	30	<u>LQM2-2806P-BCU3</u>
<u>LQM1-2803C-ACU3</u>	39	<u>LQM2-2806C-ACU3</u>
<u>LQM1-2803C-BCU3</u>	77	<u>LQM2-2806C-BCU3</u>

3.0φ3X0.15
Approx.60 g

Please see Page 18 for details and specifications of DC 2-Wire models on this page.

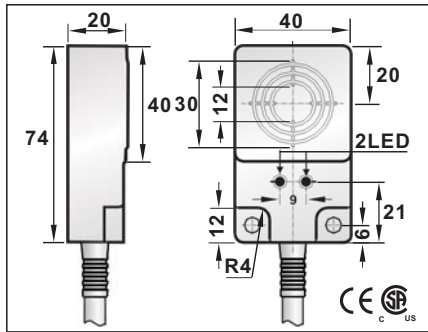
Note:
Coming Soon : Part numbers with underline

Q42、Q25x40x12

LONG SENSING DISTANCE PROXIMITY SWITCH SQUARE TYPE

LONG SENSING DISTANCE PROXIMITY SWITCH SQUARE TYPE

Q 42	
●	
30 mm	
PBT RESIN	
●	



10-30VDC and 20-250VDC/AC	
<10%	
<10mA	
200mA	
<0.01mA	
-	
-	
<1.5V	
500HZ	
0.5ms/0.5ms	
<15%(Sr)	
<1.0%(Sr)	
IP67	
-25 °C - +70 °C	
<10%(Sr)	
YES	
220mA	
<10ms	
RFI>3V/m / EFT>1KV / ESD>4KV (contact)	
IEC 60947-5-2,Part 7.4.1 / IEC 60947-5-2,Part 7.4.2	
POM	

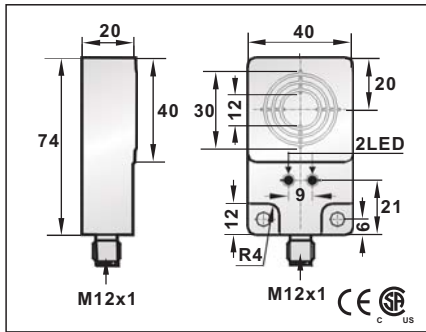
<u>LQP1-2030N-A3U2T</u>	1
<u>LQP1-2030N-B3U2T</u>	2
<u>LQP1-2030P-A3U2T</u>	3
<u>LQP1-2030P-B3U2T</u>	4
<u>LQP1-2030C-A2U2T</u>	7
<u>LQP1-2030C-B2U2T</u>	8
<u>LQP1-2030U-A2L2T</u>	11
<u>LQP1-2030U-B2L2T</u>	12

Note:
All cable type have pigtail connect mode, LQP***p
 pigtail mode

Approx.110 g

Note:
Coming Soon : Part numbers with underline

Q 42	
●	
30 mm	
PBT RESIN	
●	



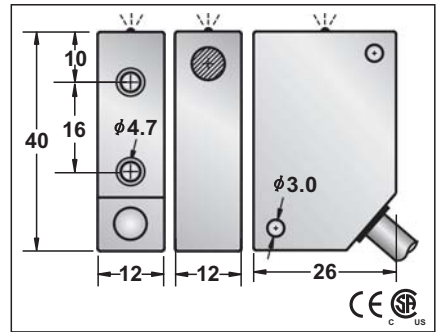
10-30VDC and 20-250VDC/AC	
<10%	
<10mA	
200mA	
<0.01mA	
-	
-	
<1.5V	
500HZ	
0.5ms/0.5ms	
<15%(Sr)	
<1.0%(Sr)	
IP67	
-25 °C - +70 °C	
<10%(Sr)	
YES	
220mA	
<10ms	
RFI>3V/m / EFT>1KV / ESD>4KV (contact)	
IEC 60947-5-2,Part 7.4.1 / IEC 60947-5-2,Part 7.4.2	
POM	

<u>LQP1-2030N-ARU4T</u>	33
<u>LQP1-2030N-BRU4T</u>	34
<u>LQP1-2030P-ARU4T</u>	35
<u>LQP1-2030P-BRU4T</u>	36
<u>LQP1-2030C-ARU4T</u>	40
<u>LQP1-2030C-BRU4T</u>	78
<u>LQP1-2030U-AUL3T</u>	56
<u>LQP1-2030U-BUL3T</u>	56

Please see Page 18 for details and specifications of DC 2-Wire models on this page.

Approx.110 g

Q25x40x12	
●	
6 mm	10 mm
PBT RESIN	
●	



10-30VDC			
<10%			
<10mA			
200mA			
<0.01mA			
-			
-			
<2.0V			
1KHZ		500HZ	
0.1ms/0.1ms		0.2ms/0.2ms	
<15%			
<1.0%(Sr)			
IP67			
-25 °C - +70 °C			
<10%(Sr)			
YES			
220mA			
<10ms			
RFI>3V/m / EFT>1KV / ESD>4KV (contact)			
IEC 60947-5-2,Part 7.4.1 / IEC 60947-5-2,Part 7.4.2			
PBT			

<u>LQP1-4006N-A3U2</u>	1	<u>LQP2-4010N-A3U2</u>
<u>LQP1-4006N-B3U2</u>	2	<u>LQP2-4010N-B3U2</u>
<u>LQP1-4006P-A3U2</u>	3	<u>LQP2-4010P-A3U2</u>
<u>LQP1-4006P-B3U2</u>	4	<u>LQP2-4010P-B3U2</u>

4.0φ 3x0.15

Approx.133 g